

# PLUG

# GCP-3495



**Description:** PLUG  
**SKU:** GCP-3495  
**OEM:** 79AX71  
**Product Group:** ENGINE PARTS  
**Product Class:** ENGINE BLOCKS & BLOCK PARTS (EXCEPT LINERS)  
**UPC Code:** 193807205218  
**Sell Pack:** 5 EA  
 (Available to buy in increments of 5)  
**Weight:** 0.16 LBS  
**Warranty:** 2 Years



**Details:**

Cup Plug  
 1-1/4in Nominal O.D.  
 5/16in Deep  
 0.06 Thick  
 Steel

**E-Catalog Pages:**

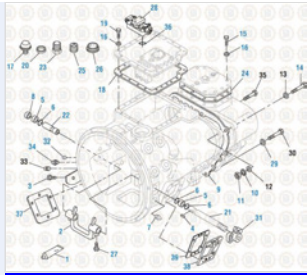
Catalog Page	Description
	<p><b>Drive Train 2016</b>                      Compound and Main Case Assembly - T2080B</p>

**Copyright © 2020 PAI Industries, Inc.**  
 All rights reserved. All content is property of PAI Industries, Inc, and may not be reproduced or redistributed in any form.

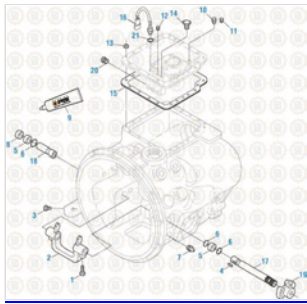
Any reference to OEM names or OEM product identification numbers/descriptions/model numbers is for identification only and does not indicate that it is an OEM part. PAI is not affiliated with Mack Truck, Inc.®, Volvo®, Fuller®, Cummins®, Eaton®, Rockwell®, Caterpillar®, Freightliner®, Hendrickson®, Kenworth®, Detroit Diesel®, International®, Peterbilt®, or Dana®. All Manufacturer's names, numbers, symbols and descriptions are used for reference only. It is not implied that any part listed is the product of these manufacturers.

## PLUG

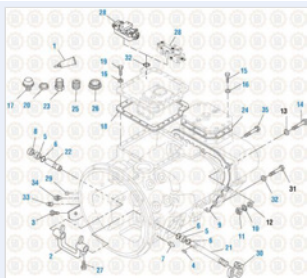
## GCP-3495

**Drive Train 2016**

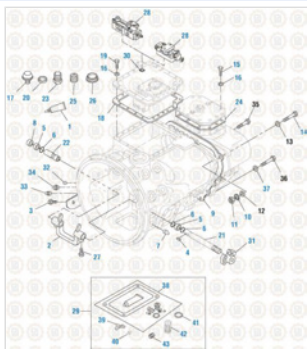
Compound and Main Case Assembly - T2080, T2090 and T2100

**Drive Train 2016**

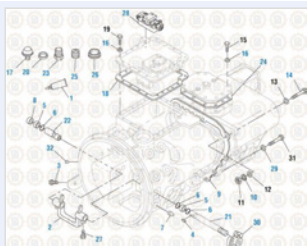
Case and Cover Assemblies - T2050

**Drive Train 2016**

Compound and Main Case Assembly - T2060 &amp; T2070

**Drive Train 2016**

Compound and Main Case Assembly - T2130 and T2180

**Drive Train 2016**

Compound and Main Case Assembly - T2110 B and D

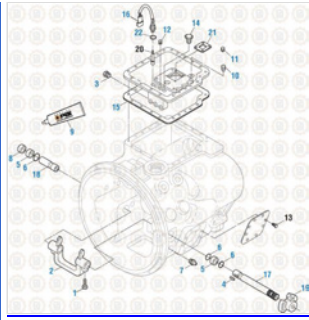
Copyright © 2020 PAI Industries, Inc.

All rights reserved. All content is property of PAI Industries, Inc. and may not be reproduced or redistributed in any form.

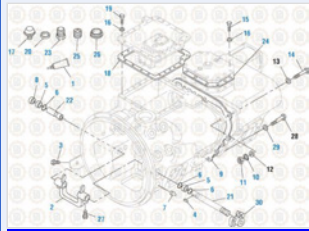
Any reference to OEM names or OEM product identification numbers/descriptions/model numbers is for identification only and does not indicate that it is an OEM part. PAI is not affiliated with Mack Truck, Inc.®, Volvo®, Fuller®, Cummins®, Eaton®, Rockwell®, Caterpillar®, Freightliner®, Hendrickson®, Kenworth®, Detroit Diesel®, International®, Peterbilt®, or Dana®. All Manufacturer's names, numbers, symbols and descriptions are used for reference only. It is not implied that any part listed is the product of these manufacturers.

## PLUG

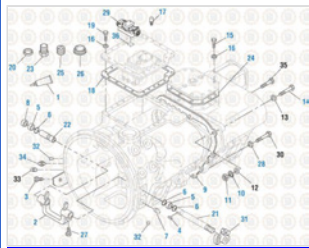
## GCP-3495



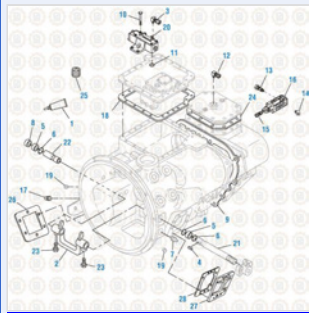
**Drive Train 2016**  
Case and Cover Assembly - T2060A



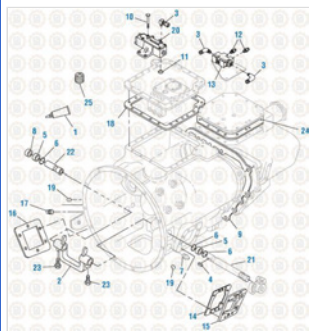
**Drive Train 2016**  
Compound & Main Case Assembly - T2070 A & C



**Drive Train 2016**  
Compound & Main Case Assembly - T2070 B & D



**Drive Train 2016**  
T309L and T310 - Compound and Main Case Assembly - T309L and T310



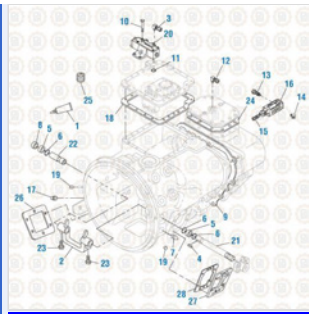
**Drive Train 2016**  
Compound and Main Case Assembly - T313L and T318L

Copyright © 2020 PAI Industries, Inc.  
All rights reserved. All content is property of PAI Industries, Inc, and may not be reproduced or redistributed in any form.

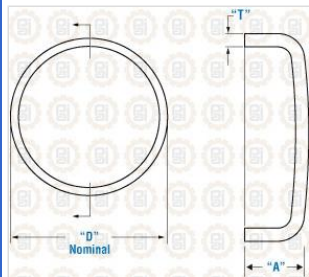
Any reference to OEM names or OEM product identification numbers/descriptions/model numbers is for identification only and does not indicate that it is an OEM part. PAI is not affiliated with Mack Truck, Inc.®, Volvo®, Fuller®, Cummins®, Eaton®, Rockwell®, Caterpillar®, Freightliner®, Hendrickson®, Kenworth®, Detroit Diesel®, International®, Peterbilt®, or Dana®. All Manufacturer's names, numbers, symbols and descriptions are used for reference only. It is not implied that any part listed is the product of these manufacturers.

# PLUG

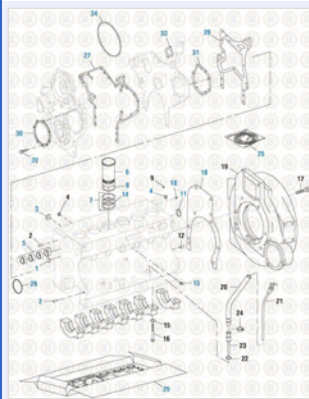
# GCP-3495



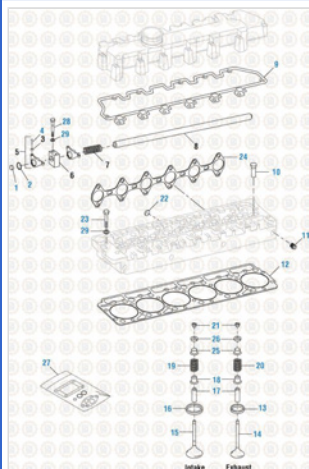
**Drive Train 2016**  
Compound and Main Case Assembly - T310M



**Hardware**  
Cup Plugs



**International Engine 2019**  
Cylinder Block Components - DT-466 (Early to 1993)



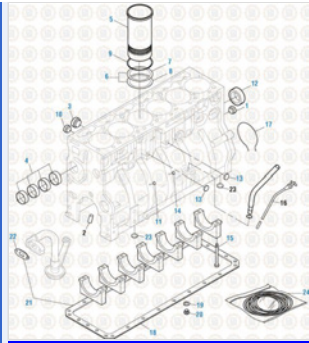
**International Engine 2019**  
Cylinder Head Components - DT-466 / DT-530 (1993-1997 PLN)

Copyright © 2020 PAI Industries, Inc.  
All rights reserved. All content is property of PAI Industries, Inc. and may not be reproduced or redistributed in any form.

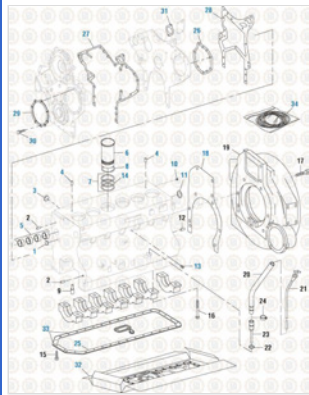
Any reference to OEM names or OEM product identification numbers/descriptions/model numbers is for identification only and does not indicate that it is an OEM part. PAI is not affiliated with Mack Truck, Inc.®, Volvo®, Fuller®, Cummins®, Eaton®, Rockwell®, Caterpillar®, Freightliner®, Hendrickson®, Kenworth®, Detroit Diesel®, International®, Peterbilt®, or Dana®. All Manufacturer's names, numbers, symbols and descriptions are used for reference only. It is not implied that any part listed is the product of these manufacturers.

## PLUG

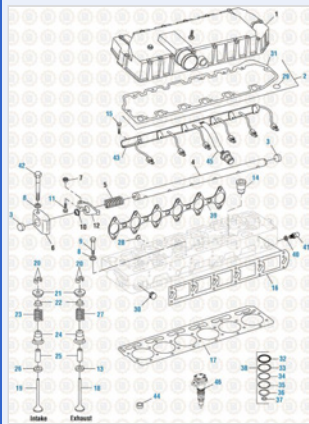
## GCP-3495



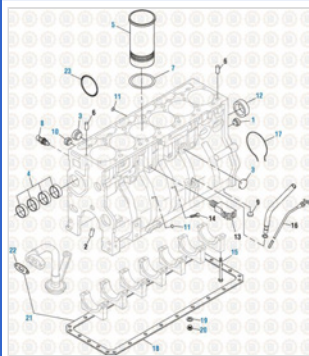
**International Engine 2019**  
Cylinder Block Components - DT-466 / DT-530 (1993-1997 PLN)



**International Engine 2019**  
Cylinder Block Components - DT-360 Series



**International Engine 2019**  
Cylinder Head Components - DT-466E / DT-530E (2000-2003)



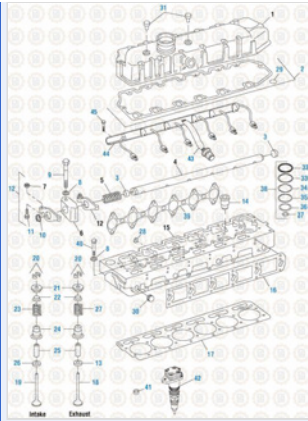
**International Engine 2019**  
Cylinder Block Components - DT-466E / DT-530E (2000-2003)

Copyright © 2020 PAI Industries, Inc.  
All rights reserved. All content is property of PAI Industries, Inc. and may not be reproduced or redistributed in any form.

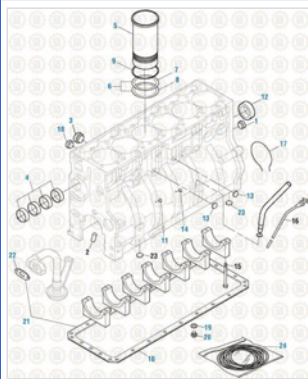
Any reference to OEM names or OEM product identification numbers/descriptions/model numbers is for identification only and does not indicate that it is an OEM part. PAI is not affiliated with Mack Truck, Inc.®, Volvo®, Fuller®, Cummins®, Eaton®, Rockwell®, Caterpillar®, Freightliner®, Hendrickson®, Kenworth®, Detroit Diesel®, International®, Peterbilt®, or Dana®. All Manufacturer's names, numbers, symbols and descriptions are used for reference only. It is not implied that any part listed is the product of these manufacturers.

## PLUG

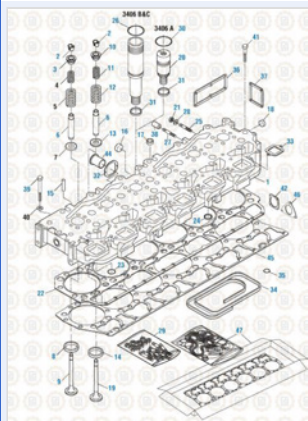
## GCP-3495



**International Engine 2019**  
Cylinder Head Components - DT-466E / DT-530E (1993-1999 HEUI)



**International Engine 2019**  
Cylinder Block Components - DT-466E / DT-530E (1993-1999 HEUI)



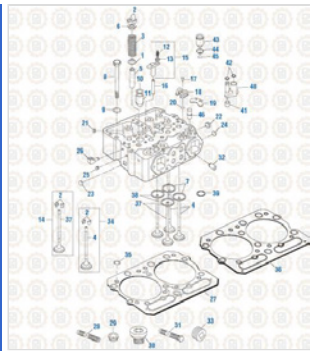
**Caterpillar Engine 2019**  
Cylinder Head - 3400 Series

Copyright © 2020 PAI Industries, Inc.  
All rights reserved. All content is property of PAI Industries, Inc. and may not be reproduced or redistributed in any form.

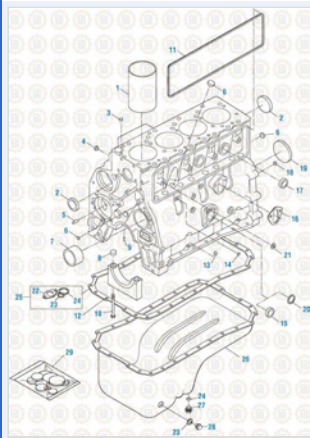
Any reference to OEM names or OEM product identification numbers/descriptions/model numbers is for identification only and does not indicate that it is an OEM part. PAI is not affiliated with Mack Truck, Inc.®, Volvo®, Fuller®, Cummins®, Eaton®, Rockwell®, Caterpillar®, Freightliner®, Hendrickson®, Kenworth®, Detroit Diesel®, International®, Peterbilt®, or Dana®. All Manufacturer's names, numbers, symbols and descriptions are used for reference only. It is not implied that any part listed is the product of these manufacturers.

# PLUG

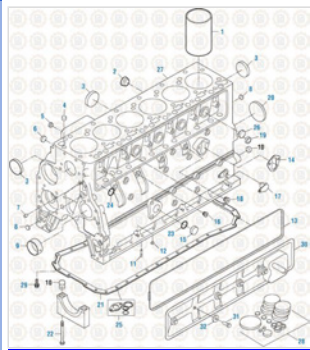
# GCP-3495



**Cummins Engine 2017**  
Cylinder Head Assemblies - 855 Series



**Cummins Engine 2017**  
Cylinder Block - 4B Series



**Cummins Engine 2017**  
Cylinder Block Components - 6B Series

**Component Of:**




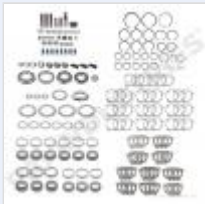

SKU	Image	Description
<a href="#">040095</a>	.	BLOCK PLUG KIT
<a href="#">040096</a>	.	BLOCK PLUG KIT

Copyright © 2020 PAI Industries, Inc.  
All rights reserved. All content is property of PAI Industries, Inc, and may not be reproduced or redistributed in any form.

Any reference to OEM names or OEM product identification numbers/descriptions/model numbers is for identification only and does not indicate that it is an OEM part. PAI is not affiliated with Mack Truck, Inc.®, Volvo®, Fuller®, Cummins®, Eaton®, Rockwell®, Caterpillar®, Freightliner®, Hendrickson®, Kenworth®, Detroit Diesel®, International®, Peterbilt®, or Dana®. All Manufacturer's names, numbers, symbols and descriptions are used for reference only. It is not implied that any part listed is the product of these manufacturers.

# PLUG

# GCP-3495

<a href="#">040107</a>		PLUG KIT
<a href="#">GBK-6565</a>		BEARING AND SEAL KIT
<a href="#">GBK-6573</a>		BEARING AND SEAL KIT
<a href="#">GBK-6637</a>		BEARING AND SEAL KIT
<a href="#">GBK-8955</a>		BEARING AND SEAL KIT
<a href="#">GBK-8957</a>		BEARING AND SEAL KIT
<a href="#">GBK-8958-500</a>		GASKET KIT
<a href="#">GBK-8963</a>		BEARING AND SEAL KIT
<a href="#">806869</a>		BEARING AND SEAL KIT
<a href="#">806871</a>		BEARING KIT
<a href="#">806872</a>		BEARING AND SEAL KIT

Cross Reference:	
Manufacturer	OEM Number
CATERPILLAR	9Y7145
CATERPILLAR	2B5558
CUMMINS	3900958

Copyright © 2020 PAI Industries, Inc.  
 All rights reserved. All content is property of PAI Industries, Inc. and may not be reproduced or redistributed in any form.

Any reference to OEM names or OEM product identification numbers/descriptions/model numbers is for identification only and does not indicate that it is an OEM part. PAI is not affiliated with Mack Truck, Inc.®, Volvo®, Fuller®, Cummins®, Eaton®, Rockwell®, Caterpillar®, Freightliner®, Hendrickson®, Kenworth®, Detroit Diesel®, International®, Peterbilt®, or Dana®. All Manufacturer's names, numbers, symbols and descriptions are used for reference only. It is not implied that any part listed is the product of these manufacturers.

## PLUG

## GCP-3495

CUMMINS	3905369
MACK	79AX71Z
MACK	79AX71
CUMMINS	216524
NAVISTAR	23623R1
CUMMINS	3007636
MACK	20704644
MACK	4103-5000295965
CATERPILLAR	3B0645

**Copyright © 2020 PAI Industries, Inc.**

All rights reserved. All content is property of PAI Industries, Inc. and may not be reproduced or redistributed in any form.

Any reference to OEM names or OEM product identification numbers/descriptions/model numbers is for identification only and does not indicate that it is an OEM part. PAI is not affiliated with Mack Truck, Inc.®, Volvo®, Fuller®, Cummins®, Eaton®, Rockwell®, Caterpillar®, Freightliner®, Hendrickson®, Kenworth®, Detroit Diesel®, International®, Peterbilt®, or Dana®. All Manufacturer's names, numbers, symbols and descriptions are used for reference only. It is not implied that any part listed is the product of these manufacturers.