

OIL COOLER

341405



Description:	OIL COOLER
SKU:	341405
OEM:	2674743
Product Group:	ENGINE PARTS
Product Class:	OIL COOLERS & RELATED
UPC Code:	193807208189
Sell Pack:	1 EA
Weight:	10.70 LBS
Package Dimensions (LxWxH):	7 x 7 x 15 inches
Warranty:	2 Years



Details:

Oil Cooler
Caterpillar 3100 / C7 Series application

E-Catalog Pages:

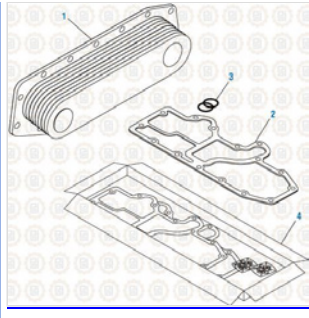
Catalog Page	Description

Copyright © 2020 PAI Industries, Inc.
All rights reserved. All content is property of PAI Industries, Inc, and may not be reproduced or redistributed in any form.

Any reference to OEM names or OEM product identification numbers/descriptions/model numbers is for identification only and does not indicate that it is an OEM part. PAI is not affiliated with Mack Truck, Inc.®, Volvo®, Fuller®, Cummins®, Eaton®, Rockwell®, Caterpillar®, Freightliner®, Hendrickson®, Kenworth®, Detroit Diesel®, International®, Peterbilt®, or Dana®. All Manufacturer's names, numbers, symbols and descriptions are used for reference only. It is not implied that any part listed is the product of these manufacturers.

OIL COOLER

341405



Caterpillar Engine 2019
Oil Cooler - 3100 / C7 Series

Cross Reference:

Manufacturer	OEM Number
CATERPILLAR	0R8132
CATERPILLAR	0R8839
CATERPILLAR	100-6270
CATERPILLAR	1006270
CATERPILLAR	187-8595
CATERPILLAR	1878595
CATERPILLAR	267-4743
CATERPILLAR	2674743
CATERPILLAR	7W5903

Copyright © 2020 PAI Industries, Inc.

All rights reserved. All content is property of PAI Industries, Inc, and may not be reproduced or redistributed in any form.

Any reference to OEM names or OEM product identification numbers/descriptions/model numbers is for identification only and does not indicate that it is an OEM part. PAI is not affiliated with Mack Truck, Inc.®, Volvo®, Fuller®, Cummins®, Eaton®, Rockwell®, Caterpillar®, Freightliner®, Hendrickson®, Kenworth®, Detroit Diesel®, International®, Peterbilt®, or Dana®. All Manufacturer's names, numbers, symbols and descriptions are used for reference only. It is not implied that any part listed is the product of these manufacturers.