

# OIL PUMP ASSEMBLY

# 341312



<b>Description:</b>	OIL PUMP ASSEMBLY
<b>SKU:</b>	341312
<b>OEM:</b>	4N8734
<b>Product Group:</b>	ENGINE PARTS
<b>Product Class:</b>	OIL PUMPS & RELATED PARTS
<b>UPC Code:</b>	193807206888
<b>Sell Pack:</b>	1 EA
<b>Weight:</b>	22.98 LBS
<b>Package Dimensions (LxWxH):</b>	15 x 8 x 7 inches
<b>Warranty:</b>	2 Years



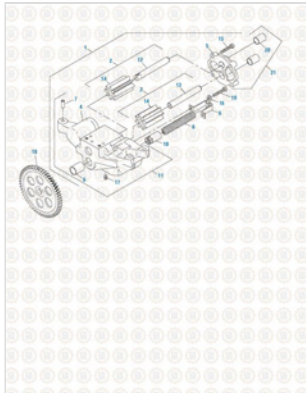
**Details:**  
 PUMP,OilIncludes Shafts (1)341321 (1)341322Screws (4)340028 (2)340037 Spring (1)341351Plunger (1)341350 Cover (1)341342Retainer (1)341342 Housing Assembly (1)341341Plug (1)EPP-3572 Washers (2)ER01750

E-Catalog Pages:	
Catalog Page	Description

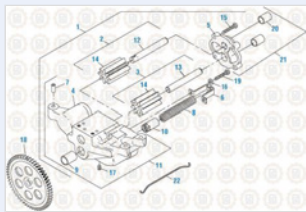
**Copyright © 2020 PAI Industries, Inc.**  
 All rights reserved. All content is property of PAI Industries, Inc, and may not be reproduced or redistributed in any form.  
 Any reference to OEM names or OEM product identification numbers/descriptions/model numbers is for identification only and does not indicate that it is an OEM part. PAI is not affiliated with Mack Truck, Inc.®, Volvo®, Fuller®, Cummins®, Eaton®, Rockwell®, Caterpillar®, Freightliner®, Hendrickson®, Kenworth®, Detroit Diesel®, International®, Peterbilt®, or Dana®. All Manufacturer's names, numbers, symbols and descriptions are used for reference only. It is not implied that any part listed is the product of these manufacturers.

# OIL PUMP ASSEMBLY

# 341312



**Caterpillar Engine 2019**  
Oil Pump - 3400 Series



**Caterpillar Engine 2019**  
Oil Pump - 3406E / C15 / C16 / C18 Series



**Water Pump, Thermostats and Oil Pump 2017**  
3406E, C15 Series Oil Pumps - Oil Pumps

**Consists Of:**

SKU	OEM	Image	Description	Quantity
<a href="#">341321</a>	1W7238	.	OIL PUMP DRIVE SHAFT	1
<a href="#">341322</a>	1W7239	.	OIL PUMP DRIVE SHAFT	1
<a href="#">340028</a>	2P3205	.	SCREW	4
<a href="#">341351</a>	2S2760		RELIEF SPRING	1
<a href="#">341350</a>	6N1931	.	RELIEF PLUNGER	1
<a href="#">341342</a>	7C6498		OIL PUMP COVER	1

Copyright © 2020 PAI Industries, Inc.  
All rights reserved. All content is property of PAI Industries, Inc. and may not be reproduced or redistributed in any form.

Any reference to OEM names or OEM product identification numbers/descriptions/model numbers is for identification only and does not indicate that it is an OEM part. PAI is not affiliated with Mack Truck, Inc.®, Volvo®, Fuller®, Cummins®, Eaton®, Rockwell®, Caterpillar®, Freightliner®, Hendrickson®, Kenworth®, Detroit Diesel®, International®, Peterbilt®, or Dana®. All Manufacturer's names, numbers, symbols and descriptions are used for reference only. It is not implied that any part listed is the product of these manufacturers.

## OIL PUMP ASSEMBLY

341312

<a href="#">341352</a>	9Y1792		SPRING RETAINER	1
<a href="#">341341</a>	2369918		OIL PUMP HOUSING ASSEMBLY	1
<a href="#">EPP-3572</a>	49AX242		PLUG	1
<a href="#">340037</a>	1M0644		SCREW	2
<a href="#">ER01750</a>	1229-K-1597		WASHER	6

## Cross Reference:

Manufacturer	OEM Number
CATERPILLAR	0R9449
CATERPILLAR	4N8734
CATERPILLAR	0R9057
CATERPILLAR	1614113
CATERPILLAR	161-4113

Copyright © 2020 PAI Industries, Inc.

All rights reserved. All content is property of PAI Industries, Inc. and may not be reproduced or redistributed in any form.

Any reference to OEM names or OEM product identification numbers/descriptions/model numbers is for identification only and does not indicate that it is an OEM part. PAI is not affiliated with Mack Truck, Inc.®, Volvo®, Fuller®, Cummins®, Eaton®, Rockwell®, Caterpillar®, Freightliner®, Hendrickson®, Kenworth®, Detroit Diesel®, International®, Peterbilt®, or Dana®. All Manufacturer's names, numbers, symbols and descriptions are used for reference only. It is not implied that any part listed is the product of these manufacturers.