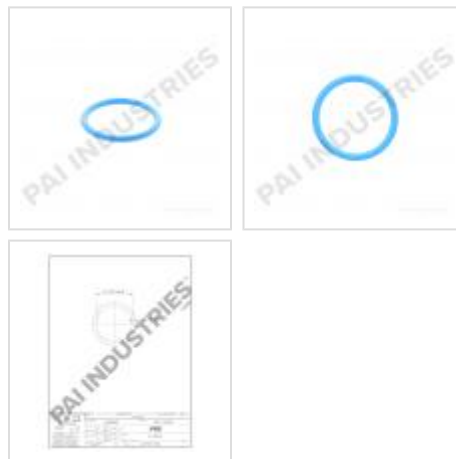


O-RING

321294



Description: O-RING
SKU: 321294
OEM: 3P0650
Product Group: ENGINE PARTS
Product Class: OIL COOLERS & RELATED
UPC Code: 193807080846
Sell Pack: 10 EA
 (Available to buy in increments of 10)
Weight: 0.16 LBS
Warranty: 2 Years



Details:

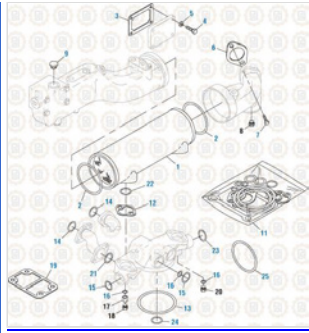
O-Ring, 0.21 in C/S x 1.975 in ID
 5.33 mm C/S x 50.16 mm ID, Viton 75, Series # -329

E-Catalog Pages:

Catalog Page	Description
	O-Rings AS568A
	Caterpillar Engine 2019 Oil Cooler - 3400 Series

O-RING

321294



Caterpillar Engine 2019
 Oil Cooler - 3406E / C15 / C16 / C18 Series

Component Of:

SKU	Image	Description
321411		OIL COOLER GASKET KIT
331334		GASKET KIT
331389		OIL COOLER GASKET KIT
331390		OIL COOLER GASKET KIT
331391		OIL COOLER GASKET KIT

Copyright © 2020 PAI Industries, Inc.
 All rights reserved. All content is property of PAI Industries, Inc. and may not be reproduced or redistributed in any form.

Any reference to OEM names or OEM product identification numbers/descriptions/model numbers is for identification only and does not indicate that it is an OEM part. PAI is not affiliated with Mack Truck, Inc.®, Volvo®, Fuller®, Cummins®, Eaton®, Rockwell®, Caterpillar®, Freightliner®, Hendrickson®, Kenworth®, Detroit Diesel®, International®, Peterbilt®, or Dana®. All Manufacturer's names, numbers, symbols and descriptions are used for reference only. It is not implied that any part listed is the product of these manufacturers.

O-RING

321294

331392		<p>OIL COOLER GASKET KIT</p>
331395		<p>OIL COOLER GASKET KIT</p>
331413		<p>OIL COOLER GASKET KIT</p>
331431		<p>OIL COOLER GASKET KIT</p>
331512		<p>OIL COOLER GASKET KIT</p>
331546		<p>OIL COOLER GASKET KIT</p>

Cross Reference:	
Manufacturer	OEM Number
CATERPILLAR	113-5304
CATERPILLAR	3P-0650
CATERPILLAR	3P0650
CATERPILLAR	1135304