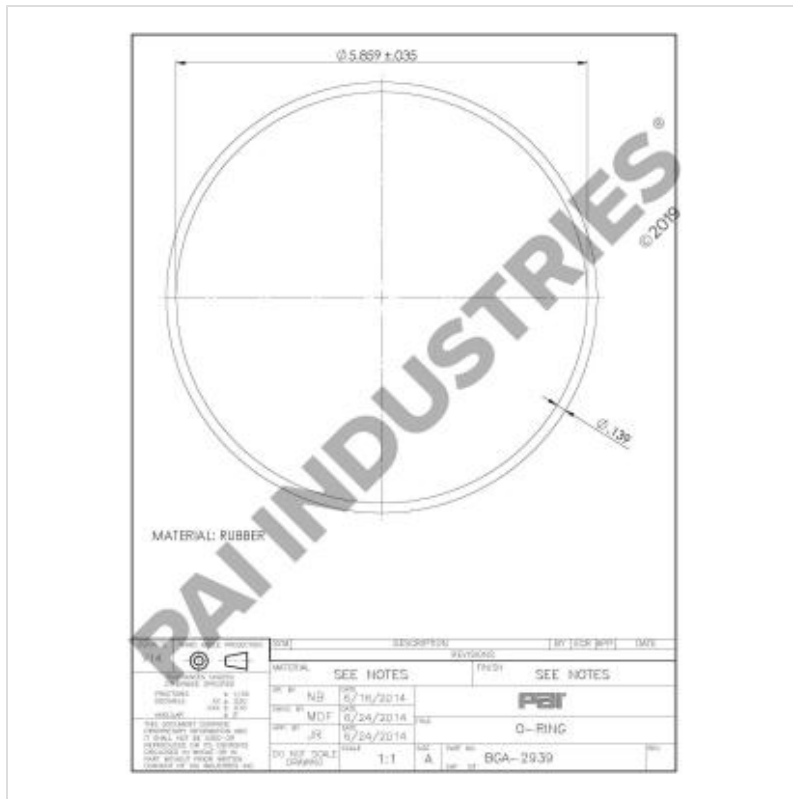


O-RING

BGA-2939



Description: O-RING
SKU: BGA-2939
OEM: 56AX542
Product Group: DIFFERENTIAL
Product Class: BEARING, SEAL & GASKET KITS
UPC Code: 193807200077
Sell Pack: 10 EA
 (Available to buy in increments of 10)
Weight: 0.16 LBS
Warranty: 2 Years

Details:

O-Ring
 0.139in C/S x 5.859in I.D.
 3.53mm C/S x 148.82mm I.D.
 Polyacrylate
 70 Durometer
 Series # -257

E-Catalog Pages:

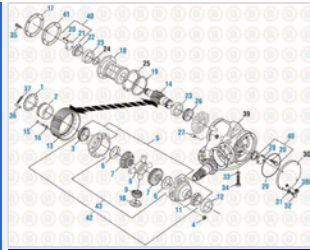
Catalog Page	Description
	<p>Drive Train 2016 CRDP 200/202</p>

Copyright © 2020 PAI Industries, Inc.
 All rights reserved. All content is property of PAI Industries, Inc. and may not be reproduced or redistributed in any form.

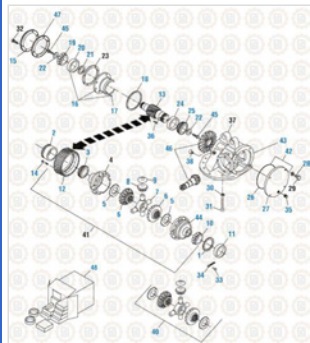
Any reference to OEM names or OEM product identification numbers/descriptions/model numbers is for identification only and does not indicate that it is an OEM part. PAI is not affiliated with Mack Truck, Inc.®, Volvo®, Fuller®, Cummins®, Eaton®, Rockwell®, Caterpillar®, Freightliner®, Hendrickson®, Kenworth®, Detroit Diesel®, International®, Peterbilt®, or Dana®. All Manufacturer's names, numbers, symbols and descriptions are used for reference only. It is not implied that any part listed is the product of these manufacturers.

O-RING

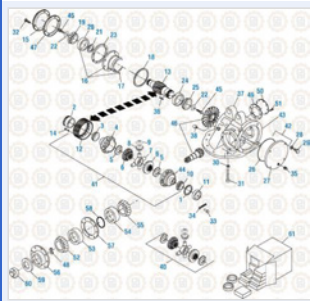
BGA-2939



Drive Train 2016
CRD 201/203




Drive Train 2016
CRD 150



PAI Mack & Volvo Applications 2018
Components - CRD 151

O-Rings
AS568A

Component Of:		
SKU	Image	Description
EM71030	.	SEAL AND BEARING KIT
ERK-2858	.	OIL FILTER O-RING KIT
ERK-2859	.	O-RING KIT
BBK-7103		BEARING AND SEAL KIT
BBK-7119	.	BEARING AND SEAL KIT
BBK-7139	.	BEARING AND SEAL KIT

Copyright © 2020 PAI Industries, Inc.
All rights reserved. All content is property of PAI Industries, Inc. and may not be reproduced or redistributed in any form.

Any reference to OEM names or OEM product identification numbers/descriptions/model numbers is for identification only and does not indicate that it is an OEM part. PAI is not affiliated with Mack Truck, Inc.®, Volvo®, Fuller®, Cummins®, Eaton®, Rockwell®, Caterpillar®, Freightliner®, Hendrickson®, Kenworth®, Detroit Diesel®, International®, Peterbilt®, or Dana®. All Manufacturer's names, numbers, symbols and descriptions are used for reference only. It is not implied that any part listed is the product of these manufacturers.

O-RING

BGA-2939

[806865](#)



BEARING AND SEAL KIT

[806866](#)



BEARING KIT

Cross Reference:

Manufacturer	OEM Number
MACK	22686448
MACK	21112781
MACK	56AX542
VOLVO	22686448

Copyright © 2020 PAI Industries, Inc.
 All rights reserved. All content is property of PAI Industries, Inc, and may not be reproduced or redistributed in any form.

Any reference to OEM names or OEM product identification numbers/descriptions/model numbers is for identification only and does not indicate that it is an OEM part. PAI is not affiliated with Mack Truck, Inc.®, Volvo®, Fuller®, Cummins®, Eaton®, Rockwell®, Caterpillar®, Freightliner®, Hendrickson®, Kenworth®, Detroit Diesel®, International®, Peterbilt®, or Dana®. All Manufacturer's names, numbers, symbols and descriptions are used for reference only. It is not implied that any part listed is the product of these manufacturers.