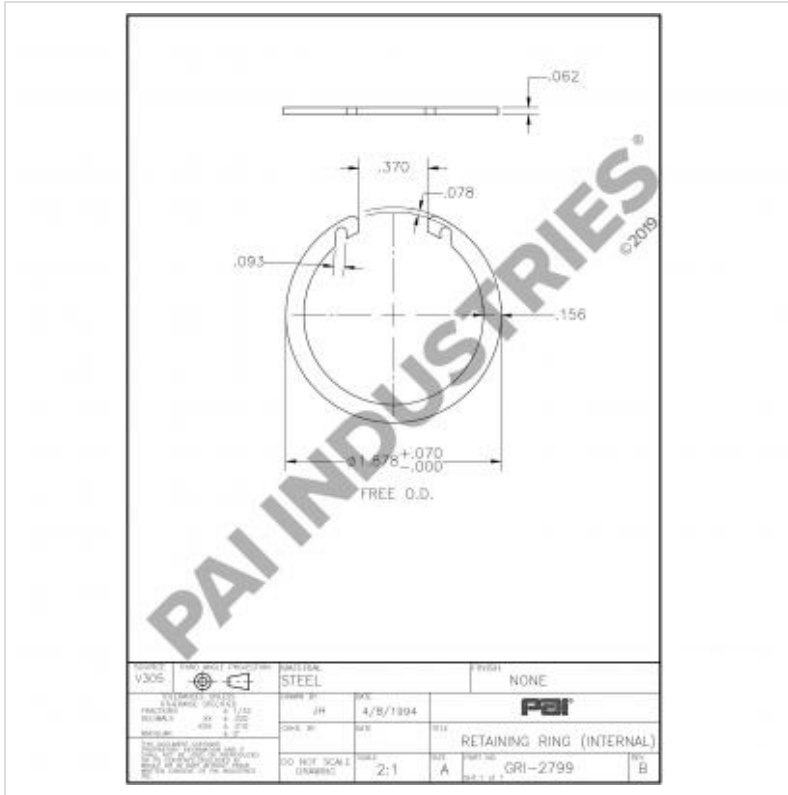


RETAINING RING

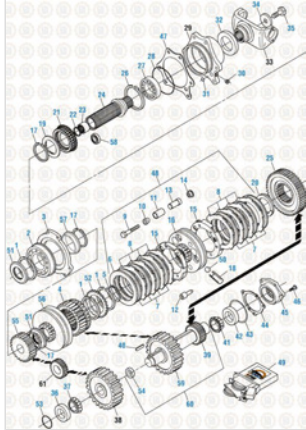
GRI-2799



Description: RETAINING RING
SKU: GRI-2799
OEM: 97AX265
Product Group: TRANSMISSION
Product Class: GEARS, SHAFTS, CLUTCHES
UPC Code: 193807197216
Sell Pack: 5 EA
 (Available to buy in increments of 5)
Weight: 0.07 LBS
Warranty: 2 Years

Details:
 Retaining Ring
 1.878in Free O.D. x 0.156in Width x 0.062in Thickness
 47.70mm Free O.D. x 3.96mm Width x 1.57mm Thickness

E-Catalog Pages:

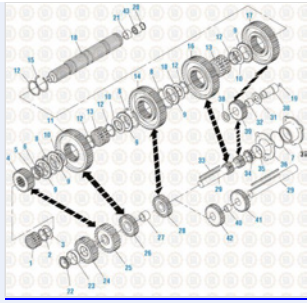
Catalog Page	Description
	Drive Train 2016 Rear Case Components - T2080B

Copyright © 2020 PAI Industries, Inc.
 All rights reserved. All content is property of PAI Industries, Inc. and may not be reproduced or redistributed in any form.

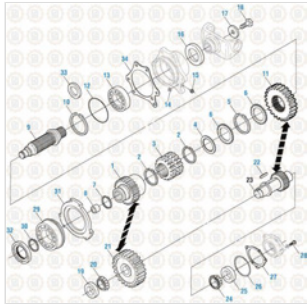
Any reference to OEM names or OEM product identification numbers/descriptions/model numbers is for identification only and does not indicate that it is an OEM part. PAI is not affiliated with Mack Truck, Inc.®, Volvo®, Fuller®, Cummins®, Eaton®, Rockwell®, Caterpillar®, Freightliner®, Hendrickson®, Kenworth®, Detroit Diesel®, International®, Peterbilt®, or Dana®. All Manufacturer's names, numbers, symbols and descriptions are used for reference only. It is not implied that any part listed is the product of these manufacturers.

RETAINING RING

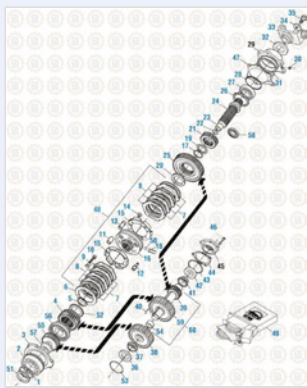
GRI-2799



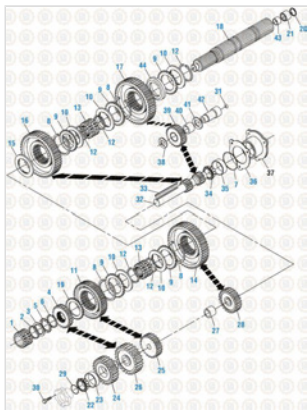
Drive Train 2016
Main Case Components - T2080, T2090 and T2100



Drive Train 2016
Rear Case Components - T2060 & T2070



Drive Train 2016
Rear Case Components - T2130 and T2180



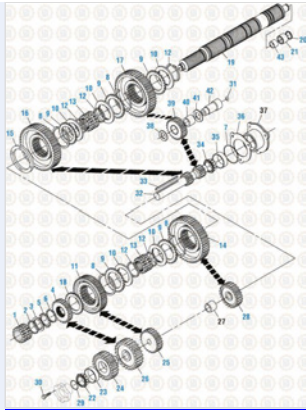
Drive Train 2016
Main Case Components - T2060 & T2070

Copyright © 2020 PAI Industries, Inc.
All rights reserved. All content is property of PAI Industries, Inc. and may not be reproduced or redistributed in any form.

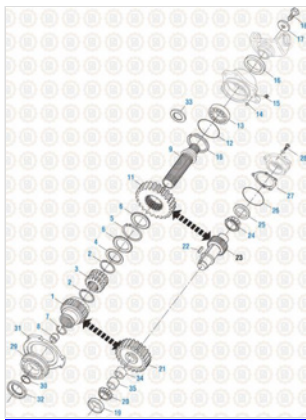
Any reference to OEM names or OEM product identification numbers/descriptions/model numbers is for identification only and does not indicate that it is an OEM part. PAI is not affiliated with Mack Truck, Inc.®, Volvo®, Fuller®, Cummins®, Eaton®, Rockwell®, Caterpillar®, Freightliner®, Hendrickson®, Kenworth®, Detroit Diesel®, International®, Peterbilt®, or Dana®. All Manufacturer's names, numbers, symbols and descriptions are used for reference only. It is not implied that any part listed is the product of these manufacturers.

RETAINING RING

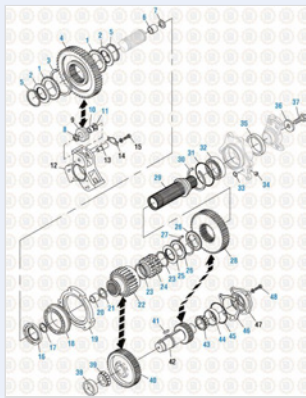
GRI-2799



Drive Train 2016
Main Case Components - T2070 A & C



Drive Train 2016
Rear Case Components - T2070 A & C



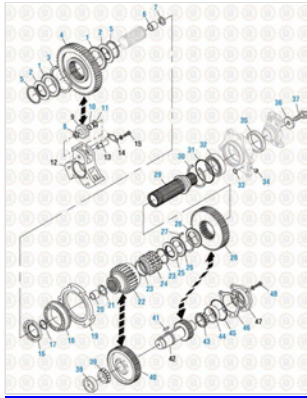
Drive Train 2016
Rear Case Components - T2070 B & D

Copyright © 2020 PAI Industries, Inc.
All rights reserved. All content is property of PAI Industries, Inc. and may not be reproduced or redistributed in any form.

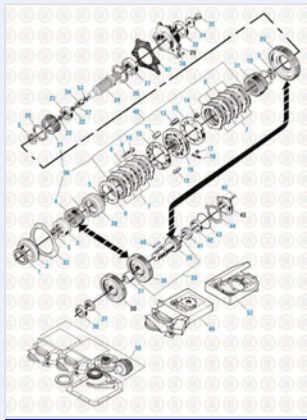
Any reference to OEM names or OEM product identification numbers/descriptions/model numbers is for identification only and does not indicate that it is an OEM part. PAI is not affiliated with Mack Truck, Inc.®, Volvo®, Fuller®, Cummins®, Eaton®, Rockwell®, Caterpillar®, Freightliner®, Hendrickson®, Kenworth®, Detroit Diesel®, International®, Peterbilt®, or Dana®. All Manufacturer's names, numbers, symbols and descriptions are used for reference only. It is not implied that any part listed is the product of these manufacturers.

RETAINING RING

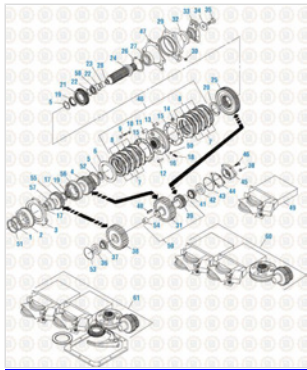
GRI-2799



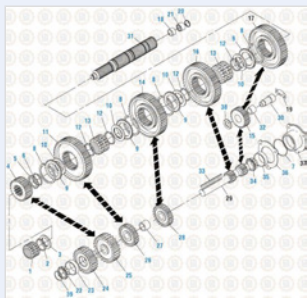
Drive Train 2016
Rear Case Components - T2070 B & D



Drive Train 2016
Rear Case Components - T309L and T310



Drive Train 2016
Rear Case Components - T313L and T318L



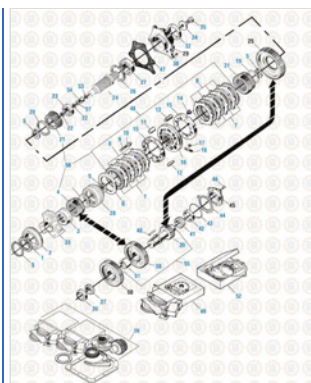
Drive Train 2016
Main Case Components - T310M

Copyright © 2020 PAI Industries, Inc.
All rights reserved. All content is property of PAI Industries, Inc. and may not be reproduced or redistributed in any form.

Any reference to OEM names or OEM product identification numbers/descriptions/model numbers is for identification only and does not indicate that it is an OEM part. PAI is not affiliated with Mack Truck, Inc.®, Volvo®, Fuller®, Cummins®, Eaton®, Rockwell®, Caterpillar®, Freightliner®, Hendrickson®, Kenworth®, Detroit Diesel®, International®, Peterbilt®, or Dana®. All Manufacturer's names, numbers, symbols and descriptions are used for reference only. It is not implied that any part listed is the product of these manufacturers.

RETAINING RING

GRI-2799



Drive Train 2016
Rear Case Components - T310M



Hardware
Internal - Rectangular Section

Component Of:

SKU	Image	Description
GRK-2771		RING KIT
GRK-2774		RETAINING RING KIT
GMS-6648-100	-	MAINSHAFT KIT
ERK-8997		RING KIT

Cross Reference:

Manufacturer	OEM Number
MACK	97AX265

Copyright © 2020 PAI Industries, Inc.
All rights reserved. All content is property of PAI Industries, Inc. and may not be reproduced or redistributed in any form.

Any reference to OEM names or OEM product identification numbers/descriptions/model numbers is for identification only and does not indicate that it is an OEM part. PAI is not affiliated with Mack Truck, Inc.®, Volvo®, Fuller®, Cummins®, Eaton®, Rockwell®, Caterpillar®, Freightliner®, Hendrickson®, Kenworth®, Detroit Diesel®, International®, Peterbilt®, or Dana®. All Manufacturer's names, numbers, symbols and descriptions are used for reference only. It is not implied that any part listed is the product of these manufacturers.