

COMPOUND CLUTCH

GGB-2634



Description:	COMPOUND CLUTCH
SKU:	GGB-2634
OEM:	320KB3141
Product Group:	TRANSMISSION
Product Class:	GEARS, SHAFTS, CLUTCHES
UPC Code:	193807194314
Sell Pack:	1 EA
Weight:	6.35 LBS
Package Dimensions (LxWxH):	6 x 6 x 4 inches
Warranty:	2 Years



Details:

Compound Clutch
 Mack T2080B / T2110B/D / T2130 / T2180 T 309L / T310/M / T313L / T318L Transmission Application

E-Catalog Pages:

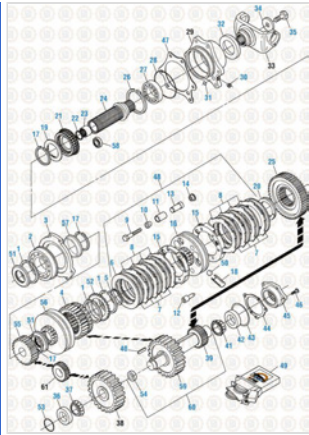
Catalog Page	Description

Copyright © 2020 PAI Industries, Inc.
 All rights reserved. All content is property of PAI Industries, Inc, and may not be reproduced or redistributed in any form.

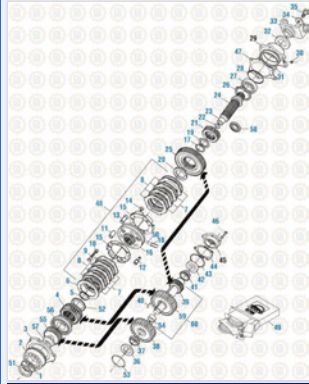
Any reference to OEM names or OEM product identification numbers/descriptions/model numbers is for identification only and does not indicate that it is an OEM part. PAI is not affiliated with Mack Truck, Inc.®, Volvo®, Fuller®, Cummins®, Eaton®, Rockwell®, Caterpillar®, Freightliner®, Hendrickson®, Kenworth®, Detroit Diesel®, International®, Peterbilt®, or Dana®. All Manufacturer's names, numbers, symbols and descriptions are used for reference only. It is not implied that any part listed is the product of these manufacturers.

COMPOUND CLUTCH

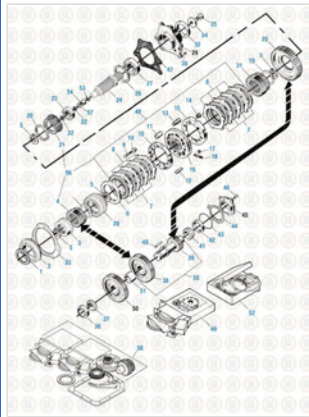
GGB-2634



Drive Train 2016
Rear Case Components - T2080B



Drive Train 2016
Rear Case Components - T2130 and T2180



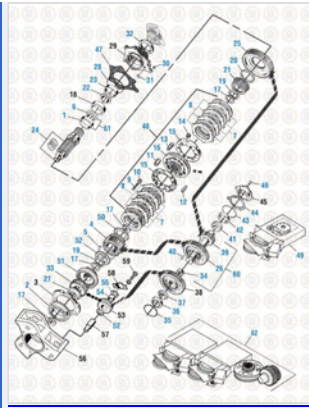
Drive Train 2016
Rear Case Components - T309L and T310

Copyright © 2020 PAI Industries, Inc.
All rights reserved. All content is property of PAI Industries, Inc. and may not be reproduced or redistributed in any form.

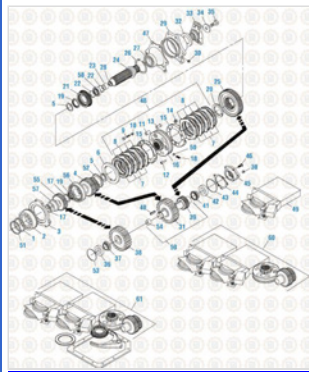
Any reference to OEM names or OEM product identification numbers/descriptions/model numbers is for identification only and does not indicate that it is an OEM part. PAI is not affiliated with Mack Truck, Inc.®, Volvo®, Fuller®, Cummins®, Eaton®, Rockwell®, Caterpillar®, Freightliner®, Hendrickson®, Kenworth®, Detroit Diesel®, International®, Peterbilt®, or Dana®. All Manufacturer's names, numbers, symbols and descriptions are used for reference only. It is not implied that any part listed is the product of these manufacturers.

COMPOUND CLUTCH

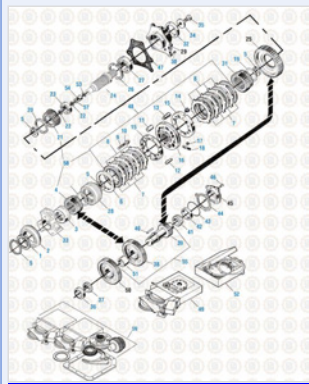
GGB-2634



Drive Train 2016
Rear Case Components - T2110 B and D



Drive Train 2016
Rear Case Components - T313L and T318L



Drive Train 2016
Rear Case Components - T310M

Cross Reference:

Manufacturer	OEM Number
MACK	320KB3141
MACK	25091405

Copyright © 2020 PAI Industries, Inc.
All rights reserved. All content is property of PAI Industries, Inc, and may not be reproduced or redistributed in any form.

Any reference to OEM names or OEM product identification numbers/descriptions/model numbers is for identification only and does not indicate that it is an OEM part. PAI is not affiliated with Mack Truck, Inc.®, Volvo®, Fuller®, Cummins®, Eaton®, Rockwell®, Caterpillar®, Freightliner®, Hendrickson®, Kenworth®, Detroit Diesel®, International®, Peterbilt®, or Dana®. All Manufacturer's names, numbers, symbols and descriptions are used for reference only. It is not implied that any part listed is the product of these manufacturers.