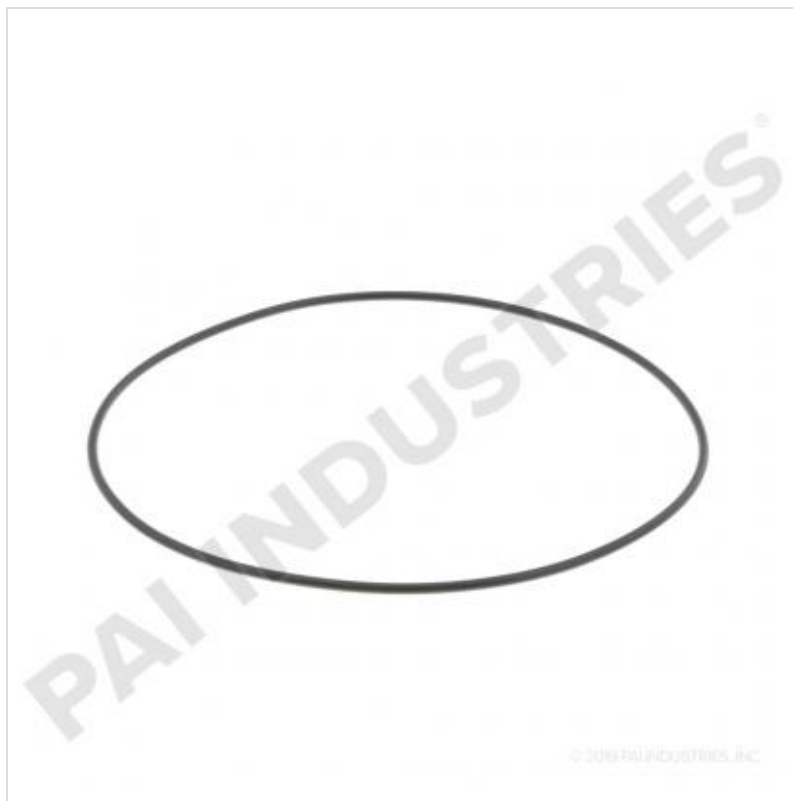
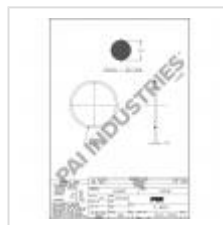


# O-RING

# BGA-2500



**Description:** O-RING  
**SKU:** BGA-2500  
**OEM:** 56AX432  
**Product Group:** DIFFERENTIAL  
**Product Class:** INTERNAL GEARS AND PARTS  
**UPC Code:** 193807191993  
**Sell Pack:** 10 EA  
 (Available to buy in increments of 10)  
**Weight:** 0.08 LBS  
**Warranty:** 2 Years



**Details:**

O-Ring  
 0.103in C/S x 5.237in I.D.  
 2.62mm C/S x 133.02mm I.D.  
 Buna N  
 70 Durometer  
 Series # -160

**E-Catalog Pages:**

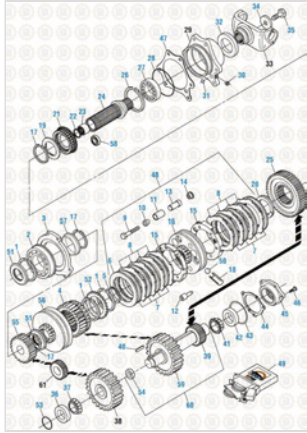
| Catalog Page | Description |
|--------------|-------------|
|              |             |

**Copyright © 2020 PAI Industries, Inc.**  
 All rights reserved. All content is property of PAI Industries, Inc, and may not be reproduced or redistributed in any form.

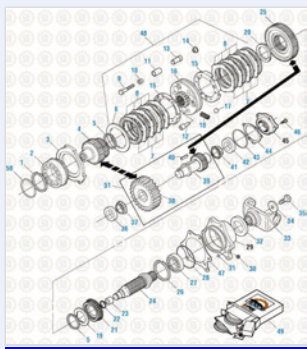
Any reference to OEM names or OEM product identification numbers/descriptions/model numbers is for identification only and does not indicate that it is an OEM part. PAI is not affiliated with Mack Truck, Inc.®, Volvo®, Fuller®, Cummins®, Eaton®, Rockwell®, Caterpillar®, Freightliner®, Hendrickson®, Kenworth®, Detroit Diesel®, International®, Peterbilt®, or Dana®. All Manufacturer's names, numbers, symbols and descriptions are used for reference only. It is not implied that any part listed is the product of these manufacturers.

# O-RING

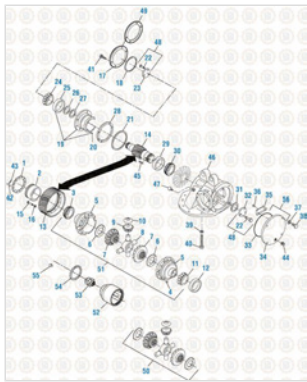
# BGA-2500



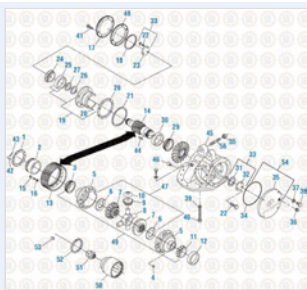
**Drive Train 2016**  
Rear Case Components - T2080B



**Drive Train 2016**  
Rear Case Components - Original Design Synchronizer - T2080, T2090 and T2100



**Drive Train 2016**  
CRDPC 92/112



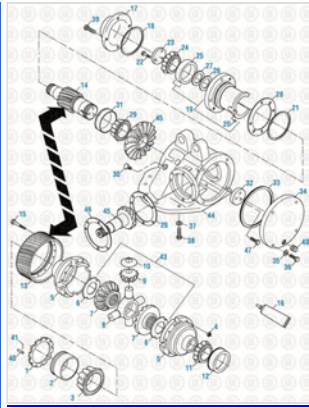
**Drive Train 2016**  
CRD 93/113

Copyright © 2020 PAI Industries, Inc.  
All rights reserved. All content is property of PAI Industries, Inc. and may not be reproduced or redistributed in any form.

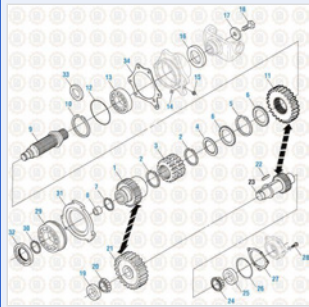
Any reference to OEM names or OEM product identification numbers/descriptions/model numbers is for identification only and does not indicate that it is an OEM part. PAI is not affiliated with Mack Truck, Inc.®, Volvo®, Fuller®, Cummins®, Eaton®, Rockwell®, Caterpillar®, Freightliner®, Hendrickson®, Kenworth®, Detroit Diesel®, International®, Peterbilt®, or Dana®. All Manufacturer's names, numbers, symbols and descriptions are used for reference only. It is not implied that any part listed is the product of these manufacturers.

# O-RING

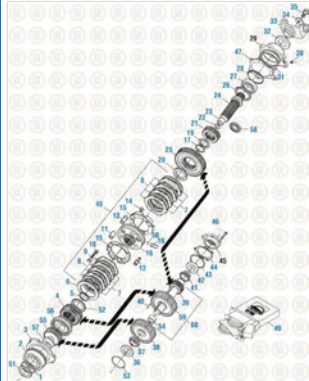
# BGA-2500



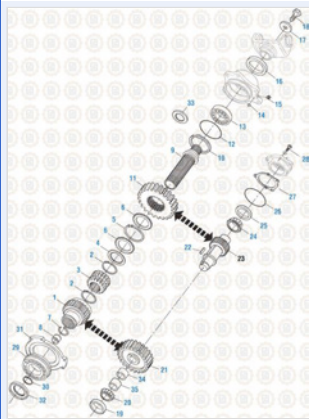
**Drive Train 2016**  
CRD 93A



**Drive Train 2016**  
Rear Case Components - T2060 & T2070



**Drive Train 2016**  
Rear Case Components - T2130 and T2180



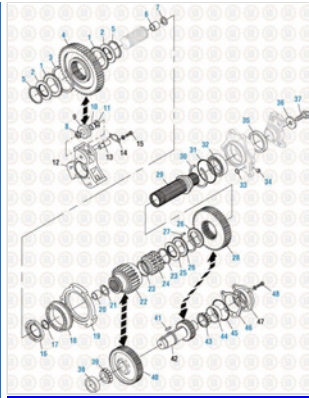
**Drive Train 2016**  
Rear Case Components - T2070 A & C

Copyright © 2020 PAI Industries, Inc.  
All rights reserved. All content is property of PAI Industries, Inc. and may not be reproduced or redistributed in any form.

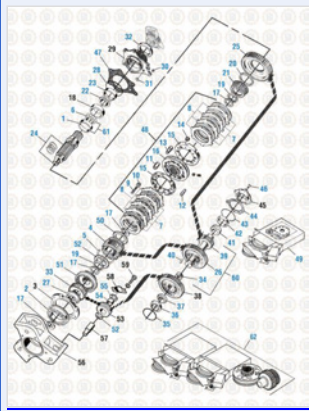
Any reference to OEM names or OEM product identification numbers/descriptions/model numbers is for identification only and does not indicate that it is an OEM part. PAI is not affiliated with Mack Truck, Inc.®, Volvo®, Fuller®, Cummins®, Eaton®, Rockwell®, Caterpillar®, Freightliner®, Hendrickson®, Kenworth®, Detroit Diesel®, International®, Peterbilt®, or Dana®. All Manufacturer's names, numbers, symbols and descriptions are used for reference only. It is not implied that any part listed is the product of these manufacturers.

# O-RING

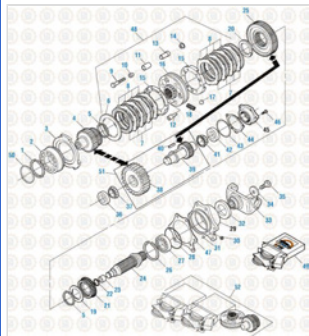
# BGA-2500



**Drive Train 2016**  
Rear Case Components - T2070 B & D



**Drive Train 2016**  
Rear Case Components - T2110 B and D



**Drive Train 2016**  
Rear Case Components - Updated Design Synchronizer - T2080, T2090 and T2100

**O-Rings**  
AS568A

**Component Of:**

| SKU                    | Image | Description              |
|------------------------|-------|--------------------------|
| <a href="#">331128</a> | .     | OVERHAUL GASKET KIT      |
| <a href="#">331129</a> | .     | OVERHAUL GASKET KIT      |
| <a href="#">331190</a> | .     | UPPER GASKET AND SEALKIT |
| <a href="#">331191</a> | .     | UPPER GASKET AND SEALKIT |

Copyright © 2020 PAI Industries, Inc.  
All rights reserved. All content is property of PAI Industries, Inc, and may not be reproduced or redistributed in any form.

Any reference to OEM names or OEM product identification numbers/descriptions/model numbers is for identification only and does not indicate that it is an OEM part. PAI is not affiliated with Mack Truck, Inc.®, Volvo®, Fuller®, Cummins®, Eaton®, Rockwell®, Caterpillar®, Freightliner®, Hendrickson®, Kenworth®, Detroit Diesel®, International®, Peterbilt®, or Dana®. All Manufacturer's names, numbers, symbols and descriptions are used for reference only. It is not implied that any part listed is the product of these manufacturers.

## O-RING

## BGA-2500

|                              |   |                            |
|------------------------------|---|----------------------------|
| <a href="#">331192</a>       | . | UPPER GASKET AND SEALKIT   |
| <a href="#">331449</a>       | . | ENGINE OVERHAUL GASKET KIT |
| <a href="#">331576</a>       | . | FRONT GASKET KIT           |
| <a href="#">GGS-3972</a>     | . | TRANSMISSION GASKET KIT    |
| <a href="#">BBK-7121-200</a> | . | O-RING KIT                 |
| <a href="#">BBK-7125-200</a> | . | O-RING KIT                 |
| <a href="#">BBK-7141-200</a> | . | O-RING KIT                 |

## Cross Reference:

| Manufacturer | OEM Number |
|--------------|------------|
| MACK         | 56AX432    |
| CATERPILLAR  | 2P1692     |

Copyright © 2020 PAI Industries, Inc.

All rights reserved. All content is property of PAI Industries, Inc, and may not be reproduced or redistributed in any form.

Any reference to OEM names or OEM product identification numbers/descriptions/model numbers is for identification only and does not indicate that it is an OEM part. PAI is not affiliated with Mack Truck, Inc.®, Volvo®, Fuller®, Cummins®, Eaton®, Rockwell®, Caterpillar®, Freightliner®, Hendrickson®, Kenworth®, Detroit Diesel®, International®, Peterbilt®, or Dana®. All Manufacturer's names, numbers, symbols and descriptions are used for reference only. It is not implied that any part listed is the product of these manufacturers.