

ACCESSORY DRIVE

180920



Description:	ACCESSORY DRIVE
SKU:	180920
OEM:	3078307
Product Group:	ENGINE PARTS
Product Class:	CAM & AUX SHAFT; ACC. DRIVE
UPC Code:	193807149208
Sell Pack:	1 EA
Weight:	21.65 LBS
Package Dimensions (LxWxH):	9 x 7 x 11 inches
Warranty:	2 Years



Details:

Accessory Drive
 Large Shaft
 Cast Iron Housing
 Cummins Engine N14 application

E-Catalog Pages:

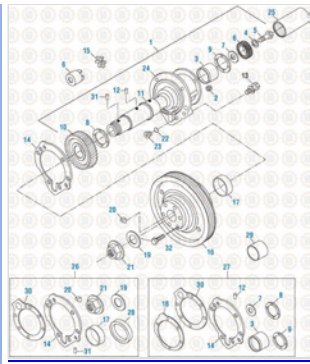
Catalog Page	Description

Copyright © 2020 PAI Industries, Inc.
 All rights reserved. All content is property of PAI Industries, Inc, and may not be reproduced or redistributed in any form.

Any reference to OEM names or OEM product identification numbers/descriptions/model numbers is for identification only and does not indicate that it is an OEM part. PAI is not affiliated with Mack Truck, Inc.®, Volvo®, Fuller®, Cummins®, Eaton®, Rockwell®, Caterpillar®, Freightliner®, Hendrickson®, Kenworth®, Detroit Diesel®, International®, Peterbilt®, or Dana®. All Manufacturer's names, numbers, symbols and descriptions are used for reference only. It is not implied that any part listed is the product of these manufacturers.

ACCESSORY DRIVE

180920



Cummins Engine 2017
Accessory Drives - Cast Iron Housing - N14 Series

Consists Of:

SKU	OEM	Image	Description	Quantity
180920-100	N/A		ACCESSORY DRIVE	1
045024	70550		PIN DOWEL	1
131366	3069101		MOUNTING GASKET	1

Cross Reference:

Manufacturer	OEM Number
CUMMINS	3078307

Copyright © 2020 PAI Industries, Inc.
All rights reserved. All content is property of PAI Industries, Inc, and may not be reproduced or redistributed in any form.

Any reference to OEM names or OEM product identification numbers/descriptions/model numbers is for identification only and does not indicate that it is an OEM part. PAI is not affiliated with Mack Truck, Inc.®, Volvo®, Fuller®, Cummins®, Eaton®, Rockwell®, Caterpillar®, Freightliner®, Hendrickson®, Kenworth®, Detroit Diesel®, International®, Peterbilt®, or Dana®. All Manufacturer's names, numbers, symbols and descriptions are used for reference only. It is not implied that any part listed is the product of these manufacturers.