

# ROD BEARING SHELL

171745



<b>Description:</b>	ROD BEARING SHELL
<b>SKU:</b>	171745
<b>OEM:</b>	203660
<b>Product Group:</b>	ENGINE PARTS
<b>Product Class:</b>	ENGINE BEARINGS (ALL)
<b>UPC Code:</b>	193807104672
<b>Sell Pack:</b>	2 EA (Available to buy in increments of 2)
<b>Weight:</b>	0.42 LBS
<b>Package Dimensions (LxWxH):</b>	5 x 5 x 5 inches
<b>Warranty:</b>	2 Years



**Details:**

Rod Bearing Shell  
 STD  
 Centered Oil Hole  
 Small Cam  
 Cummins 855 Series Application

**E-Catalog Pages:**

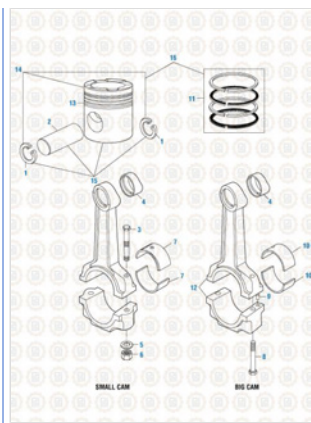
Catalog Page	Description

Copyright © 2020 PAI Industries, Inc.  
 All rights reserved. All content is property of PAI Industries, Inc, and may not be reproduced or redistributed in any form.

Any reference to OEM names or OEM product identification numbers/descriptions/model numbers is for identification only and does not indicate that it is an OEM part. PAI is not affiliated with Mack Truck, Inc.®, Volvo®, Fuller®, Cummins®, Eaton®, Rockwell®, Caterpillar®, Freightliner®, Hendrickson®, Kenworth®, Detroit Diesel®, International®, Peterbilt®, or Dana®. All Manufacturer's names, numbers, symbols and descriptions are used for reference only. It is not implied that any part listed is the product of these manufacturers.

# ROD BEARING SHELL

171745



**Cummins Engine 2017**  
 Piston Kits, Pistons, Rod Bearings and Ring Sets - 855 Series

Component Of:		
SKU	Image	Description
<a href="#">171745HP</a>	.	HIGH PERFORMANCE SHELL BEARING
<a href="#">855000-001</a>	.	ENGINE KIT
<a href="#">855000-017</a>	.	ENGINE KIT
<a href="#">855000-065</a>	.	ENGINE KIT
<a href="#">855001-001</a>	.	ENGINE KIT
<a href="#">855001-017</a>	.	ENGINE KIT
<a href="#">855001-033</a>	.	ENGINE KIT
<a href="#">855001-065</a>	.	ENGINE KIT
<a href="#">855002-001</a>	.	ENGINE KIT
<a href="#">855006-001</a>	.	ENGINE KIT
<a href="#">855006-017</a>	.	ENGINE KIT
<a href="#">855007-001</a>	.	ENGINE KIT
<a href="#">855007-017</a>	.	ENGINE KIT
<a href="#">855008-001</a>	.	ENGINE KIT
<a href="#">855008-002</a>	.	ENGINE KIT
<a href="#">855008-017</a>	.	ENGINE KIT
<a href="#">855008-033</a>	.	ENGINE KIT
<a href="#">855008-065</a>	.	ENGINE KIT
<a href="#">855008-066</a>	.	ENGINE KIT
<a href="#">855008-081</a>	.	ENGINE KIT
<a href="#">855009-017</a>	.	ENGINE KIT
<a href="#">855009-081</a>	.	DUAL-NI PISTON ENGINE KIT
<a href="#">855010-017</a>	.	ENGINE KIT
<a href="#">855011-017</a>	.	ENGINE KIT
<a href="#">855013-001</a>	.	ENGINE KIT

Copyright © 2020 PAI Industries, Inc.  
 All rights reserved. All content is property of PAI Industries, Inc, and may not be reproduced or redistributed in any form.

Any reference to OEM names or OEM product identification numbers/descriptions/model numbers is for identification only and does not indicate that it is an OEM part. PAI is not affiliated with Mack Truck, Inc.®, Volvo®, Fuller®, Cummins®, Eaton®, Rockwell®, Caterpillar®, Freightliner®, Hendrickson®, Kenworth®, Detroit Diesel®, International®, Peterbilt®, or Dana®. All Manufacturer's names, numbers, symbols and descriptions are used for reference only. It is not implied that any part listed is the product of these manufacturers.

## ROD BEARING SHELL

171745

<a href="#">855013-002</a>	.	ENGINE KIT
<a href="#">855013-017</a>	.	PREMIUM KIT
<a href="#">855013-033</a>	.	ENGINE KIT
<a href="#">855013-065</a>	.	ENGINE KIT
<a href="#">855013-081</a>	.	ENGINE KIT
<a href="#">855014-001</a>	.	ENGINE KIT
<a href="#">855014-065</a>	.	ENGINE KIT
<a href="#">855015-001</a>	.	ENGINE KIT
<a href="#">855015-003</a>	.	ENGINE KIT
<a href="#">855015-004</a>	.	ENGINE KIT
<a href="#">855015-017</a>	.	ENGINE KIT
<a href="#">855015-033</a>	.	ENGINE KIT
<a href="#">855015-065</a>	.	ENGINE KIT
<a href="#">855015-081</a>	.	ENGINE KIT
<a href="#">855016-001</a>	.	ENGINE KIT
<a href="#">855016-033</a>	.	ENGINE KIT
<a href="#">855017-001</a>	.	ENGINE KIT
<a href="#">855017-002</a>	.	ENGINE KIT
<a href="#">855017-017</a>	.	ENGINE KIT
<a href="#">855017-065</a>	.	ENGINE KIT
<a href="#">855019-017</a>	.	ENGINE KIT
<a href="#">855108-001</a>	.	ENGINE KIT

## Cross Reference:

Manufacturer	OEM Number
CUMMINS	203660
CUMMINS	AR51479

Copyright © 2020 PAI Industries, Inc.

All rights reserved. All content is property of PAI Industries, Inc, and may not be reproduced or redistributed in any form.

Any reference to OEM names or OEM product identification numbers/descriptions/model numbers is for identification only and does not indicate that it is an OEM part. PAI is not affiliated with Mack Truck, Inc.®, Volvo®, Fuller®, Cummins®, Eaton®, Rockwell®, Caterpillar®, Freightliner®, Hendrickson®, Kenworth®, Detroit Diesel®, International®, Peterbilt®, or Dana®. All Manufacturer's names, numbers, symbols and descriptions are used for reference only. It is not implied that any part listed is the product of these manufacturers.