

# SEAL

# 136018



**Description:** SEAL  
**SKU:** 136018  
**OEM:** 3020183  
**Product Group:** ENGINE PARTS  
**Product Class:** CRANKSHAFTS & SEALS  
**UPC Code:** 193807161842  
**Sell Pack:** 1 EA  
**Weight:** 0.34 LBS  
**Warranty:** 2 Years



**Details:**

Seal  
 3.625 in Free ID x 4.756 in OD x 0.5 in Width  
 92.07 mm Free ID x 120.8 mm OD x 12.7 mm Width  
 Type 5

**E-Catalog Pages:**

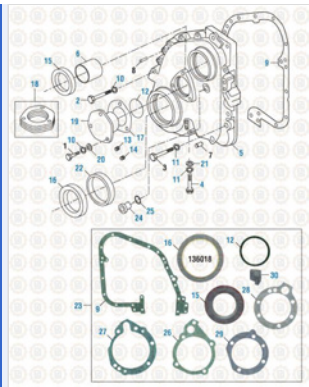
Catalog Page	Description
	<p><b>Drive Train 2016</b>                      Seals - Miscellaneous</p>

**Copyright © 2020 PAI Industries, Inc.**  
 All rights reserved. All content is property of PAI Industries, Inc, and may not be reproduced or redistributed in any form.

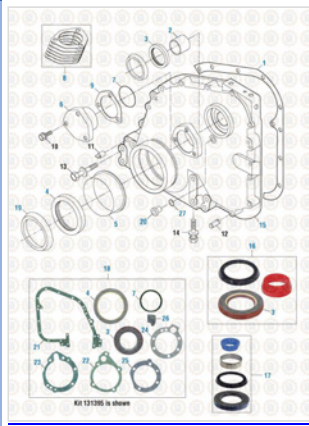
Any reference to OEM names or OEM product identification numbers/descriptions/model numbers is for identification only and does not indicate that it is an OEM part. PAI is not affiliated with Mack Truck, Inc.®, Volvo®, Fuller®, Cummins®, Eaton®, Rockwell®, Caterpillar®, Freightliner®, Hendrickson®, Kenworth®, Detroit Diesel®, International®, Peterbilt®, or Dana®. All Manufacturer's names, numbers, symbols and descriptions are used for reference only. It is not implied that any part listed is the product of these manufacturers.

# SEAL

# 136018




**Cummins Engine 2017**  
Front Cover and Components - 855 Series



**Cummins Engine 2017**  
Front Covers Components - N14 Series

**Component Of:**





SKU	Image	Description
<a href="#">131273</a>		LOWER GASKET SET
<a href="#">131338</a>		LOWER GASKET KIT

Copyright © 2020 PAI Industries, Inc.  
All rights reserved. All content is property of PAI Industries, Inc. and may not be reproduced or redistributed in any form.

Any reference to OEM names or OEM product identification numbers/descriptions/model numbers is for identification only and does not indicate that it is an OEM part. PAI is not affiliated with Mack Truck, Inc.®, Volvo®, Fuller®, Cummins®, Eaton®, Rockwell®, Caterpillar®, Freightliner®, Hendrickson®, Kenworth®, Detroit Diesel®, International®, Peterbilt®, or Dana®. All Manufacturer's names, numbers, symbols and descriptions are used for reference only. It is not implied that any part listed is the product of these manufacturers.

# SEAL

# 136018

<a href="#">131395</a>		FRONT COVER GASKET KIT
<a href="#">131422</a>		LOWER GASKET KIT
<a href="#">131539</a>		LOWER GASKET KIT
<a href="#">131595</a>		FRONT COVER GASKET KIT
<a href="#">131596</a>		FRONT COVER GASKET KIT
<a href="#">131800</a>		OVERHAUL GASKET KIT
<a href="#">131933</a>		LOWER GASKET KIT

Cross Reference:	
Manufacturer	OEM Number
CUMMINS	3020183
CUMMINS	3020186
CUMMINS	213467
CUMMINS	3004317

Copyright © 2020 PAI Industries, Inc.  
 All rights reserved. All content is property of PAI Industries, Inc, and may not be reproduced or redistributed in any form.

Any reference to OEM names or OEM product identification numbers/descriptions/model numbers is for identification only and does not indicate that it is an OEM part. PAI is not affiliated with Mack Truck, Inc.®, Volvo®, Fuller®, Cummins®, Eaton®, Rockwell®, Caterpillar®, Freightliner®, Hendrickson®, Kenworth®, Detroit Diesel®, International®, Peterbilt®, or Dana®. All Manufacturer's names, numbers, symbols and descriptions are used for reference only. It is not implied that any part listed is the product of these manufacturers.