

# RECTANGULAR SEALING RING

136017



**Description:** RECTANGULAR SEALING RING  
**SKU:** 136017  
**OEM:** S-1003-A  
**Product Group:** ENGINE PARTS  
**Product Class:** OIL COOLERS & RELATED  
**UPC Code:** 193807161835  
**Sell Pack:** 10 EA  
 (Available to buy in increments of 10)  
**Weight:** 0.04 LBS  
**Warranty:** 2 Years



**Details:**

Rectangular Sealing Ring  
 0.468 in I.D. x 0.115 in C/S x 0.355 in Thick  
 11.887 mm I.D. x 2.921 mm C/S x 9.017 mm Thick  
 EP (75)  
 Peroxide Cured /Light Blue Teflon Coat  
 Style 6

**E-Catalog Pages:**

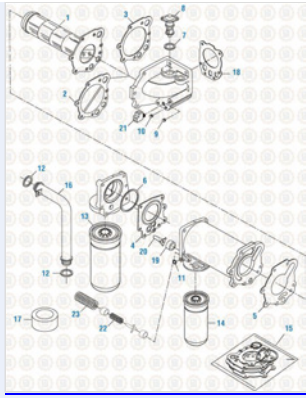
Catalog Page	Description
	<p><b>O-Rings</b>                      Rectangular Sealing Rings</p>

Copyright © 2020 PAI Industries, Inc.  
 All rights reserved. All content is property of PAI Industries, Inc. and may not be reproduced or redistributed in any form.

Any reference to OEM names or OEM product identification numbers/descriptions/model numbers is for identification only and does not indicate that it is an OEM part. PAI is not affiliated with Mack Truck, Inc.®, Volvo®, Fuller®, Cummins®, Eaton®, Rockwell®, Caterpillar®, Freightliner®, Hendrickson®, Kenworth®, Detroit Diesel®, International®, Peterbilt®, or Dana®. All Manufacturer's names, numbers, symbols and descriptions are used for reference only. It is not implied that any part listed is the product of these manufacturers.

# RECTANGULAR SEALING RING

136017



Cummins Engine 2017  
86NT and 88NT - 855 Series

Component Of:

SKU	Image	Description
<a href="#">131315-153</a>		COOLANT SYSTEM GASKET KIT
<a href="#">131432</a>		OIL COOLER INSTALLATION KIT
<a href="#">131639</a>		LOWER GASKET KIT
<a href="#">131640</a>		LOWER GASKET KIT
<a href="#">131800</a>		OVERHAUL GASKET KIT

Copyright © 2020 PAI Industries, Inc.  
All rights reserved. All content is property of PAI Industries, Inc. and may not be reproduced or redistributed in any form.

Any reference to OEM names or OEM product identification numbers/descriptions/model numbers is for identification only and does not indicate that it is an OEM part. PAI is not affiliated with Mack Truck, Inc.®, Volvo®, Fuller®, Cummins®, Eaton®, Rockwell®, Caterpillar®, Freightliner®, Hendrickson®, Kenworth®, Detroit Diesel®, International®, Peterbilt®, or Dana®. All Manufacturer's names, numbers, symbols and descriptions are used for reference only. It is not implied that any part listed is the product of these manufacturers.

## RECTANGULAR SEALING RING

136017

[131851](#)

LOWER GASKET KIT

[131896](#)

UPPER GASKET KIT

[131933](#)

LOWER GASKET KIT

[132025](#)

UPPER GASKET SET

## Cross Reference:

Manufacturer	OEM Number
CUMMINS	S-1003-A
CUMMINS	S1003A
CUMMINS	3103015

Copyright © 2020 PAI Industries, Inc.

All rights reserved. All content is property of PAI Industries, Inc, and may not be reproduced or redistributed in any form.

Any reference to OEM names or OEM product identification numbers/descriptions/model numbers is for identification only and does not indicate that it is an OEM part. PAI is not affiliated with Mack Truck, Inc.®, Volvo®, Fuller®, Cummins®, Eaton®, Rockwell®, Caterpillar®, Freightliner®, Hendrickson®, Kenworth®, Detroit Diesel®, International®, Peterbilt®, or Dana®. All Manufacturer's names, numbers, symbols and descriptions are used for reference only. It is not implied that any part listed is the product of these manufacturers.