

# RECTANGULAR SEALING RING

136011



**Description:** RECTANGULAR SEALING RING  
**SKU:** 136011  
**OEM:** 3034986  
**Product Group:** ENGINE PARTS  
**Product Class:** OIL PANS & RELATED PARTS  
**UPC Code:** 193807161767  
**Sell Pack:** 10 EA  
 (Available to buy in increments of 10)  
**Weight:** 0.09 LBS  
**Warranty:** 2 Years



**Details:**

Rectangular Sealing Ring  
 1.225 in I.D. x 0.203 in C/S x 0.203 in Thick  
 31.115 mm I.D. x 5.156 mm C/S x 5.156 mm Thick  
 Buna N (70)  
 Series Dash # -322S  
 Style 6

**E-Catalog Pages:**

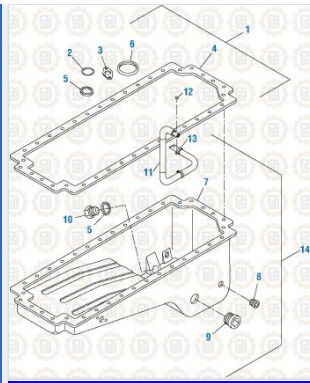
| Catalog Page | Description  |
|--------------|--|
|              | <p><b>O-Rings</b><br/>                     Rectangular Sealing Rings</p> |

Copyright © 2020 PAI Industries, Inc.  
 All rights reserved. All content is property of PAI Industries, Inc. and may not be reproduced or redistributed in any form.

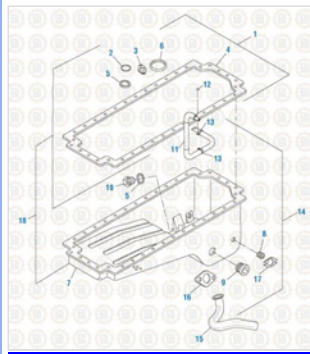
Any reference to OEM names or OEM product identification numbers/descriptions/model numbers is for identification only and does not indicate that it is an OEM part. PAI is not affiliated with Mack Truck, Inc.®, Volvo®, Fuller®, Cummins®, Eaton®, Rockwell®, Caterpillar®, Freightliner®, Hendrickson®, Kenworth®, Detroit Diesel®, International®, Peterbilt®, or Dana®. All Manufacturer's names, numbers, symbols and descriptions are used for reference only. It is not implied that any part listed is the product of these manufacturers.

# RECTANGULAR SEALING RING

136011



**Cummins Engine 2017**  
Oil Pan Kit and Components - 855 Series



**Cummins Engine 2017**  
Oil Pan and Components - N14 Series

**Component Of:**

| SKU                    | Image | Description                     |
|------------------------|-------|---------------------------------|
| <a href="#">131332</a> |       | LOWER GASKET KIT                |
| <a href="#">131333</a> |       | LOWER GASKET KIT                |
| <a href="#">131394</a> |       | OIL PAN GASKET INSTALLATION KIT |
| <a href="#">131539</a> |       | LOWER GASKET KIT                |

Copyright © 2020 PAI Industries, Inc.  
All rights reserved. All content is property of PAI Industries, Inc. and may not be reproduced or redistributed in any form.

Any reference to OEM names or OEM product identification numbers/descriptions/model numbers is for identification only and does not indicate that it is an OEM part. PAI is not affiliated with Mack Truck, Inc.®, Volvo®, Fuller®, Cummins®, Eaton®, Rockwell®, Caterpillar®, Freightliner®, Hendrickson®, Kenworth®, Detroit Diesel®, International®, Peterbilt®, or Dana®. All Manufacturer's names, numbers, symbols and descriptions are used for reference only. It is not implied that any part listed is the product of these manufacturers.

# RECTANGULAR SEALING RING

# 136011

**Cross Reference:**

| Manufacturer | OEM Number |
|--------------|------------|
| CUMMINS      | 3034986    |

**Copyright © 2020 PAI Industries, Inc.**

All rights reserved. All content is property of PAI Industries, Inc, and may not be reproduced or redistributed in any form.

Any reference to OEM names or OEM product identification numbers/descriptions/model numbers is for identification only and does not indicate that it is an OEM part. PAI is not affiliated with Mack Truck, Inc.®, Volvo®, Fuller®, Cummins®, Eaton®, Rockwell®, Caterpillar®, Freightliner®, Hendrickson®, Kenworth®, Detroit Diesel®, International®, Peterbilt®, or Dana®. All Manufacturer's names, numbers, symbols and descriptions are used for reference only. It is not implied that any part listed is the product of these manufacturers.