

OIL COOLER SUPPORT GASKET

131513



Description: OIL COOLER SUPPORT GASKET
SKU: 131513
OEM: 3892625
Product Group: ENGINE PARTS
Product Class: ENGINE GASKETS, O-RINGS & GASKET SETS
UPC Code: 193807137090
Sell Pack: 10 EA
 (Available to buy in increments of 10)
Weight: 0.05 LBS
Warranty: 2 Years



Details:
 Oil Cooler Support Gasket
 Cummins L10 / M11 Engine application

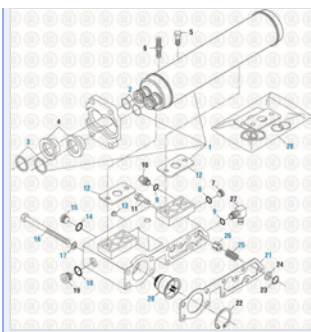
E-Catalog Pages:	
Catalog Page	Description
	<p>Cummins Engine 2017 L10 Series - L10 / M11 / ISM Series</p>

Copyright © 2020 PAI Industries, Inc.
 All rights reserved. All content is property of PAI Industries, Inc, and may not be reproduced or redistributed in any form.

Any reference to OEM names or OEM product identification numbers/descriptions/model numbers is for identification only and does not indicate that it is an OEM part. PAI is not affiliated with Mack Truck, Inc.®, Volvo®, Fuller®, Cummins®, Eaton®, Rockwell®, Caterpillar®, Freightliner®, Hendrickson®, Kenworth®, Detroit Diesel®, International®, Peterbilt®, or Dana®. All Manufacturer's names, numbers, symbols and descriptions are used for reference only. It is not implied that any part listed is the product of these manufacturers.


OIL COOLER SUPPORT GASKET

131513



Cummins Engine 2017
M11 Series - L10 / M11 / ISM Series

Component Of:

SKU	Image	Description
131266-100	.	GASKET KIT
131597-100	.	GASKET KIT
141424	.	OIL COOLER
141425		OIL COOLER
141426-101	.	O-RING/GASKET KIT

Cross Reference:

Manufacturer	OEM Number
CUMMINS	3032099
CUMMINS	3819623
CUMMINS	3892625

Copyright © 2020 PAI Industries, Inc.
All rights reserved. All content is property of PAI Industries, Inc, and may not be reproduced or redistributed in any form.

Any reference to OEM names or OEM product identification numbers/descriptions/model numbers is for identification only and does not indicate that it is an OEM part. PAI is not affiliated with Mack Truck, Inc.®, Volvo®, Fuller®, Cummins®, Eaton®, Rockwell®, Caterpillar®, Freightliner®, Hendrickson®, Kenworth®, Detroit Diesel®, International®, Peterbilt®, or Dana®. All Manufacturer's names, numbers, symbols and descriptions are used for reference only. It is not implied that any part listed is the product of these manufacturers.