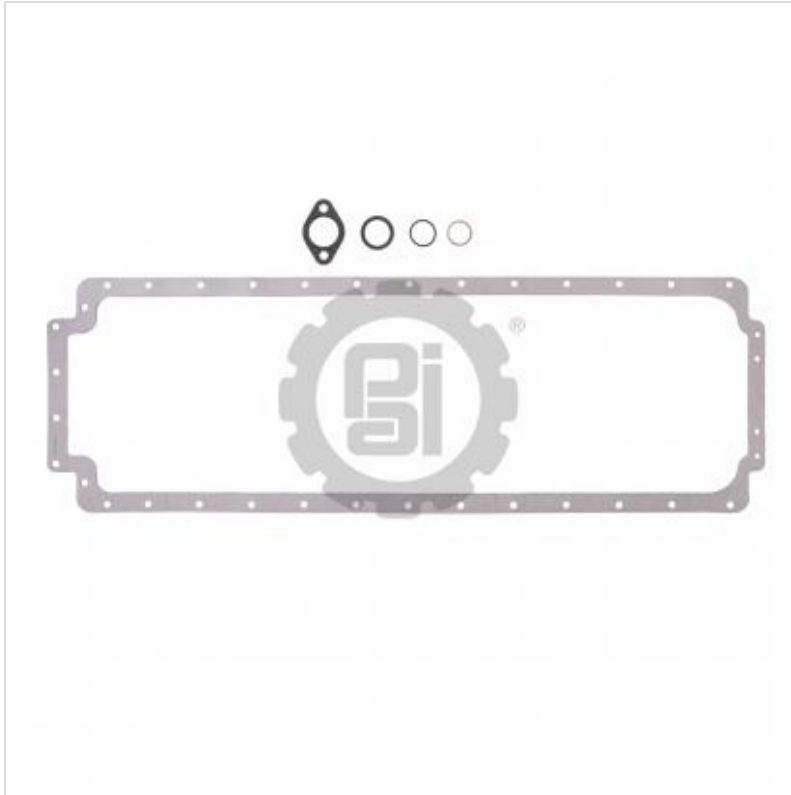


# OIL PAN GASKET INSTALLATION KIT

131394



<b>Description:</b>	OIL PAN GASKET INSTALLATION KIT
<b>SKU:</b>	131394
<b>OEM:</b>	3804303
<b>Product Group:</b>	ENGINE PARTS
<b>Product Class:</b>	ENGINE GASKETS, O- RINGS & GASKET SETS
<b>UPC Code:</b>	193807135775
<b>Sell Pack:</b>	1 EA
<b>Weight:</b>	1.35 LBS
<b>Package Dimensions (LxWxH):</b>	19 x 4 x 1 inches
<b>Warranty:</b>	2 Years

**Details:**

Oil Pan Gasket Installation Kit  
Cummins 855 Series application

**E-Catalog Pages:**

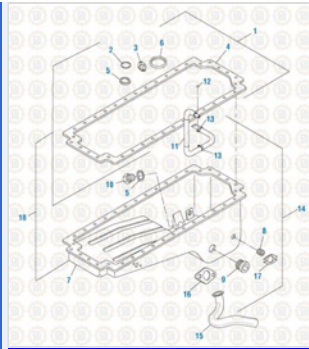
Catalog Page	Description
	<p><b>Cummins Engine 2017</b> Oil Pan Kit and Components - 855 Series</p>

Copyright © 2020 PAI Industries, Inc.  
All rights reserved. All content is property of PAI Industries, Inc, and may not be reproduced or redistributed in any form.

Any reference to OEM names or OEM product identification numbers/descriptions/model numbers is for identification only and does not indicate that it is an OEM part. PAI is not affiliated with Mack Truck, Inc.®, Volvo®, Fuller®, Cummins®, Eaton®, Rockwell®, Caterpillar®, Freightliner®, Hendrickson®, Kenworth®, Detroit Diesel®, International®, Peterbilt®, or Dana®. All Manufacturer's names, numbers, symbols and descriptions are used for reference only. It is not implied that any part listed is the product of these manufacturers.

# OIL PAN GASKET INSTALLATION KIT

131394






**Cummins Engine 2017**  
Oil Pan and Components - N14 Series



**Cummins Engine 2017**  
Inframe Kit Breakdowns - N14 Series

**Consists Of:**

SKU	OEM	Image	Description	Quantity
<a href="#">131391</a>	67946		WASHER	1
<a href="#">131295</a>	157551		GASKET	1
<a href="#">121224</a>	3029847		O-RING	1

Copyright © 2020 PAI Industries, Inc.  
All rights reserved. All content is property of PAI Industries, Inc. and may not be reproduced or redistributed in any form.

Any reference to OEM names or OEM product identification numbers/descriptions/model numbers is for identification only and does not indicate that it is an OEM part. PAI is not affiliated with Mack Truck, Inc.®, Volvo®, Fuller®, Cummins®, Eaton®, Rockwell®, Caterpillar®, Freightliner®, Hendrickson®, Kenworth®, Detroit Diesel®, International®, Peterbilt®, or Dana®. All Manufacturer's names, numbers, symbols and descriptions are used for reference only. It is not implied that any part listed is the product of these manufacturers.

# OIL PAN GASKET INSTALLATION KIT

131394

<a href="#">131347</a>	3032861		OIL PAN GASKET	1
<a href="#">136011</a>	3034986		RECTANGULAR SEALING RING	1

Component Of:		
SKU	Image	Description
<a href="#">141280</a>	.	OIL PAN ASSEMBLY KIT
<a href="#">141280E</a>	.	OIL PAN KIT
<a href="#">855000-001</a>	.	ENGINE KIT
<a href="#">855000-006</a>	.	ENGINE KIT
<a href="#">855000-010</a>	.	ENGINE KIT
<a href="#">855000-016</a>	.	ENGINE KIT
<a href="#">855000-017</a>	.	ENGINE KIT
<a href="#">855000-065</a>	.	ENGINE KIT
<a href="#">855001-001</a>	.	ENGINE KIT
<a href="#">855001-006</a>	.	ENGINE KIT
<a href="#">855001-007</a>	.	ENGINE KIT
<a href="#">855001-017</a>	.	ENGINE KIT
<a href="#">855001-033</a>	.	ENGINE KIT
<a href="#">855001-038</a>	.	ENGINE KIT
<a href="#">855001-065</a>	.	ENGINE KIT
<a href="#">855001-070</a>	.	ENGINE KIT
<a href="#">855002-001</a>	.	ENGINE KIT
<a href="#">855002-065HP</a>	.	HIGH PERFORMANCE ENGINE KIT
<a href="#">855002-081HP</a>	.	HIGH PERFORMANCE ENGINE KIT
<a href="#">855006-001</a>	.	ENGINE KIT
<a href="#">855006-017</a>	.	ENGINE KIT
<a href="#">855007-001</a>	.	ENGINE KIT
<a href="#">855007-017</a>	.	ENGINE KIT
<a href="#">855007-070</a>	.	ENGINE KIT
<a href="#">855007-086</a>	.	ENGINE KIT

Copyright © 2020 PAI Industries, Inc.

All rights reserved. All content is property of PAI Industries, Inc. and may not be reproduced or redistributed in any form.

Any reference to OEM names or OEM product identification numbers/descriptions/model numbers is for identification only and does not indicate that it is an OEM part. PAI is not affiliated with Mack Truck, Inc.®, Volvo®, Fuller®, Cummins®, Eaton®, Rockwell®, Caterpillar®, Freightliner®, Hendrickson®, Kenworth®, Detroit Diesel®, International®, Peterbilt®, or Dana®. All Manufacturer's names, numbers, symbols and descriptions are used for reference only. It is not implied that any part listed is the product of these manufacturers.

## OIL PAN GASKET INSTALLATION KIT

131394

<a href="#">855007-087</a>	.	ENGINE KIT
<a href="#">855008-001</a>	.	ENGINE KIT
<a href="#">855008-002</a>	.	ENGINE KIT
<a href="#">855008-005</a>	.	ENGINE KIT
<a href="#">855008-006</a>	.	ENGINE KIT
<a href="#">855008-007</a>	.	ENGINE KIT
<a href="#">855008-011</a>	.	ENGINE KIT
<a href="#">855008-017</a>	.	ENGINE KIT
<a href="#">855008-022</a>	.	ENGINE KIT
<a href="#">855008-033</a>	.	ENGINE KIT
<a href="#">855008-038</a>	.	ENGINE KIT
<a href="#">855008-065</a>	.	ENGINE KIT
<a href="#">855008-066</a>	.	ENGINE KIT
<a href="#">855008-070</a>	.	ENGINE KIT
<a href="#">855008-071</a>	.	ENGINE KIT
<a href="#">855008-075</a>	.	ENGINE KIT
<a href="#">855008-080</a>	.	ENGINE KIT
<a href="#">855008-081</a>	.	ENGINE KIT
<a href="#">855009-017</a>	.	ENGINE KIT
<a href="#">855009-081</a>	.	DUAL-NI PISTON ENGINE KIT
<a href="#">855010-017</a>	.	ENGINE KIT
<a href="#">855010-022</a>	.	DUAL-NI ENGINE KIT
<a href="#">855011-017</a>	.	ENGINE KIT
<a href="#">855012-021</a>	.	ENGINE KIT
<a href="#">855013-001</a>	.	ENGINE KIT
<a href="#">855013-002</a>	.	ENGINE KIT
<a href="#">855013-006</a>	.	ENGINE KIT
<a href="#">855013-007</a>	.	ENGINE KIT
<a href="#">855013-010</a>	.	ENGINE KIT
<a href="#">855013-016</a>	.	ENGINE KIT
<a href="#">855013-017</a>	.	PREMIUM KIT
<a href="#">855013-033</a>	.	ENGINE KIT
<a href="#">855013-065</a>	.	ENGINE KIT
<a href="#">855013-070</a>	.	ENGINE KIT
<a href="#">855013-075</a>	.	ENGINE KIT
<a href="#">855013-081</a>	.	ENGINE KIT
<a href="#">855014-001</a>	.	ENGINE KIT
<a href="#">855014-010</a>	.	ENGINE KIT
<a href="#">855014-011</a>	.	ENGINE KIT
<a href="#">855014-026</a>	.	ENGINE KIT

Copyright © 2020 PAI Industries, Inc.

All rights reserved. All content is property of PAI Industries, Inc. and may not be reproduced or redistributed in any form.

Any reference to OEM names or OEM product identification numbers/descriptions/model numbers is for identification only and does not indicate that it is an OEM part. PAI is not affiliated with Mack Truck, Inc.®, Volvo®, Fuller®, Cummins®, Eaton®, Rockwell®, Caterpillar®, Freightliner®, Hendrickson®, Kenworth®, Detroit Diesel®, International®, Peterbilt®, or Dana®. All Manufacturer's names, numbers, symbols and descriptions are used for reference only. It is not implied that any part listed is the product of these manufacturers.

## OIL PAN GASKET INSTALLATION KIT

131394

<a href="#">855014-065</a>	.	ENGINE KIT
<a href="#">855015-001</a>	.	ENGINE KIT
<a href="#">855015-003</a>	.	ENGINE KIT
<a href="#">855015-004</a>	.	ENGINE KIT
<a href="#">855015-005</a>	.	ENGINE KIT
<a href="#">855015-006</a>	.	ENGINE KIT
<a href="#">855015-007</a>	.	ENGINE KIT
<a href="#">855015-010</a>	.	ENGINE KIT
<a href="#">855015-011</a>	.	ENGINE KIT
<a href="#">855015-012</a>	.	ENGINE KIT
<a href="#">855015-017</a>	.	ENGINE KIT
<a href="#">855015-033</a>	.	ENGINE KIT
<a href="#">855015-065</a>	.	ENGINE KIT
<a href="#">855015-070</a>	.	ENGINE KIT
<a href="#">855015-075</a>	.	ENGINE KIT
<a href="#">855015-081</a>	.	ENGINE KIT
<a href="#">855015-087</a>	.	ENGINE KIT
<a href="#">855016-001</a>	.	ENGINE KIT
<a href="#">855016-033</a>	.	ENGINE KIT
<a href="#">855017-001</a>	.	ENGINE KIT
<a href="#">855017-002</a>	.	ENGINE KIT
<a href="#">855017-006</a>	.	ENGINE KIT
<a href="#">855017-010</a>	.	ENGINE KIT
<a href="#">855017-017</a>	.	ENGINE KIT
<a href="#">855017-065</a>	.	ENGINE KIT
<a href="#">855019-017</a>	.	ENGINE KIT
<a href="#">855020-001</a>	.	ENGINE KIT
<a href="#">855020-002</a>	.	ENGINE KIT
<a href="#">855020-006</a>	.	ENGINE KIT
<a href="#">855020-011</a>	.	ENGINE KIT
<a href="#">855020-016</a>	.	ENGINE KIT
<a href="#">855020-017</a>	.	ENGINE KIT
<a href="#">855020-022</a>	.	ENGINE KIT
<a href="#">855020-033</a>	.	ENGINE KIT
<a href="#">855020-038</a>	.	ENGINE KIT
<a href="#">855020-065</a>	.	ENGINE KIT
<a href="#">855020-070</a>	.	ENGINE KIT
<a href="#">855021-001</a>	.	ENGINE KIT
<a href="#">855021-011</a>	.	ENGINE KIT

Copyright © 2020 PAI Industries, Inc.

All rights reserved. All content is property of PAI Industries, Inc. and may not be reproduced or redistributed in any form.

Any reference to OEM names or OEM product identification numbers/descriptions/model numbers is for identification only and does not indicate that it is an OEM part. PAI is not affiliated with Mack Truck, Inc.®, Volvo®, Fuller®, Cummins®, Eaton®, Rockwell®, Caterpillar®, Freightliner®, Hendrickson®, Kenworth®, Detroit Diesel®, International®, Peterbilt®, or Dana®. All Manufacturer's names, numbers, symbols and descriptions are used for reference only. It is not implied that any part listed is the product of these manufacturers.

## OIL PAN GASKET INSTALLATION KIT

131394

<a href="#">855021-033</a>	ENGINE KIT
<a href="#">855021-042</a>	ENGINE KIT
<a href="#">855021-065</a>	ENGINE KIT
<a href="#">855022-001</a>	ENGINE KIT
<a href="#">855022-001HP</a>	HIGH PERFORMANCE ENGINE KIT
<a href="#">855022-002</a>	ENGINE KIT
<a href="#">855022-006</a>	ENGINE KIT
<a href="#">855022-011</a>	ENGINE KIT
<a href="#">855022-017</a>	ENGINE KIT
<a href="#">855022-065</a>	ENGINE KIT
<a href="#">855022-066</a>	ENGINE KIT
<a href="#">855022-081</a>	ENGINE KIT
<a href="#">855024-001</a>	ENGINE KIT
<a href="#">855024-006</a>	ENGINE KIT
<a href="#">855024-017</a>	ENGINE KIT
<a href="#">855024-065</a>	ENGINE KIT
<a href="#">855026-001</a>	ENGINE KIT
<a href="#">855026-006</a>	ENGINE KIT
<a href="#">855026-017</a>	ENGINE KIT
<a href="#">855026-018</a>	ENGINE KIT
<a href="#">855026-022</a>	ENGINE KIT
<a href="#">855026-033</a>	ENGINE KIT
<a href="#">855026-038</a>	ENGINE KIT
<a href="#">855026-043</a>	ENGINE KIT
<a href="#">855026-065</a>	ENGINE KIT
<a href="#">855026-069</a>	ENGINE KIT
<a href="#">855026-070</a>	ENGINE KIT
<a href="#">855026-081</a>	ENGINE KIT
<a href="#">855026-086</a>	ENGINE KIT
<a href="#">855027-001</a>	ENGINE KIT
<a href="#">855027-006</a>	ENGINE KIT
<a href="#">855027-017</a>	ENGINE KIT
<a href="#">855027-017HP</a>	HIGH PERFORMANCE INFRAME ENGINE KIT
<a href="#">855027-018</a>	ENGINE KIT
<a href="#">855027-022</a>	ENGINE KIT
<a href="#">855027-023</a>	ENGINE KIT
<a href="#">855027-027</a>	ENGINE KIT
<a href="#">855027-049</a>	ENGINE KIT
<a href="#">855027-054</a>	ENGINE KIT
<a href="#">855027-065</a>	ENGINE KIT

Copyright © 2020 PAI Industries, Inc.

All rights reserved. All content is property of PAI Industries, Inc. and may not be reproduced or redistributed in any form.

Any reference to OEM names or OEM product identification numbers/descriptions/model numbers is for identification only and does not indicate that it is an OEM part. PAI is not affiliated with Mack Truck, Inc.®, Volvo®, Fuller®, Cummins®, Eaton®, Rockwell®, Caterpillar®, Freightliner®, Hendrickson®, Kenworth®, Detroit Diesel®, International®, Peterbilt®, or Dana®. All Manufacturer's names, numbers, symbols and descriptions are used for reference only. It is not implied that any part listed is the product of these manufacturers.

## OIL PAN GASKET INSTALLATION KIT

131394

<a href="#">855027-070</a>	.	ENGINE KIT
<a href="#">855027-081</a>	.	ENGINE KIT
<a href="#">855027-082</a>	.	ENGINE KIT
<a href="#">855027-085</a>	.	ENGINE KIT
<a href="#">855027-086</a>	.	ENGINE KIT
<a href="#">855027-091</a>	.	ENGINE KIT
<a href="#">855028-001</a>	.	ENGINE KIT
<a href="#">855028-002</a>	.	ENGINE KIT
<a href="#">855028-006</a>	.	ENGINE KIT
<a href="#">855028-016</a>	.	ENGINE KIT
<a href="#">855028-065</a>	.	ENGINE KIT
<a href="#">855029-001</a>	.	ENGINE KIT
<a href="#">855029-017</a>	.	ENGINE KIT
<a href="#">855029-017HP</a>	.	HIGH PERFORMANCE ENGINE KIT
<a href="#">855029-019</a>	.	ENGINE KIT
<a href="#">855029-021</a>	.	ENGINE KIT
<a href="#">855029-022</a>	.	ENGINE KIT
<a href="#">855029-027</a>	.	ENGINE KIT
<a href="#">855029-049</a>	.	ENGINE KIT
<a href="#">855029-054</a>	.	ENGINE KIT
<a href="#">855029-065</a>	.	ENGINE KIT
<a href="#">855029-066</a>	.	ENGINE KIT
<a href="#">855029-081</a>	.	ENGINE KIT
<a href="#">855029-081HP</a>	.	HIGH PERFORMANCE ENGINE KIT
<a href="#">855029-085</a>	.	ENGINE KIT
<a href="#">855029-086</a>	.	ENGINE KIT
<a href="#">855029-113</a>	.	ENGINE KIT
<a href="#">855030-017</a>	.	ENGINE KIT
<a href="#">855030-022</a>	.	ENGINE KIT
<a href="#">855030-027</a>	.	ENGINE KIT
<a href="#">855030-049</a>	.	ENGINE KIT
<a href="#">855030-065</a>	.	ENGINE KIT
<a href="#">855030-081</a>	.	ENGINE KIT
<a href="#">855030-086</a>	.	ENGINE KIT
<a href="#">855031-001</a>	.	ENGINE KIT
<a href="#">855031-017</a>	.	ENGINE KIT
<a href="#">855031-022</a>	.	ENGINE KIT
<a href="#">855031-023</a>	.	ENGINE KIT
<a href="#">855031-049</a>	.	ENGINE KIT

Copyright © 2020 PAI Industries, Inc.

All rights reserved. All content is property of PAI Industries, Inc. and may not be reproduced or redistributed in any form.

Any reference to OEM names or OEM product identification numbers/descriptions/model numbers is for identification only and does not indicate that it is an OEM part. PAI is not affiliated with Mack Truck, Inc.®, Volvo®, Fuller®, Cummins®, Eaton®, Rockwell®, Caterpillar®, Freightliner®, Hendrickson®, Kenworth®, Detroit Diesel®, International®, Peterbilt®, or Dana®. All Manufacturer's names, numbers, symbols and descriptions are used for reference only. It is not implied that any part listed is the product of these manufacturers.

## OIL PAN GASKET INSTALLATION KIT

131394

<a href="#">855031-054</a>	.	ENGINE KIT
<a href="#">855031-065</a>	.	ENGINE KIT
<a href="#">855031-081</a>	.	ENGINE KIT
<a href="#">855031-086</a>	.	ENGINE KIT
<a href="#">855032-001</a>	.	ENGINE KIT
<a href="#">855032-017</a>	.	ENGINE KIT
<a href="#">855032-081</a>	.	ENGINE KIT
<a href="#">855033-001</a>	.	ENGINE KIT
<a href="#">855033-002</a>	.	ENGINE KIT
<a href="#">855033-006</a>	.	ENGINE KIT
<a href="#">855033-011</a>	.	ENGINE KIT
<a href="#">855033-016</a>	.	ENGINE KIT
<a href="#">855033-017</a>	.	ENGINE KIT
<a href="#">855033-033</a>	.	ENGINE KIT
<a href="#">855033-065</a>	.	ENGINE KIT
<a href="#">855033-070</a>	.	ENGINE KIT
<a href="#">855033-075</a>	.	ENGINE KIT
<a href="#">855034-001</a>	.	ENGINE KIT
<a href="#">855034-002</a>	.	ENGINE KIT
<a href="#">855034-006</a>	.	ENGINE KIT
<a href="#">855034-011</a>	.	ENGINE KIT
<a href="#">855034-016</a>	.	ENGINE KIT
<a href="#">855034-017</a>	.	ENGINE KIT
<a href="#">855034-018</a>	.	ENGINE KIT
<a href="#">855034-022</a>	.	ENGINE KIT
<a href="#">855034-027</a>	.	ENGINE KIT
<a href="#">855034-033</a>	.	ENGINE KIT
<a href="#">855034-038</a>	.	ENGINE KIT
<a href="#">855034-043</a>	.	ENGINE KIT
<a href="#">855034-054</a>	.	ENGINE KIT
<a href="#">855034-065</a>	.	ENGINE KIT
<a href="#">855034-070</a>	.	ENGINE KIT
<a href="#">855034-081</a>	.	ENGINE KIT
<a href="#">855034-086</a>	.	ENGINE KIT
<a href="#">855035-001</a>	.	ENGINE KIT
<a href="#">855035-001HP</a>	.	HIGH PERFORMANCE ENGINE KIT
<a href="#">855035-002</a>	.	ENGINE KIT
<a href="#">855035-006</a>	.	ENGINE KIT
<a href="#">855035-007</a>	.	ENGINE KIT
<a href="#">855035-011</a>	.	ENGINE KIT

Copyright © 2020 PAI Industries, Inc.

All rights reserved. All content is property of PAI Industries, Inc. and may not be reproduced or redistributed in any form.

Any reference to OEM names or OEM product identification numbers/descriptions/model numbers is for identification only and does not indicate that it is an OEM part. PAI is not affiliated with Mack Truck, Inc.®, Volvo®, Fuller®, Cummins®, Eaton®, Rockwell®, Caterpillar®, Freightliner®, Hendrickson®, Kenworth®, Detroit Diesel®, International®, Peterbilt®, or Dana®. All Manufacturer's names, numbers, symbols and descriptions are used for reference only. It is not implied that any part listed is the product of these manufacturers.



## OIL PAN GASKET INSTALLATION KIT

131394

<a href="#">855035-012</a>	.	ENGINE KIT
<a href="#">855035-014</a>	.	ENGINE KIT
<a href="#">855035-016</a>	.	ENGINE KIT
<a href="#">855035-017</a>	.	ENGINE KIT
<a href="#">855035-017HP</a>	.	HIGH PERFORMANCE INFRAME ENGINE KIT
<a href="#">855035-018</a>	.	ENGINE KIT
<a href="#">855035-021</a>	.	ENGINE KIT
<a href="#">855035-022</a>	.	ENGINE KIT
<a href="#">855035-023</a>	.	ENGINE KIT
<a href="#">855035-024</a>	.	ENGINE KIT
<a href="#">855035-026</a>	.	ENGINE KIT
<a href="#">855035-027</a>	.	ENGINE KIT
<a href="#">855035-032</a>	.	ENGINE KIT
<a href="#">855035-033</a>	.	ENGINE KIT
<a href="#">855035-038</a>	.	ENGINE KIT
<a href="#">855035-043</a>	.	ENGINE KIT
<a href="#">855035-049</a>	.	ENGINE KIT
<a href="#">855035-054</a>	.	ENGINE KIT
<a href="#">855035-061</a>	.	ENGINE KIT
<a href="#">855035-065</a>	.	ENGINE KIT
<a href="#">855035-070</a>	.	ENGINE KIT
<a href="#">855035-071</a>	.	ENGINE KIT
<a href="#">855035-075</a>	.	ENGINE KIT
<a href="#">855035-081</a>	.	ENGINE KIT
<a href="#">855035-082</a>	.	ENGINE KIT
<a href="#">855035-086</a>	.	ENGINE KIT
<a href="#">855035-087</a>	.	ENGINE KIT
<a href="#">855036-001</a>	.	ENGINE KIT
<a href="#">855036-001HP</a>	.	HIGH PERFORMANCE ENGINE KIT
<a href="#">855036-002</a>	.	ENGINE KIT
<a href="#">855036-006</a>	.	ENGINE KIT
<a href="#">855036-011</a>	.	ENGINE KIT
<a href="#">855036-016</a>	.	ENGINE KIT
<a href="#">855036-017</a>	.	ENGINE KIT
<a href="#">855036-017HP</a>	.	HIGH PERFORMANCE INFRAME ENGINE KIT
<a href="#">855036-018</a>	.	ENGINE KIT
<a href="#">855036-022</a>	.	ENGINE KIT
<a href="#">855036-032</a>	.	ENGINE KIT
<a href="#">855036-033</a>	.	ENGINE KIT

Copyright © 2020 PAI Industries, Inc.

All rights reserved. All content is property of PAI Industries, Inc. and may not be reproduced or redistributed in any form.

Any reference to OEM names or OEM product identification numbers/descriptions/model numbers is for identification only and does not indicate that it is an OEM part. PAI is not affiliated with Mack Truck, Inc.®, Volvo®, Fuller®, Cummins®, Eaton®, Rockwell®, Caterpillar®, Freightliner®, Hendrickson®, Kenworth®, Detroit Diesel®, International®, Peterbilt®, or Dana®. All Manufacturer's names, numbers, symbols and descriptions are used for reference only. It is not implied that any part listed is the product of these manufacturers.

## OIL PAN GASKET INSTALLATION KIT

131394

<a href="#">855036-038</a>	.	ENGINE KIT
<a href="#">855036-043</a>	.	ENGINE KIT
<a href="#">855036-049</a>	.	ENGINE KIT
<a href="#">855036-054</a>	.	ENGINE KIT
<a href="#">855036-058</a>	.	ENGINE KIT
<a href="#">855036-065</a>	.	ENGINE KIT
<a href="#">855036-070</a>	.	ENGINE KIT
<a href="#">855036-081</a>	.	ENGINE KIT
<a href="#">855036-097</a>	.	ENGINE KIT
<a href="#">855036-113</a>	.	INFRAME ENGINE KIT
<a href="#">855037-001</a>	.	ENGINE KIT
<a href="#">855037-016</a>	.	ENGINE KIT
<a href="#">855037-017</a>	.	ENGINE KIT
<a href="#">855037-065</a>	.	ENGINE KIT
<a href="#">855038-017</a>	.	ENGINE KIT
<a href="#">855038-054</a>	.	ENGINE KIT
<a href="#">855039-017</a>	.	ENGINE KIT
<a href="#">855039-022</a>	.	ENGINE KIT
<a href="#">855039-032</a>	.	ENGINE KIT
<a href="#">855042-001</a>	.	ENGINE KIT
<a href="#">855042-005</a>	.	ENGINE KIT
<a href="#">855042-006</a>	.	ENGINE KIT
<a href="#">855042-017</a>	.	ENGINE KIT
<a href="#">855042-033</a>	.	ENGINE KIT
<a href="#">855042-065</a>	.	ENGINE KIT
<a href="#">855042-070</a>	.	ENGINE KIT
<a href="#">855042-073</a>	.	ENGINE KIT
<a href="#">855042-081</a>	.	ENGINE KIT
<a href="#">855042-086</a>	.	ENGINE KIT
<a href="#">855044-001</a>	.	ENGINE KIT
<a href="#">855044-006</a>	.	ENGINE KIT
<a href="#">855044-017</a>	.	ENGINE KIT
<a href="#">855044-022</a>	.	ENGINE KIT
<a href="#">855044-033</a>	.	ENGINE KIT
<a href="#">855044-065</a>	.	ENGINE KIT
<a href="#">855044-070</a>	.	ENGINE KIT
<a href="#">855044-081</a>	.	ENGINE KIT
<a href="#">855046-001</a>	.	ENGINE KIT
<a href="#">855046-017</a>	.	ENGINE KIT
<a href="#">855046-065</a>	.	ENGINE KIT

Copyright © 2020 PAI Industries, Inc.

All rights reserved. All content is property of PAI Industries, Inc. and may not be reproduced or redistributed in any form.

Any reference to OEM names or OEM product identification numbers/descriptions/model numbers is for identification only and does not indicate that it is an OEM part. PAI is not affiliated with Mack Truck, Inc.®, Volvo®, Fuller®, Cummins®, Eaton®, Rockwell®, Caterpillar®, Freightliner®, Hendrickson®, Kenworth®, Detroit Diesel®, International®, Peterbilt®, or Dana®. All Manufacturer's names, numbers, symbols and descriptions are used for reference only. It is not implied that any part listed is the product of these manufacturers.

## OIL PAN GASKET INSTALLATION KIT

131394

<a href="#">855047-001</a>	.	ENGINE KIT
<a href="#">855047-017</a>	.	ENGINE KIT
<a href="#">855047-018</a>	.	ENGINE KIT
<a href="#">855047-019</a>	.	ENGINE KIT
<a href="#">855047-022</a>	.	ENGINE KIT
<a href="#">855047-027</a>	.	ENGINE KIT
<a href="#">855047-065</a>	.	ENGINE KIT
<a href="#">855047-081</a>	.	ENGINE KIT
<a href="#">855047-086</a>	.	ENGINE KIT
<a href="#">855047G-017</a>	.	INFRAME ENGINE KIT
<a href="#">855047G-113</a>	.	INFRAME ENGINE KIT
<a href="#">855048-001</a>	.	ENGINE KIT
<a href="#">855048-017</a>	.	ENGINE KIT
<a href="#">855048-018</a>	.	ENGINE KIT
<a href="#">855048-022</a>	.	ENGINE KIT
<a href="#">855049-017</a>	.	ENGINE KIT
<a href="#">855049-081</a>	.	ENGINE KIT
<a href="#">855049-086</a>	.	INFRAME ENGINE KIT
<a href="#">855050-001</a>	.	ENGINE KIT
<a href="#">855050-017</a>	.	ENGINE KIT
<a href="#">855050-018</a>	.	ENGINE KIT
<a href="#">855050-021</a>	.	ENGINE KIT
<a href="#">855050-022</a>	.	ENGINE KIT
<a href="#">855050-049</a>	.	ENGINE KIT
<a href="#">855050-081</a>	.	ENGINE KIT
<a href="#">855050-086</a>	.	ENGINE KIT
<a href="#">855051-001</a>	.	ENGINE KIT
<a href="#">855051-017</a>	.	ENGINE KIT
<a href="#">855051-018</a>	.	ENGINE KIT
<a href="#">855051-022</a>	.	ENGINE KIT
<a href="#">855051-023</a>	.	ENGINE KIT
<a href="#">855051-081</a>	.	ENGINE KIT
<a href="#">855052-001</a>	.	ENGINE KIT
<a href="#">855052-017</a>	.	ENGINE KIT
<a href="#">855052-017HP</a>	.	HIGH PERFORMANCE ENGINE KIT
<a href="#">855052-018</a>	.	ENGINE KIT
<a href="#">855052-022</a>	.	ENGINE KIT
<a href="#">855052-023</a>	.	ENGINE KIT
<a href="#">855052-026</a>	.	DUAL-NI ENGINE KIT

Copyright © 2020 PAI Industries, Inc.

All rights reserved. All content is property of PAI Industries, Inc. and may not be reproduced or redistributed in any form.

Any reference to OEM names or OEM product identification numbers/descriptions/model numbers is for identification only and does not indicate that it is an OEM part. PAI is not affiliated with Mack Truck, Inc.®, Volvo®, Fuller®, Cummins®, Eaton®, Rockwell®, Caterpillar®, Freightliner®, Hendrickson®, Kenworth®, Detroit Diesel®, International®, Peterbilt®, or Dana®. All Manufacturer's names, numbers, symbols and descriptions are used for reference only. It is not implied that any part listed is the product of these manufacturers.

## OIL PAN GASKET INSTALLATION KIT

131394

<a href="#">855052-027</a>	.	ENGINE KIT
<a href="#">855052-033</a>	.	ENGINE KIT
<a href="#">855052-049</a>	.	ENGINE KIT
<a href="#">855052-054</a>	.	ENGINE KIT
<a href="#">855052-065</a>	.	ENGINE KIT
<a href="#">855052-070</a>	.	ENGINE KIT
<a href="#">855052-081</a>	.	ENGINE KIT
<a href="#">855052-086</a>	.	ENGINE KIT
<a href="#">855055-001</a>	.	ENGINE KIT
<a href="#">855055-017</a>	.	ENGINE KIT
<a href="#">855056-001</a>	.	ENGINE KIT
<a href="#">855056-017</a>	.	ENGINE KIT
<a href="#">855056-070</a>	.	ENGINE KIT
<a href="#">855057-001</a>	.	ENGINE KIT
<a href="#">855057-017</a>	.	ENGINE KIT
<a href="#">855058-017</a>	.	ENGINE KIT
<a href="#">855059-001</a>	.	ENGINE KIT
<a href="#">855059-017</a>	.	ENGINE KIT
<a href="#">855059-022</a>	.	ENGINE KIT
<a href="#">855062-001</a>	.	ENGINE KIT
<a href="#">855062-017</a>	.	ENGINE KIT
<a href="#">855067-017</a>	.	ENGINE KIT
<a href="#">855067-022</a>	.	ENGINE KIT
<a href="#">855069-017</a>	.	ENGINE KIT
<a href="#">855069-019</a>	.	ENGINE KIT
<a href="#">855069-021</a>	.	ENGINE KIT
<a href="#">855069-022</a>	.	ENGINE KIT
<a href="#">855069-027</a>	.	ENGINE KIT
<a href="#">855069-081</a>	.	ENGINE KIT
<a href="#">855070-017</a>	.	ENGINE KIT
<a href="#">855070-018</a>	.	ENGINE KIT
<a href="#">855070-081</a>	.	ENGINE KIT
<a href="#">855070-086</a>	.	ENGINE KIT
<a href="#">855072-001</a>	.	ENGINE KIT
<a href="#">855072-017</a>	.	ENGINE KIT
<a href="#">855072-017HP</a>	.	HIGH PERFORMANCE ENGINE KIT
<a href="#">855072-081</a>	.	ENGINE KIT
<a href="#">855075-001</a>	.	ENGINE KIT
<a href="#">855075-017</a>	.	ENGINE KIT
<a href="#">855075-070</a>	.	ENGINE KIT

Copyright © 2020 PAI Industries, Inc.

All rights reserved. All content is property of PAI Industries, Inc. and may not be reproduced or redistributed in any form.

Any reference to OEM names or OEM product identification numbers/descriptions/model numbers is for identification only and does not indicate that it is an OEM part. PAI is not affiliated with Mack Truck, Inc.®, Volvo®, Fuller®, Cummins®, Eaton®, Rockwell®, Caterpillar®, Freightliner®, Hendrickson®, Kenworth®, Detroit Diesel®, International®, Peterbilt®, or Dana®. All Manufacturer's names, numbers, symbols and descriptions are used for reference only. It is not implied that any part listed is the product of these manufacturers.

## OIL PAN GASKET INSTALLATION KIT

131394

<a href="#">855077-001</a>	.	ENGINE KIT
<a href="#">855077-017</a>	.	ENGINE KIT
<a href="#">855078-001</a>	.	ENGINE KIT
<a href="#">855078-002</a>	.	ENGINE KIT
<a href="#">855078-006</a>	.	ENGINE KIT
<a href="#">855078-017</a>	.	ENGINE KIT
<a href="#">855078-017HP</a>	.	HIGH PERFORMANCE INFRAME ENGINE KIT
<a href="#">855078-018</a>	.	ENGINE KIT
<a href="#">855078-022</a>	.	ENGINE KIT
<a href="#">855078-049</a>	.	ENGINE KIT
<a href="#">855078-054</a>	.	ENGINE KIT
<a href="#">855078-065</a>	.	ENGINE KIT
<a href="#">855078-081</a>	.	ENGINE KIT
<a href="#">855078-086</a>	.	ENGINE KIT
<a href="#">855079-001</a>	.	ENGINE KIT
<a href="#">855079-001HP</a>	.	HIGH PERFORMANCE ENGINE KIT
<a href="#">855079-017</a>	.	ENGINE KIT
<a href="#">855079-017HP</a>	.	HIGH PERFORMANCE ENGINE KIT
<a href="#">855079-018</a>	.	ENGINE KIT
<a href="#">855079-019</a>	.	ENGINE KIT
<a href="#">855079-021</a>	.	DUAL-NI ENGINE KIT
<a href="#">855079-022</a>	.	ENGINE KIT
<a href="#">855079-024</a>	.	ENGINE KIT
<a href="#">855079-049</a>	.	ENGINE KIT
<a href="#">855079-054</a>	.	ENGINE KIT
<a href="#">855079-065</a>	.	ENGINE KIT
<a href="#">855079-071</a>	.	ENGINE KIT
<a href="#">855079-081</a>	.	ENGINE KIT
<a href="#">855079-082</a>	.	ENGINE KIT
<a href="#">855079-086</a>	.	ENGINE KIT
<a href="#">855079G-017</a>	.	ENGINE KIT
<a href="#">855080-001</a>	.	ENGINE KIT
<a href="#">855080-006</a>	.	ENGINE KIT
<a href="#">855081-001</a>	.	ENGINE KIT
<a href="#">855081-006</a>	.	ENGINE KIT
<a href="#">855082-001</a>	.	ENGINE KIT
<a href="#">855100-017</a>	.	ENGINE KIT
<a href="#">855100-081</a>	.	INFRAME ENGINE KIT
<a href="#">855100-085</a>	.	INFRAME ENGINE KIT

Copyright © 2020 PAI Industries, Inc.

All rights reserved. All content is property of PAI Industries, Inc. and may not be reproduced or redistributed in any form.

Any reference to OEM names or OEM product identification numbers/descriptions/model numbers is for identification only and does not indicate that it is an OEM part. PAI is not affiliated with Mack Truck, Inc.®, Volvo®, Fuller®, Cummins®, Eaton®, Rockwell®, Caterpillar®, Freightliner®, Hendrickson®, Kenworth®, Detroit Diesel®, International®, Peterbilt®, or Dana®. All Manufacturer's names, numbers, symbols and descriptions are used for reference only. It is not implied that any part listed is the product of these manufacturers.

## OIL PAN GASKET INSTALLATION KIT

131394

<a href="#">855108-001</a>	.	ENGINE KIT
<a href="#">855128-001</a>	.	ENGINE KIT
<a href="#">855148-001</a>	.	ENGINE KIT
<a href="#">855345-001</a>	.	ENGINE KIT
<a href="#">855345-065</a>	.	ENGINE KIT
<a href="#">N14101-017</a>	.	ENGINE KIT
<a href="#">N14101-018</a>	.	INFRAME ENGINE KIT
<a href="#">N14101-022</a>	.	INFRAME ENGINE KIT
<a href="#">N14101-081</a>	.	INFRAME ENGINE KIT
<a href="#">N14102-017</a>	.	ENGINE KIT
<a href="#">N14102-019</a>	.	INFRAME ENGINE KIT
<a href="#">N14102-021</a>	.	INFRAME ENGINE KIT
<a href="#">N14102-022</a>	.	INFRAME ENGINE KIT
<a href="#">N14102-025</a>	.	ENGINE KIT
<a href="#">N14102-027</a>	.	INFRAME ENGINE KIT
<a href="#">N14102-049</a>	.	INFRAME ENGINE KIT
<a href="#">N14102-081</a>	.	INFRAME ENGINE KIT
<a href="#">N14102-086</a>	.	INFRAME ENGINE KIT
<a href="#">N14103-017</a>	.	ENGINE KIT
<a href="#">N14103-018</a>	.	INFRAME ENGINE KIT
<a href="#">N14103-022</a>	.	INFRAME ENGINE KIT
<a href="#">N14103-054</a>	.	INFRAME ENGINE KIT
<a href="#">N14103-081</a>	.	INFRAME ENGINE KIT
<a href="#">N14104-017</a>	.	ENGINE KIT
<a href="#">N14104-018</a>	.	INFRAME ENGINE KIT
<a href="#">N14104-021</a>	.	INFRAME ENGINE KIT
<a href="#">N14104-022</a>	.	INFRAME ENGINE KIT
<a href="#">N14104-081</a>	.	INFRAME ENGINE KIT
<a href="#">N14124-017</a>	.	ENGINE KIT
<a href="#">N14124-023</a>	.	ENGINE KIT
<a href="#">N14124-027</a>	.	ENGINE KIT
<a href="#">N14124-081</a>	.	ENGINE KIT
<a href="#">N14221-017</a>		ENGINE KIT
<a href="#">N14221-017HP</a>	.	HIGH PERFORMANCE ENGINE KIT
<a href="#">N14221-018</a>	.	ENGINE KIT

Copyright © 2020 PAI Industries, Inc.

All rights reserved. All content is property of PAI Industries, Inc. and may not be reproduced or redistributed in any form.

Any reference to OEM names or OEM product identification numbers/descriptions/model numbers is for identification only and does not indicate that it is an OEM part. PAI is not affiliated with Mack Truck, Inc.®, Volvo®, Fuller®, Cummins®, Eaton®, Rockwell®, Caterpillar®, Freightliner®, Hendrickson®, Kenworth®, Detroit Diesel®, International®, Peterbilt®, or Dana®. All Manufacturer's names, numbers, symbols and descriptions are used for reference only. It is not implied that any part listed is the product of these manufacturers.

## OIL PAN GASKET INSTALLATION KIT

131394

<a href="#">N14221-019</a>	.	ENGINE KIT
<a href="#">N14221-021</a>	.	ENGINE KIT
<a href="#">N14221-022</a>	.	ENGINE KIT
<a href="#">N14221-023</a>	.	ENGINE KIT
<a href="#">N14221-027</a>	.	ENGINE KIT
<a href="#">N14221-028</a>	.	ENGINE KIT
<a href="#">N14221-031</a>	.	ENGINE KIT
<a href="#">N14221-081</a>	.	ENGINE KIT
<a href="#">N14221-081HP</a>	.	HIGH PERFORMANCE ENGINE KIT
<a href="#">N14221-086</a>	.	ENGINE KIT
<a href="#">N14221-113</a>	.	ENGINE KIT
<a href="#">N14221-114</a>	.	INFRAME ENGINE KIT
<a href="#">N14221-115</a>	.	ENGINE KIT
<a href="#">N14221-118</a>	.	ENGINE KIT
<a href="#">N14221-119</a>	.	ENGINE KIT
<a href="#">N14221-145</a>	.	ENGINE KIT
<a href="#">N14222-017</a>	.	INFRAME ENGINE KIT
<a href="#">N14222-017HP</a>	.	HIGH PERFORMANCE ENGINE KIT
<a href="#">N14222-018</a>	.	ENGINE KIT
<a href="#">N14222-021</a>	.	ENGINE KIT
<a href="#">N14222-022</a>	.	INFRAME ENGINE KIT
<a href="#">N14222-023</a>	.	ENGINE KIT
<a href="#">N14222-024</a>	.	INFRAME ENGINE KIT
<a href="#">N14222-026</a>	.	INFRAME ENGINE KIT
<a href="#">N14222-027</a>	.	INFRAME ENGINE KIT
<a href="#">N14222-031</a>	.	INFRAME ENGINE KIT
<a href="#">N14222-049</a>	.	ENGINE KIT
<a href="#">N14222-081</a>	.	INFRAME ENGINE KIT
<a href="#">N14222-086</a>	.	INFRAME ENGINE KIT
<a href="#">N14222-091</a>	.	ENGINE KIT
<a href="#">N14222-113</a>	.	INFRAME ENGINE KIT
<a href="#">N14222-118</a>	.	INFRAME ENGINE KIT
<a href="#">N14222-119</a>	.	ENGINE KIT
<a href="#">N14222-123</a>	.	ENGINE KIT
<a href="#">N14222-145</a>	.	INFRAME ENGINE KIT
<a href="#">N14223-017</a>	.	ENGINE KIT
<a href="#">N14223-017HP</a>	.	HIGH PERFORMANCE INFRAME ENGINE KIT
<a href="#">N14223-022</a>	.	ENGINE KIT
<a href="#">N14223-027</a>	.	ENGINE KIT
<a href="#">N14223-081</a>	.	ENGINE KIT

Copyright © 2020 PAI Industries, Inc.

All rights reserved. All content is property of PAI Industries, Inc. and may not be reproduced or redistributed in any form.

Any reference to OEM names or OEM product identification numbers/descriptions/model numbers is for identification only and does not indicate that it is an OEM part. PAI is not affiliated with Mack Truck, Inc.®, Volvo®, Fuller®, Cummins®, Eaton®, Rockwell®, Caterpillar®, Freightliner®, Hendrickson®, Kenworth®, Detroit Diesel®, International®, Peterbilt®, or Dana®. All Manufacturer's names, numbers, symbols and descriptions are used for reference only. It is not implied that any part listed is the product of these manufacturers.

# OIL PAN GASKET INSTALLATION KIT

# 131394

[N14223-086](#)

ENGINE KIT

**Cross Reference:**

Manufacturer	OEM Number
CUMMINS	3804303

**Copyright © 2020 PAI Industries, Inc.**

All rights reserved. All content is property of PAI Industries, Inc. and may not be reproduced or redistributed in any form.

Any reference to OEM names or OEM product identification numbers/descriptions/model numbers is for identification only and does not indicate that it is an OEM part. PAI is not affiliated with Mack Truck, Inc.®, Volvo®, Fuller®, Cummins®, Eaton®, Rockwell®, Caterpillar®, Freightliner®, Hendrickson®, Kenworth®, Detroit Diesel®, International®, Peterbilt®, or Dana®. All Manufacturer's names, numbers, symbols and descriptions are used for reference only. It is not implied that any part listed is the product of these manufacturers.