

# CAM FOLLOWER GASKET

131392



<b>Description:</b>	CAM FOLLOWER GASKET
<b>SKU:</b>	131392
<b>OEM:</b>	N/A
<b>Product Group:</b>	ENGINE PARTS
<b>Product Class:</b>	ENGINE GASKETS, O-RINGS & GASKET SETS
<b>UPC Code:</b>	193807135751
<b>Sell Pack:</b>	1 EA
<b>Weight:</b>	0.43 LBS
<b>Package Dimensions (LxWxH):</b>	15 x 11 x 1 inches
<b>Warranty:</b>	2 Years

**Details:**

Cam Follower Gasket Kit  
Cummins 855 Series application

**E-Catalog Pages:**

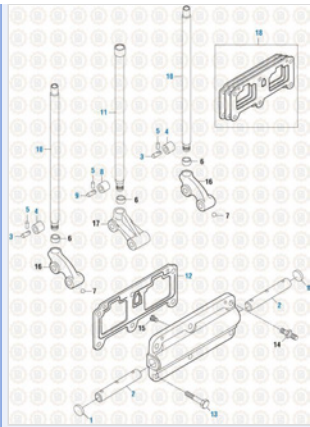
Catalog Page	Description
	<p><b>Cummins Engine 2017</b> Cam Follower Housings Components - 855 Series</p>

Copyright © 2020 PAI Industries, Inc.  
All rights reserved. All content is property of PAI Industries, Inc, and may not be reproduced or redistributed in any form.

Any reference to OEM names or OEM product identification numbers/descriptions/model numbers is for identification only and does not indicate that it is an OEM part. PAI is not affiliated with Mack Truck, Inc.®, Volvo®, Fuller®, Cummins®, Eaton®, Rockwell®, Caterpillar®, Freightliner®, Hendrickson®, Kenworth®, Detroit Diesel®, International®, Peterbilt®, or Dana®. All Manufacturer's names, numbers, symbols and descriptions are used for reference only. It is not implied that any part listed is the product of these manufacturers.

# CAM FOLLOWER GASKET

131392



Cummins Engine 2017  
Cam Follower Housing Components - N14 Series

Consists Of:					
SKU	OEM	Image	Description	Quantity	
<a href="#">131373</a>	3074400		SILICONE SEALING BEAD GASKET	3	
<a href="#">131374</a>	3074401		CAM FOLLOWER GASKET	3	
<a href="#">131375</a>	3074402		CAM FOLLOWER GASKET	3	
<a href="#">131376</a>	3074404		CAM FOLLOWER GASKET	3	

Component Of:		
SKU	Image	Description

Copyright © 2020 PAI Industries, Inc.  
All rights reserved. All content is property of PAI Industries, Inc, and may not be reproduced or redistributed in any form.

Any reference to OEM names or OEM product identification numbers/descriptions/model numbers is for identification only and does not indicate that it is an OEM part. PAI is not affiliated with Mack Truck, Inc.®, Volvo®, Fuller®, Cummins®, Eaton®, Rockwell®, Caterpillar®, Freightliner®, Hendrickson®, Kenworth®, Detroit Diesel®, International®, Peterbilt®, or Dana®. All Manufacturer's names, numbers, symbols and descriptions are used for reference only. It is not implied that any part listed is the product of these manufacturers.

# CAM FOLLOWER GASKET

131392

[131273](#)



LOWER GASKET SET

[131332](#)



LOWER GASKET KIT

[131333](#)



LOWER GASKET KIT

[131337](#)



LOWER GASKET KIT

[131338](#)



LOWER GASKET KIT

Copyright © 2020 PAI Industries, Inc.

All rights reserved. All content is property of PAI Industries, Inc, and may not be reproduced or redistributed in any form.

Any reference to OEM names or OEM product identification numbers/descriptions/model numbers is for identification only and does not indicate that it is an OEM part. PAI is not affiliated with Mack Truck, Inc.®, Volvo®, Fuller®, Cummins®, Eaton®, Rockwell®, Caterpillar®, Freightliner®, Hendrickson®, Kenworth®, Detroit Diesel®, International®, Peterbilt®, or Dana®. All Manufacturer's names, numbers, symbols and descriptions are used for reference only. It is not implied that any part listed is the product of these manufacturers.