

MOUNTING GASKET

131361



Description: MOUNTING GASKET
SKU: 131361
OEM: 3067613
Product Group: ENGINE PARTS
Product Class: ENGINE GASKETS, O-RINGS & GASKET SETS
UPC Code: 193807135386
Sell Pack: 10 EA
 (Available to buy in increments of 10)
Weight: 0.23 LBS
Warranty: 2 Years



Details:
 Mounting Gasket
 Pump to Block
 Cummins 855 Series application

E-Catalog Pages:

Catalog Page	Description
	<p>Cummins Engine 2017 Front Cover and Components - 855 Series</p>

Copyright © 2020 PAI Industries, Inc.
 All rights reserved. All content is property of PAI Industries, Inc. and may not be reproduced or redistributed in any form.

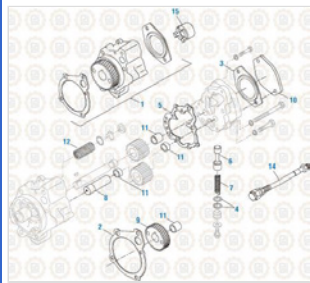
Any reference to OEM names or OEM product identification numbers/descriptions/model numbers is for identification only and does not indicate that it is an OEM part. PAI is not affiliated with Mack Truck, Inc.®, Volvo®, Fuller®, Cummins®, Eaton®, Rockwell®, Caterpillar®, Freightliner®, Hendrickson®, Kenworth®, Detroit Diesel®, International®, Peterbilt®, or Dana®. All Manufacturer's names, numbers, symbols and descriptions are used for reference only. It is not implied that any part listed is the product of these manufacturers.

MOUNTING GASKET

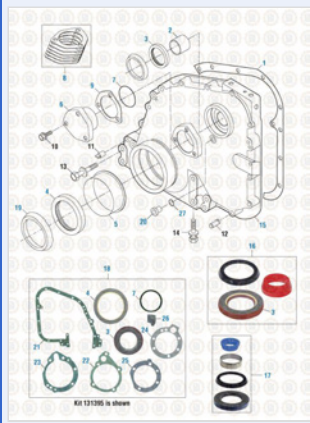
131361



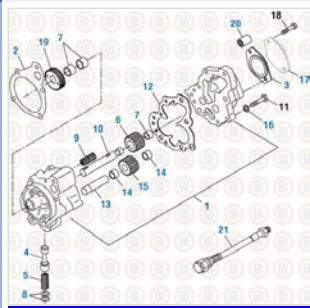
Cummins Engine 2017
Small Cam and Big Cam I - 855 Series



Cummins Engine 2017
Big Cam II, III and IV - FFC - 855 Series



Cummins Engine 2017
Front Covers Components - N14 Series



Cummins Engine 2017
Oil Pump Assembly - N14 Series

Component Of:

SKU	Image	Description

Copyright © 2020 PAI Industries, Inc.
All rights reserved. All content is property of PAI Industries, Inc. and may not be reproduced or redistributed in any form.

Any reference to OEM names or OEM product identification numbers/descriptions/model numbers is for identification only and does not indicate that it is an OEM part. PAI is not affiliated with Mack Truck, Inc.®, Volvo®, Fuller®, Cummins®, Eaton®, Rockwell®, Caterpillar®, Freightliner®, Hendrickson®, Kenworth®, Detroit Diesel®, International®, Peterbilt®, or Dana®. All Manufacturer's names, numbers, symbols and descriptions are used for reference only. It is not implied that any part listed is the product of these manufacturers.

MOUNTING GASKET

131361

[131273](#)



LOWER GASKET SET

[131331](#)

LOWER GASKET KIT

[131332](#)



LOWER GASKET KIT

[131333](#)

LOWER GASKET KIT

[131334](#)

LOWER GASKET KIT

[131336](#)

LOWER GASKET KIT

[131337](#)



LOWER GASKET KIT

[131338](#)



LOWER GASKET KIT

[131395](#)



FRONT COVER GASKET KIT

[131421](#)

LOWER GASKET KIT

[131422](#)

LOWER GASKET KIT

[131539](#)



LOWER GASKET KIT

Copyright © 2020 PAI Industries, Inc.
All rights reserved. All content is property of PAI Industries, Inc. and may not be reproduced or redistributed in any form.

Any reference to OEM names or OEM product identification numbers/descriptions/model numbers is for identification only and does not indicate that it is an OEM part. PAI is not affiliated with Mack Truck, Inc.®, Volvo®, Fuller®, Cummins®, Eaton®, Rockwell®, Caterpillar®, Freightliner®, Hendrickson®, Kenworth®, Detroit Diesel®, International®, Peterbilt®, or Dana®. All Manufacturer's names, numbers, symbols and descriptions are used for reference only. It is not implied that any part listed is the product of these manufacturers.

MOUNTING GASKET

131361

[131595](#)



FRONT COVER GASKET KIT

[131596](#)



FRONT COVER GASKET KIT

[131800](#)

OVERHAUL GASKET KIT

[131933](#)

LOWER GASKET KIT

[141292](#)

OIL PUMP

[141294](#)



OIL PUMP ASSEMBLY

[141294E](#)



OIL PUMP ASSEMBLY

[141295](#)



OIL PUMP ASSEMBLY

[141295E](#)





OIL PUMP ASSEMBLY

Copyright © 2020 PAI Industries, Inc.
All rights reserved. All content is property of PAI Industries, Inc. and may not be reproduced or redistributed in any form.

Any reference to OEM names or OEM product identification numbers/descriptions/model numbers is for identification only and does not indicate that it is an OEM part. PAI is not affiliated with Mack Truck, Inc.®, Volvo®, Fuller®, Cummins®, Eaton®, Rockwell®, Caterpillar®, Freightliner®, Hendrickson®, Kenworth®, Detroit Diesel®, International®, Peterbilt®, or Dana®. All Manufacturer's names, numbers, symbols and descriptions are used for reference only. It is not implied that any part listed is the product of these manufacturers.

MOUNTING GASKET

131361

141300		OIL PUMP ASSEMBLY
141300E		OIL PUMP ASSEMBLY

Cross Reference:	
Manufacturer	OEM Number
CUMMINS	121907
CUMMINS	3031434
CUMMINS	3067613
NAVISTAR	454865C1

Copyright © 2020 PAI Industries, Inc.
 All rights reserved. All content is property of PAI Industries, Inc, and may not be reproduced or redistributed in any form.

Any reference to OEM names or OEM product identification numbers/descriptions/model numbers is for identification only and does not indicate that it is an OEM part. PAI is not affiliated with Mack Truck, Inc.®, Volvo®, Fuller®, Cummins®, Eaton®, Rockwell®, Caterpillar®, Freightliner®, Hendrickson®, Kenworth®, Detroit Diesel®, International®, Peterbilt®, or Dana®. All Manufacturer's names, numbers, symbols and descriptions are used for reference only. It is not implied that any part listed is the product of these manufacturers.