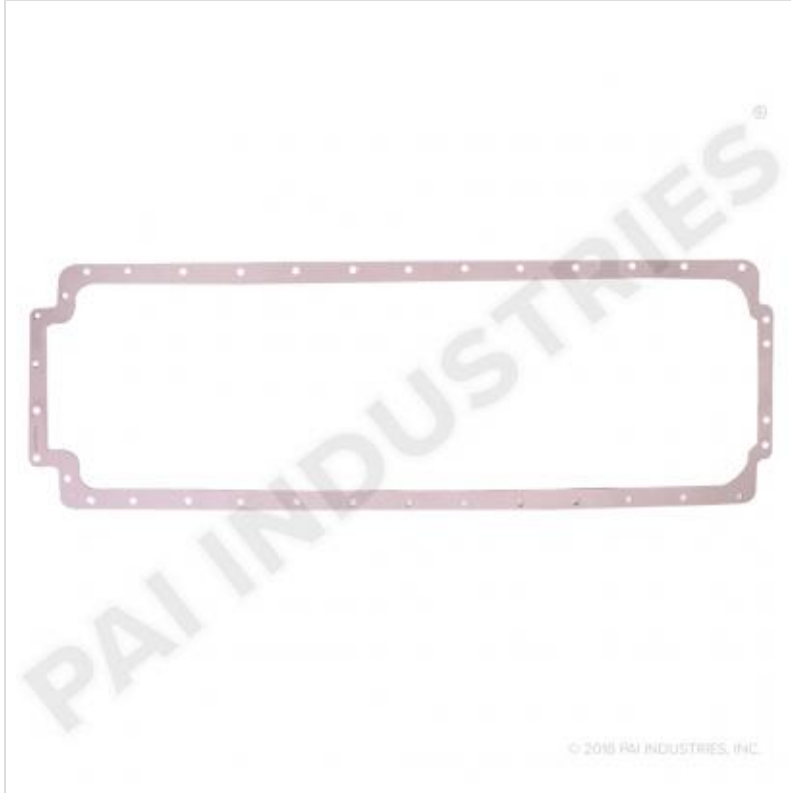


OIL PAN GASKET

131347



Description:	OIL PAN GASKET
SKU:	131347
OEM:	3032861
Product Group:	ENGINE PARTS
Product Class:	ENGINE GASKETS, O-RINGS & GASKET SETS
UPC Code:	193807135218
Sell Pack:	1 EA
Weight:	2.00 LBS
Package Dimensions (LxWxH):	48 x 19 x 1 inches
Warranty:	2 Years



Details:
Oil Pan Gasket One Piece Cummins 855 Series application

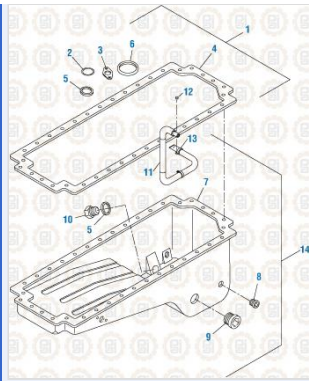
E-Catalog Pages:	
Catalog Page	Description
	Cummins Engine 2017 Cylinder Block Components - Small Cam - Non-FFC and FFC, Big Cam - FFC, Including 88NT - 855 Series

Copyright © 2020 PAI Industries, Inc.
 All rights reserved. All content is property of PAI Industries, Inc, and may not be reproduced or redistributed in any form.

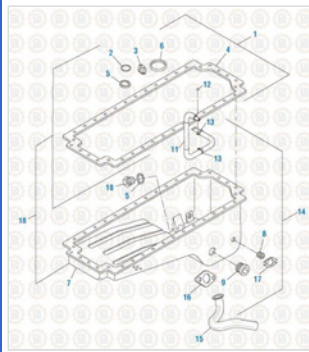
Any reference to OEM names or OEM product identification numbers/descriptions/model numbers is for identification only and does not indicate that it is an OEM part. PAI is not affiliated with Mack Truck, Inc.®, Volvo®, Fuller®, Cummins®, Eaton®, Rockwell®, Caterpillar®, Freightliner®, Hendrickson®, Kenworth®, Detroit Diesel®, International®, Peterbilt®, or Dana®. All Manufacturer's names, numbers, symbols and descriptions are used for reference only. It is not implied that any part listed is the product of these manufacturers.

OIL PAN GASKET

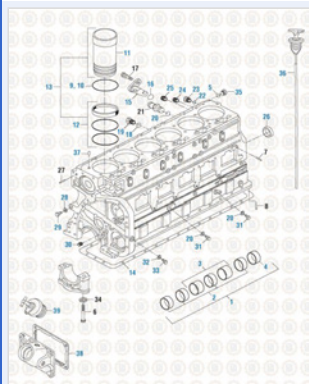
131347



Cummins Engine 2017
Oil Pan Kit and Components - 855 Series



Cummins Engine 2017
Oil Pan and Components - N14 Series



Cummins Engine 2017
Cylinder Block Components - N14 Series

Heavy Duty Oil Pans and Gaskets
Oil Pan Gasket

Component Of:






SKU	Image	Description
131273		LOWER GASKET SET

Copyright © 2020 PAI Industries, Inc.
All rights reserved. All content is property of PAI Industries, Inc. and may not be reproduced or redistributed in any form.

Any reference to OEM names or OEM product identification numbers/descriptions/model numbers is for identification only and does not indicate that it is an OEM part. PAI is not affiliated with Mack Truck, Inc.®, Volvo®, Fuller®, Cummins®, Eaton®, Rockwell®, Caterpillar®, Freightliner®, Hendrickson®, Kenworth®, Detroit Diesel®, International®, Peterbilt®, or Dana®. All Manufacturer's names, numbers, symbols and descriptions are used for reference only. It is not implied that any part listed is the product of these manufacturers.

OIL PAN GASKET

131347

131331		LOWER GASKET KIT
131332		LOWER GASKET KIT
131333		LOWER GASKET KIT
131334		LOWER GASKET KIT
131336		LOWER GASKET KIT
131337		LOWER GASKET KIT
131338		LOWER GASKET KIT
131394		OIL PAN GASKET INSTALLATION KIT
131422		LOWER GASKET KIT
131539		LOWER GASKET KIT
131800		OVERHAUL GASKET KIT
131933		LOWER GASKET KIT

Cross Reference:

Manufacturer	OEM Number
CUMMINS	3032861
CUMMINS	3027983

Copyright © 2020 PAI Industries, Inc.
 All rights reserved. All content is property of PAI Industries, Inc. and may not be reproduced or redistributed in any form.

Any reference to OEM names or OEM product identification numbers/descriptions/model numbers is for identification only and does not indicate that it is an OEM part. PAI is not affiliated with Mack Truck, Inc.®, Volvo®, Fuller®, Cummins®, Eaton®, Rockwell®, Caterpillar®, Freightliner®, Hendrickson®, Kenworth®, Detroit Diesel®, International®, Peterbilt®, or Dana®. All Manufacturer's names, numbers, symbols and descriptions are used for reference only. It is not implied that any part listed is the product of these manufacturers.

OIL PAN GASKET

131347

CUMMINS	3406669
CUMMINS	3349820
CUMMINS	3031469
CUMMINS	3048066
CUMMINS	3068463
CUMMINS	3099083
CUMMINS	178788

Copyright © 2020 PAI Industries, Inc.

All rights reserved. All content is property of PAI Industries, Inc, and may not be reproduced or redistributed in any form.

Any reference to OEM names or OEM product identification numbers/descriptions/model numbers is for identification only and does not indicate that it is an OEM part. PAI is not affiliated with Mack Truck, Inc.®, Volvo®, Fuller®, Cummins®, Eaton®, Rockwell®, Caterpillar®, Freightliner®, Hendrickson®, Kenworth®, Detroit Diesel®, International®, Peterbilt®, or Dana®. All Manufacturer's names, numbers, symbols and descriptions are used for reference only. It is not implied that any part listed is the product of these manufacturers.