

GASKET

131295



Description: GASKET
SKU: 131295
OEM: 157551
Product Group: ENGINE PARTS
Product Class: ENGINE GASKETS, O-RINGS & GASKET SETS
UPC Code: 193807134679
Sell Pack: 10 EA
 (Available to buy in increments of 10)
Weight: 0.11 LBS
Warranty: 2 Years



Details:

Gasket
 Cummins 855 Series application

E-Catalog Pages:

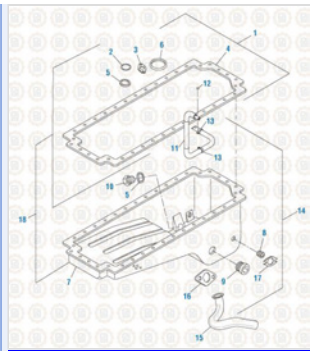
Catalog Page	Description
	<p>Cummins Engine 2017 Oil Pan Kit and Components - 855 Series</p>

Copyright © 2020 PAI Industries, Inc.
 All rights reserved. All content is property of PAI Industries, Inc, and may not be reproduced or redistributed in any form.

Any reference to OEM names or OEM product identification numbers/descriptions/model numbers is for identification only and does not indicate that it is an OEM part. PAI is not affiliated with Mack Truck, Inc.®, Volvo®, Fuller®, Cummins®, Eaton®, Rockwell®, Caterpillar®, Freightliner®, Hendrickson®, Kenworth®, Detroit Diesel®, International®, Peterbilt®, or Dana®. All Manufacturer's names, numbers, symbols and descriptions are used for reference only. It is not implied that any part listed is the product of these manufacturers.

GASKET

131295



Cummins Engine 2017
Oil Pan and Components - N14 Series

Component Of:

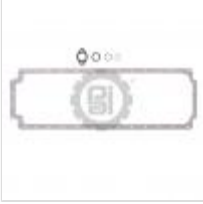

SKU	Image	Description
131273		LOWER GASKET SET
131331	.	LOWER GASKET KIT
131332		LOWER GASKET KIT
131333	.	LOWER GASKET KIT
131334	.	LOWER GASKET KIT
131336	.	LOWER GASKET KIT
131337		LOWER GASKET KIT
131338		LOWER GASKET KIT

Copyright © 2020 PAI Industries, Inc.
All rights reserved. All content is property of PAI Industries, Inc. and may not be reproduced or redistributed in any form.

Any reference to OEM names or OEM product identification numbers/descriptions/model numbers is for identification only and does not indicate that it is an OEM part. PAI is not affiliated with Mack Truck, Inc.®, Volvo®, Fuller®, Cummins®, Eaton®, Rockwell®, Caterpillar®, Freightliner®, Hendrickson®, Kenworth®, Detroit Diesel®, International®, Peterbilt®, or Dana®. All Manufacturer's names, numbers, symbols and descriptions are used for reference only. It is not implied that any part listed is the product of these manufacturers.

GASKET

131295

131394		OIL PAN GASKET INSTALLATION KIT
131421		LOWER GASKET KIT
131422		LOWER GASKET KIT
131539		LOWER GASKET KIT
131800		OVERHAUL GASKET KIT
131933		LOWER GASKET KIT

Cross Reference:	
Manufacturer	OEM Number
CUMMINS	157551

Copyright © 2020 PAI Industries, Inc.
 All rights reserved. All content is property of PAI Industries, Inc, and may not be reproduced or redistributed in any form.

Any reference to OEM names or OEM product identification numbers/descriptions/model numbers is for identification only and does not indicate that it is an OEM part. PAI is not affiliated with Mack Truck, Inc.®, Volvo®, Fuller®, Cummins®, Eaton®, Rockwell®, Caterpillar®, Freightliner®, Hendrickson®, Kenworth®, Detroit Diesel®, International®, Peterbilt®, or Dana®. All Manufacturer's names, numbers, symbols and descriptions are used for reference only. It is not implied that any part listed is the product of these manufacturers.