

RECTANGULAR SEALING RING

121285



Description: RECTANGULAR SEALING RING
SKU: 121285
OEM: 3080769
Product Group: ENGINE PARTS
Product Class: OIL COOLERS & RELATED
UPC Code: 193807090005
Sell Pack: 6 EA
 (Available to buy in increments of 6)
Weight: 0.02 LBS
Warranty: 2 Years



Details:

Rectangular Sealing Ring
 1.362 in I.D. x 0.099 in C/S x 0.099 in Thick
 34.595 mm I.D. x 2.515 mm C/S x 2.151 mm Thick
 EPDM (70) Black Peroxide Cured Series # -126S

E-Catalog Pages:

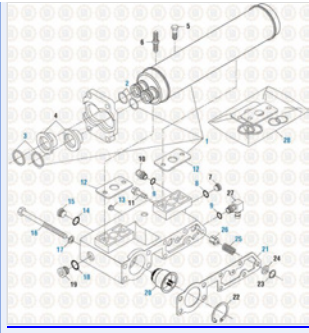
Catalog Page	Description
	<p>O-Rings Rectangular Sealing Rings</p>

Copyright © 2020 PAI Industries, Inc.
 All rights reserved. All content is property of PAI Industries, Inc. and may not be reproduced or redistributed in any form.

Any reference to OEM names or OEM product identification numbers/descriptions/model numbers is for identification only and does not indicate that it is an OEM part. PAI is not affiliated with Mack Truck, Inc.®, Volvo®, Fuller®, Cummins®, Eaton®, Rockwell®, Caterpillar®, Freightliner®, Hendrickson®, Kenworth®, Detroit Diesel®, International®, Peterbilt®, or Dana®. All Manufacturer's names, numbers, symbols and descriptions are used for reference only. It is not implied that any part listed is the product of these manufacturers.

RECTANGULAR SEALING RING

121285



Cummins Engine 2017
M11 Series - L10 / M11 / ISM Series

Component Of:

SKU	Image	Description
331427		REAR GASKET KIT
141426-101		O-RING/GASKET KIT

Cross Reference:

Manufacturer	OEM Number
CATERPILLAR	7L2894
CUMMINS	3080769

Copyright © 2020 PAI Industries, Inc.

All rights reserved. All content is property of PAI Industries, Inc, and may not be reproduced or redistributed in any form.

Any reference to OEM names or OEM product identification numbers/descriptions/model numbers is for identification only and does not indicate that it is an OEM part. PAI is not affiliated with Mack Truck, Inc.®, Volvo®, Fuller®, Cummins®, Eaton®, Rockwell®, Caterpillar®, Freightliner®, Hendrickson®, Kenworth®, Detroit Diesel®, International®, Peterbilt®, or Dana®. All Manufacturer's names, numbers, symbols and descriptions are used for reference only. It is not implied that any part listed is the product of these manufacturers.