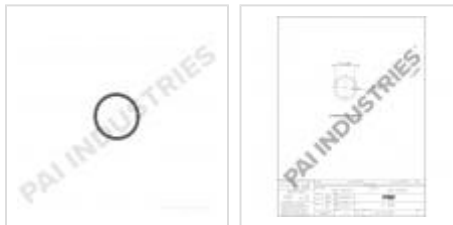


O-RING

121256



Description: O-RING
SKU: 121256
OEM: 3032787
Product Group: ENGINE PARTS
Product Class: OIL PANS & RELATED PARTS
UPC Code: 193807089467
Sell Pack: 6 EA
 (Available to buy in increments of 6)
Weight: 0.02 LBS
Warranty: 2 Years



Details:

O-Ring
 0.103 in C/S x 1.049 in ID
 2.62 mm C/S x 26.64 mm ID
 Viton 75, Series # -121

Substitute:

SKU	Sell Pack	Weight	Warranty	Description
EGS-3900-036	5	0.02 LBS	2 Years	O-RING

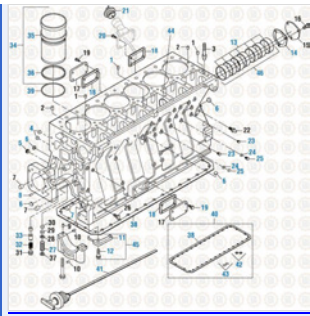
E-Catalog Pages:

Catalog Page	Description
	O-Rings AS568A

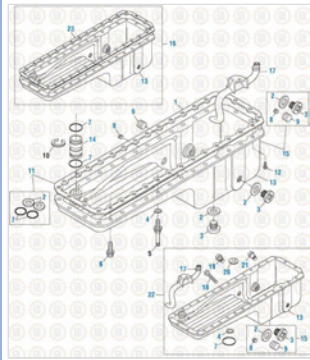
Copyright © 2020 PAI Industries, Inc.
 All rights reserved. All content is property of PAI Industries, Inc, and may not be reproduced or redistributed in any form.
 Any reference to OEM names or OEM product identification numbers/descriptions/model numbers is for identification only and does not indicate that it is an OEM part. PAI is not affiliated with Mack Truck, Inc.®, Volvo®, Fuller®, Cummins®, Eaton®, Rockwell®, Caterpillar®, Freightliner®, Hendrickson®, Kenworth®, Detroit Diesel®, International®, Peterbilt®, or Dana®. All Manufacturer's names, numbers, symbols and descriptions are used for reference only. It is not implied that any part listed is the product of these manufacturers.

O-RING

121256





Cummins Engine 2017
Cylinder Block Components - L10 / M11 / ISM Series



Cummins Engine 2017
Oil Pan - L10 / M11 / ISM Series

Component Of:

SKU	Image	Description
331230	.	UPPER GASKET KIT
331234		UPPER GASKET KIT
331237	.	UPPER GASKET KIT
331239	.	UPPER GASKET KIT
331240	.	UPPER GASKET KIT
331327		FUEL PUMP GASKET KIT
331328	.	UPPER GASKET KIT
331333-154	.	FUEL GASKET KIT

Copyright © 2020 PAI Industries, Inc.
All rights reserved. All content is property of PAI Industries, Inc. and may not be reproduced or redistributed in any form.

Any reference to OEM names or OEM product identification numbers/descriptions/model numbers is for identification only and does not indicate that it is an OEM part. PAI is not affiliated with Mack Truck, Inc.®, Volvo®, Fuller®, Cummins®, Eaton®, Rockwell®, Caterpillar®, Freightliner®, Hendrickson®, Kenworth®, Detroit Diesel®, International®, Peterbilt®, or Dana®. All Manufacturer's names, numbers, symbols and descriptions are used for reference only. It is not implied that any part listed is the product of these manufacturers.

O-RING

121256

[331393](#)



TURBOCHARGER MOUNTING GASKET

[331430](#)

TURBOCHARGER MOUNTING GASKET KIT

[131266-100](#)

GASKET KIT

[131492](#)



OIL PAN GASKET KIT

[131493](#)



OIL PAN GASKET KIT

[141363](#)

OIL PAN KIT

[L10102-003](#)

INFRAME ENGINE KIT

[L10102-005](#)

INFRAME ENGINE KIT

[L10102-006](#)

INFRAME ENGINE KIT

[L10102-007](#)

INFRAME ENGINE KIT

[L10102-009](#)

INFRAME ENGINE KIT

[L10102-010](#)

INFRAME ENGINE KIT

[L10102-011](#)

INFRAME ENGINE KIT

[L10102-013](#)

INFRAME ENGINE KIT

[L10102-014](#)

INFRAME ENGINE KIT

[L10102-015](#)

INFRAME ENGINE KIT

[L10103-003](#)

INFRAME ENGINE KIT

[L10103-005](#)

INFRAME ENGINE KIT

[L10103-007](#)

INFRAME ENGINE KIT

[L10103-009](#)

INFRAME ENGINE KIT

[L10103-010](#)

INFRAME ENGINE KIT

[L10103-011](#)

INFRAME ENGINE KIT

[L10103-013](#)

INFRAME ENGINE KIT

[L10103-014](#)

INFRAME ENGINE KIT

[L10103-015](#)

INFRAME ENGINE KIT

Copyright © 2020 PAI Industries, Inc.

All rights reserved. All content is property of PAI Industries, Inc. and may not be reproduced or redistributed in any form.

Any reference to OEM names or OEM product identification numbers/descriptions/model numbers is for identification only and does not indicate that it is an OEM part. PAI is not affiliated with Mack Truck, Inc.®, Volvo®, Fuller®, Cummins®, Eaton®, Rockwell®, Caterpillar®, Freightliner®, Hendrickson®, Kenworth®, Detroit Diesel®, International®, Peterbilt®, or Dana®. All Manufacturer's names, numbers, symbols and descriptions are used for reference only. It is not implied that any part listed is the product of these manufacturers.

O-RING

121256

Cross Reference:

Manufacturer	OEM Number
CUMMINS	145531
CUMMINS	3032787
MACK	1577-3032787
CATERPILLAR	6V6228

Copyright © 2020 PAI Industries, Inc.

All rights reserved. All content is property of PAI Industries, Inc, and may not be reproduced or redistributed in any form.

Any reference to OEM names or OEM product identification numbers/descriptions/model numbers is for identification only and does not indicate that it is an OEM part. PAI is not affiliated with Mack Truck, Inc.®, Volvo®, Fuller®, Cummins®, Eaton®, Rockwell®, Caterpillar®, Freightliner®, Hendrickson®, Kenworth®, Detroit Diesel®, International®, Peterbilt®, or Dana®. All Manufacturer's names, numbers, symbols and descriptions are used for reference only. It is not implied that any part listed is the product of these manufacturers.