

O-RING

121227



Description: O-RING
SKU: 121227
OEM: 3037537
Product Group: ENGINE PARTS
Product Class: OIL COOLERS & RELATED
UPC Code: 193807089122
Sell Pack: 10 EA
 (Available to buy in increments of 10)
Weight: 0.01 LBS
Warranty: 2 Years



Details:
 O-Ring
 0.078 in x 0.468 in
 1.98 mm x 11.89 mm
 Buna N (90) Series # 3-906

Substitute:

SKU	Sell Pack	Weight	Warranty	Description
GGA-2944	10	0.01 LBS	2 Years	O-RING

E-Catalog Pages:

Catalog Page	Description

Copyright © 2020 PAI Industries, Inc.
 All rights reserved. All content is property of PAI Industries, Inc, and may not be reproduced or redistributed in any form.

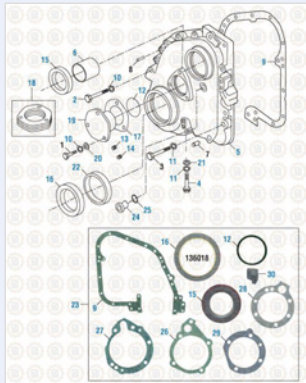
Any reference to OEM names or OEM product identification numbers/descriptions/model numbers is for identification only and does not indicate that it is an OEM part. PAI is not affiliated with Mack Truck, Inc.®, Volvo®, Fuller®, Cummins®, Eaton®, Rockwell®, Caterpillar®, Freightliner®, Hendrickson®, Kenworth®, Detroit Diesel®, International®, Peterbilt®, or Dana®. All Manufacturer's names, numbers, symbols and descriptions are used for reference only. It is not implied that any part listed is the product of these manufacturers.

O-RING

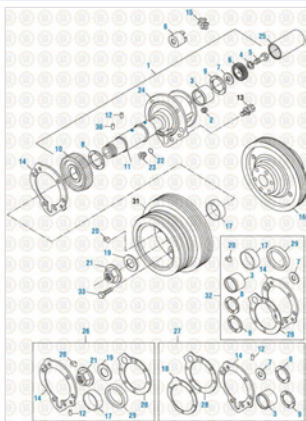
121227



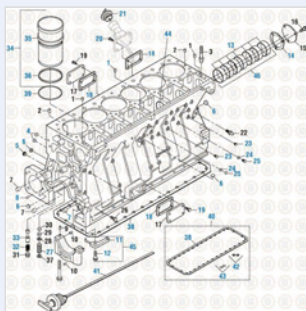
O-Rings
Parker Series 3



Cummins Engine 2017
Front Cover and Components - 855 Series



Cummins Engine 2017
Accessory Drives - 855 Series



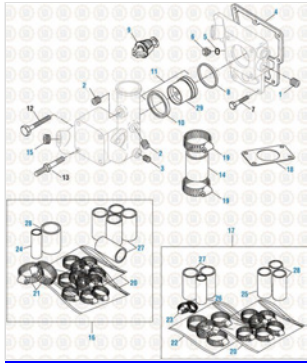
Cummins Engine 2017
Cylinder Block Components - L10 / M11 / ISM Series

Copyright © 2020 PAI Industries, Inc.
All rights reserved. All content is property of PAI Industries, Inc. and may not be reproduced or redistributed in any form.

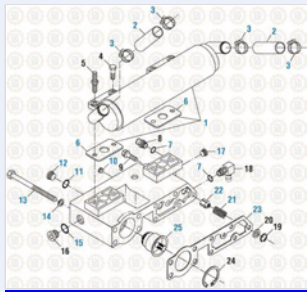
Any reference to OEM names or OEM product identification numbers/descriptions/model numbers is for identification only and does not indicate that it is an OEM part. PAI is not affiliated with Mack Truck, Inc.®, Volvo®, Fuller®, Cummins®, Eaton®, Rockwell®, Caterpillar®, Freightliner®, Hendrickson®, Kenworth®, Detroit Diesel®, International®, Peterbilt®, or Dana®. All Manufacturer's names, numbers, symbols and descriptions are used for reference only. It is not implied that any part listed is the product of these manufacturers.

O-RING

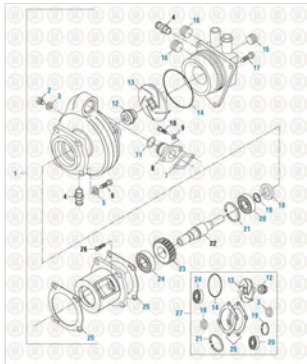
121227



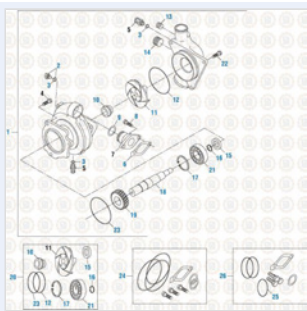
Cummins Engine 2017
Thermostats and Components - L10 Series - L10 / M11 / ISM Series



Cummins Engine 2017
L10 Series - L10 / M11 / ISM Series



Cummins Engine 2017
4 Hole Flange Mount - L10 Series - L10 / M11 / ISM Series



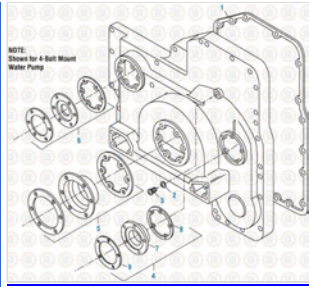
Cummins Engine 2017
3 Hole Flange Mount - L10E, M11 & ISM Series - L10 / M11 / ISM Series

Copyright © 2020 PAI Industries, Inc.
All rights reserved. All content is property of PAI Industries, Inc. and may not be reproduced or redistributed in any form.

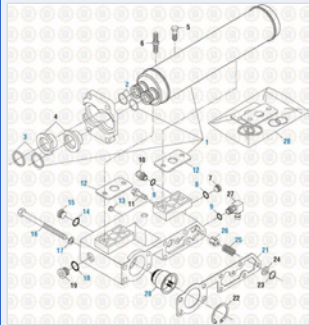
Any reference to OEM names or OEM product identification numbers/descriptions/model numbers is for identification only and does not indicate that it is an OEM part. PAI is not affiliated with Mack Truck, Inc.®, Volvo®, Fuller®, Cummins®, Eaton®, Rockwell®, Caterpillar®, Freightliner®, Hendrickson®, Kenworth®, Detroit Diesel®, International®, Peterbilt®, or Dana®. All Manufacturer's names, numbers, symbols and descriptions are used for reference only. It is not implied that any part listed is the product of these manufacturers.

O-RING

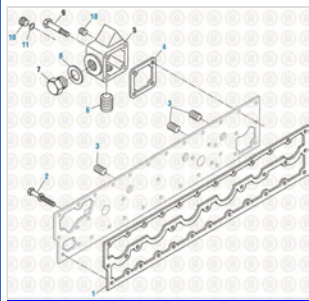
121227



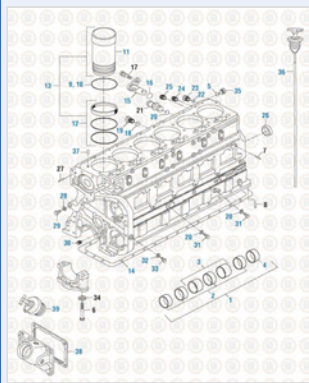
Cummins Engine 2017
Internal Dampening - L10 / M11 / ISM Series



Cummins Engine 2017
M11 Series - L10 / M11 / ISM Series



Cummins Engine 2017
Oil Cooler Cooling Components - L10 / M11 / ISM Series



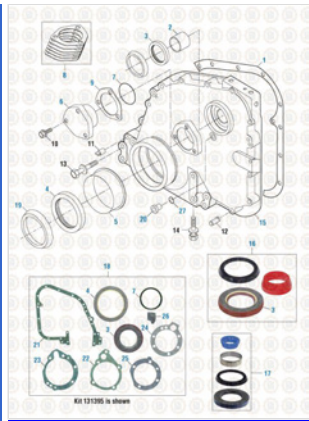
Cummins Engine 2017
Cylinder Block Components - N14 Series

Copyright © 2020 PAI Industries, Inc.
All rights reserved. All content is property of PAI Industries, Inc. and may not be reproduced or redistributed in any form.

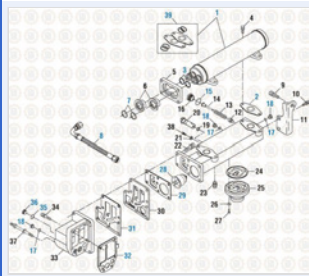
Any reference to OEM names or OEM product identification numbers/descriptions/model numbers is for identification only and does not indicate that it is an OEM part. PAI is not affiliated with Mack Truck, Inc.®, Volvo®, Fuller®, Cummins®, Eaton®, Rockwell®, Caterpillar®, Freightliner®, Hendrickson®, Kenworth®, Detroit Diesel®, International®, Peterbilt®, or Dana®. All Manufacturer's names, numbers, symbols and descriptions are used for reference only. It is not implied that any part listed is the product of these manufacturers.

O-RING

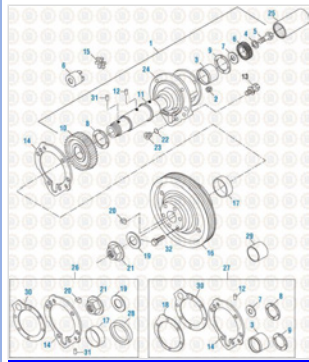
121227



Cummins Engine 2017
Front Covers Components - N14 Series

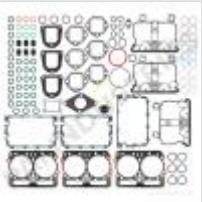


Cummins Engine 2017
Oil Cooler - N14 Series



Cummins Engine 2017
Accessory Drives - Cast Iron Housing - N14 Series

Component Of:




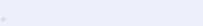
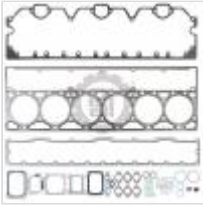
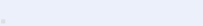

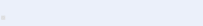
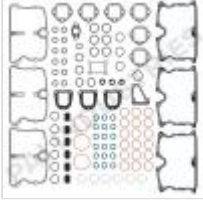
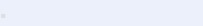

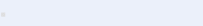

SKU	Image	Description
331125-157		GASKET KIT
121438		FUEL PUMP SERVICE KIT
131264-155		TURBOCHARGER INSTALLATION KIT
131271		UPPER GASKET KIT

Copyright © 2020 PAI Industries, Inc.
All rights reserved. All content is property of PAI Industries, Inc. and may not be reproduced or redistributed in any form.

Any reference to OEM names or OEM product identification numbers/descriptions/model numbers is for identification only and does not indicate that it is an OEM part. PAI is not affiliated with Mack Truck, Inc.®, Volvo®, Fuller®, Cummins®, Eaton®, Rockwell®, Caterpillar®, Freightliner®, Hendrickson®, Kenworth®, Detroit Diesel®, International®, Peterbilt®, or Dana®. All Manufacturer's names, numbers, symbols and descriptions are used for reference only. It is not implied that any part listed is the product of these manufacturers.

O-RING

121227







131272-200		O-RING SUB KIT
131328-200		O-RING KIT
131329-152		TURBOCHARGER GASKET SET
131380		UPPER GASKET KIT
131482-100		UPPER GASKET KIT
131482-152		TURBOCHARGER GASKET KIT
131539		LOWER GASKET KIT
131561		UPPER GASKET KIT
131679		UPPER GASKET KIT
131685		LOWER GASKET KIT
131744		UPPER GASKET KIT
131815		UPPER GASKET KIT
131816		UPPER GASKET KIT

Copyright © 2020 PAI Industries, Inc.
 All rights reserved. All content is property of PAI Industries, Inc. and may not be reproduced or redistributed in any form.

Any reference to OEM names or OEM product identification numbers/descriptions/model numbers is for identification only and does not indicate that it is an OEM part. PAI is not affiliated with Mack Truck, Inc.®, Volvo®, Fuller®, Cummins®, Eaton®, Rockwell®, Caterpillar®, Freightliner®, Hendrickson®, Kenworth®, Detroit Diesel®, International®, Peterbilt®, or Dana®. All Manufacturer's names, numbers, symbols and descriptions are used for reference only. It is not implied that any part listed is the product of these manufacturers.

O-RING

121227

131829		UPPER GASKET KIT
131875		LOWER GASKET KIT
131888		UPPER GASKET KIT
132039		FUEL PUMP GASKET KIT
181200E		TURBOCHARGER
181859		WATER PUMP REPAIR KIT
181859A		WATER PUMP REPAIR KIT
EKT-2651		INSTALLATION KIT

Copyright © 2020 PAI Industries, Inc.

All rights reserved. All content is property of PAI Industries, Inc. and may not be reproduced or redistributed in any form.

Any reference to OEM names or OEM product identification numbers/descriptions/model numbers is for identification only and does not indicate that it is an OEM part. PAI is not affiliated with Mack Truck, Inc.®, Volvo®, Fuller®, Cummins®, Eaton®, Rockwell®, Caterpillar®, Freightliner®, Hendrickson®, Kenworth®, Detroit Diesel®, International®, Peterbilt®, or Dana®. All Manufacturer's names, numbers, symbols and descriptions are used for reference only. It is not implied that any part listed is the product of these manufacturers.

O-RING

121227

[EKT-2668](#)



TURBOCHARGER KIT

[EKT-9260](#)

TURBOCHARGER REPAIR KIT

Cross Reference:

Manufacturer	OEM Number
CATERPILLAR	9X7745
CUMMINS	118350
CUMMINS	3037537
CUMMINS	3947269
CATERPILLAR	3J1907

Copyright © 2020 PAI Industries, Inc.
 All rights reserved. All content is property of PAI Industries, Inc, and may not be reproduced or redistributed in any form.

Any reference to OEM names or OEM product identification numbers/descriptions/model numbers is for identification only and does not indicate that it is an OEM part. PAI is not affiliated with Mack Truck, Inc.®, Volvo®, Fuller®, Cummins®, Eaton®, Rockwell®, Caterpillar®, Freightliner®, Hendrickson®, Kenworth®, Detroit Diesel®, International®, Peterbilt®, or Dana®. All Manufacturer's names, numbers, symbols and descriptions are used for reference only. It is not implied that any part listed is the product of these manufacturers.