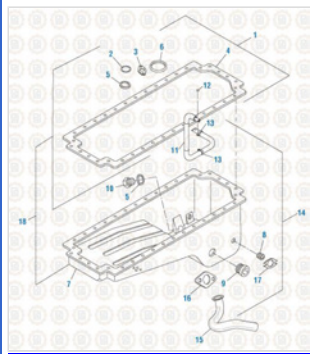




# O-RING

121224



**Cummins Engine 2017**  
Oil Pan and Components - N14 Series

Component Of:		
SKU	Image	Description
<a href="#">131273</a>		LOWER GASKET SET
<a href="#">131332</a>		LOWER GASKET KIT
<a href="#">131333</a>		LOWER GASKET KIT
<a href="#">131338</a>		LOWER GASKET KIT
<a href="#">131394</a>		OIL PAN GASKET INSTALLATION KIT

Copyright © 2020 PAI Industries, Inc.  
All rights reserved. All content is property of PAI Industries, Inc. and may not be reproduced or redistributed in any form.

Any reference to OEM names or OEM product identification numbers/descriptions/model numbers is for identification only and does not indicate that it is an OEM part. PAI is not affiliated with Mack Truck, Inc.®, Volvo®, Fuller®, Cummins®, Eaton®, Rockwell®, Caterpillar®, Freightliner®, Hendrickson®, Kenworth®, Detroit Diesel®, International®, Peterbilt®, or Dana®. All Manufacturer's names, numbers, symbols and descriptions are used for reference only. It is not implied that any part listed is the product of these manufacturers.

# O-RING

# 121224

[131539](#)

LOWER GASKET KIT

**Cross Reference:**

Manufacturer	OEM Number
CUMMINS	3029847
CUMMINS	3680413
CATERPILLAR	2K8199

Copyright © 2020 PAI Industries, Inc.

All rights reserved. All content is property of PAI Industries, Inc, and may not be reproduced or redistributed in any form.

Any reference to OEM names or OEM product identification numbers/descriptions/model numbers is for identification only and does not indicate that it is an OEM part. PAI is not affiliated with Mack Truck, Inc.®, Volvo®, Fuller®, Cummins®, Eaton®, Rockwell®, Caterpillar®, Freightliner®, Hendrickson®, Kenworth®, Detroit Diesel®, International®, Peterbilt®, or Dana®. All Manufacturer's names, numbers, symbols and descriptions are used for reference only. It is not implied that any part listed is the product of these manufacturers.