

O-RING

121211



Description: O-RING
SKU: 121211
OEM: 109080
Product Group: ENGINE PARTS
Product Class: OIL COOLERS & RELATED
UPC Code: 193807088958
Sell Pack: 10 EA
 (Available to buy in increments of 10)
Weight: 0.03 LBS
Warranty: 2 Years



Details:

O-Ring
 0.139 in C/S x 0.984 in ID
 3.53 mm C/S x 24.99 mm ID
 EPDM 75, Peroxide Cured Series # -214

E-Catalog Pages:

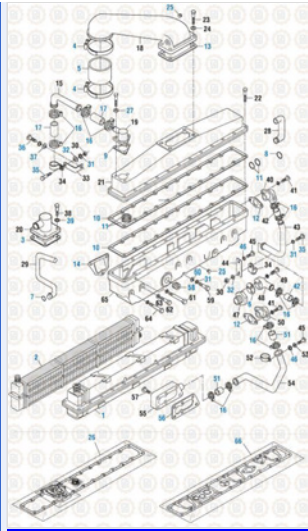
Catalog Page	Description
	O-Rings AS568A

Copyright © 2020 PAI Industries, Inc.
 All rights reserved. All content is property of PAI Industries, Inc, and may not be reproduced or redistributed in any form.

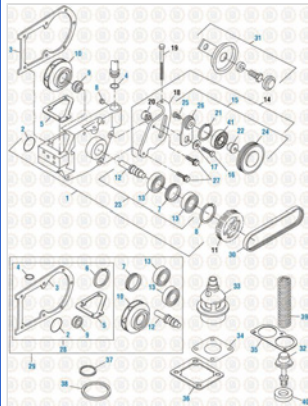
Any reference to OEM names or OEM product identification numbers/descriptions/model numbers is for identification only and does not indicate that it is an OEM part. PAI is not affiliated with Mack Truck, Inc.®, Volvo®, Fuller®, Cummins®, Eaton®, Rockwell®, Caterpillar®, Freightliner®, Hendrickson®, Kenworth®, Detroit Diesel®, International®, Peterbilt®, or Dana®. All Manufacturer's names, numbers, symbols and descriptions are used for reference only. It is not implied that any part listed is the product of these manufacturers.

O-RING

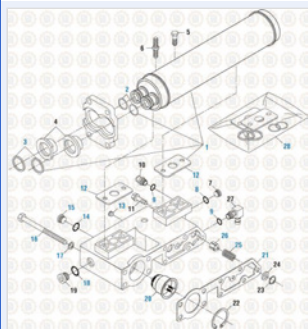
121211

**Cummins Engine 2017**

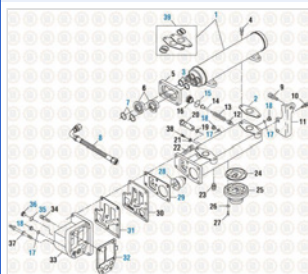
Aftercoolers, Intake Manifold and Components - Small Cam - FFC and Big Cam I, II, III - FFC - 855 Series

**Cummins Engine 2017**

With Idler - 88NT - 855 Series

**Cummins Engine 2017**

M11 Series - L10 / M11 / ISM Series

**Cummins Engine 2017**

Oil Cooler - N14 Series

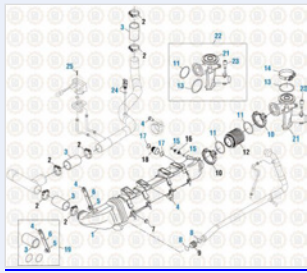
Copyright © 2020 PAI Industries, Inc.

All rights reserved. All content is property of PAI Industries, Inc. and may not be reproduced or redistributed in any form.

Any reference to OEM names or OEM product identification numbers/descriptions/model numbers is for identification only and does not indicate that it is an OEM part. PAI is not affiliated with Mack Truck, Inc.®, Volvo®, Fuller®, Cummins®, Eaton®, Rockwell®, Caterpillar®, Freightliner®, Hendrickson®, Kenworth®, Detroit Diesel®, International®, Peterbilt®, or Dana®. All Manufacturer's names, numbers, symbols and descriptions are used for reference only. It is not implied that any part listed is the product of these manufacturers.

O-RING

121211



Cummins Engine 2017
EGR Cooler - ISX Series

Component Of:




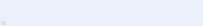


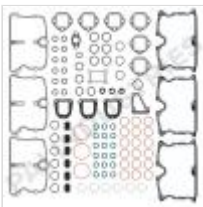
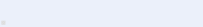

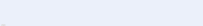

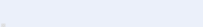
SKU	Image	Description
131315-153		COOLANT SYSTEM GASKET KIT
131317-153		COOLING SYSTEM GASKET KIT
131328-201		O-RING KIT
131329-153		COOLANT SYSTEM GASKET KIT
131333		LOWER GASKET KIT
131338		LOWER GASKET KIT

Copyright © 2020 PAI Industries, Inc.
All rights reserved. All content is property of PAI Industries, Inc. and may not be reproduced or redistributed in any form.

Any reference to OEM names or OEM product identification numbers/descriptions/model numbers is for identification only and does not indicate that it is an OEM part. PAI is not affiliated with Mack Truck, Inc.®, Volvo®, Fuller®, Cummins®, Eaton®, Rockwell®, Caterpillar®, Freightliner®, Hendrickson®, Kenworth®, Detroit Diesel®, International®, Peterbilt®, or Dana®. All Manufacturer's names, numbers, symbols and descriptions are used for reference only. It is not implied that any part listed is the product of these manufacturers.

O-RING

121211

131412		AFTERCOOLER KIT
131413		AFTERCOOLER KIT
131594		OIL COOLER MOUNTING KIT
131631		UPPER GASKET KIT
131634		UPPER GASKET KIT
131640		LOWER GASKET KIT
131679		UPPER GASKET KIT
131744		UPPER GASKET KIT
131745		UPPER GASKET KIT
131800		OVERHAUL GASKET KIT
131851		LOWER GASKET KIT
132025		UPPER GASKET SET

Copyright © 2020 PAI Industries, Inc.
 All rights reserved. All content is property of PAI Industries, Inc, and may not be reproduced or redistributed in any form.

Any reference to OEM names or OEM product identification numbers/descriptions/model numbers is for identification only and does not indicate that it is an OEM part. PAI is not affiliated with Mack Truck, Inc.®, Volvo®, Fuller®, Cummins®, Eaton®, Rockwell®, Caterpillar®, Freightliner®, Hendrickson®, Kenworth®, Detroit Diesel®, International®, Peterbilt®, or Dana®. All Manufacturer's names, numbers, symbols and descriptions are used for reference only. It is not implied that any part listed is the product of these manufacturers.

O-RING

121211

141414		OIL COOLER
141426-101		O-RING/GASKET KIT
141449		MAJOR INSTALLATION KIT
181808		WATER PUMP
181848		WATER PUMP REPAIR KIT

Cross Reference:

Manufacturer	OEM Number
CUMMINS	109080
CUMMINS	3682360
CATERPILLAR	5F1678

Copyright © 2020 PAI Industries, Inc.
All rights reserved. All content is property of PAI Industries, Inc. and may not be reproduced or redistributed in any form.

Any reference to OEM names or OEM product identification numbers/descriptions/model numbers is for identification only and does not indicate that it is an OEM part. PAI is not affiliated with Mack Truck, Inc.®, Volvo®, Fuller®, Cummins®, Eaton®, Rockwell®, Caterpillar®, Freightliner®, Hendrickson®, Kenworth®, Detroit Diesel®, International®, Peterbilt®, or Dana®. All Manufacturer's names, numbers, symbols and descriptions are used for reference only. It is not implied that any part listed is the product of these manufacturers.