



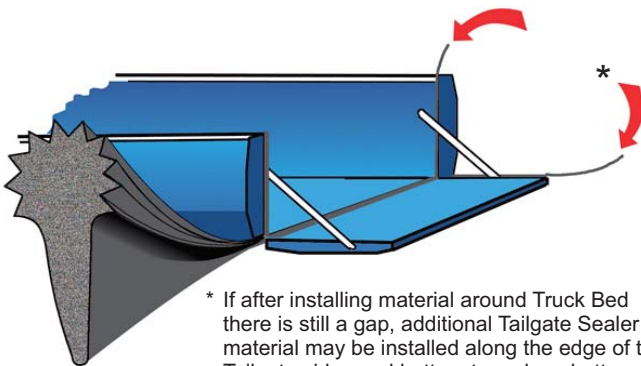
TAILGATE SEALER INSTALLATION INSTRUCTIONS

Please Read Completely Before Starting

Mounting Instructions for Truck Beds or Tailgates

1. Surface Preparation Prior to Installation: The mounting surface must be absolutely clean and free of wax, dirt, oil, etc. to ensure a lasting installation. Areas not clean or dry prevent adhesive from fully bonding to surface even though it may appear so during installation. (Note: Freshly painted surfaces should be fully cured before installation.)
2. Temperatures should be between 60°F and 90°F during installation.
3. Mounting – Before removing protective backing, measure and cut tailgate seal to desired length of Truck Bed at 45 degree angles at each end. It is advisable to have more than one person perform the installation for ease of correct placement.
4. Peel off paper backing and install.
5. Apply pressure to ensure good bonding.
6. Repeat process for sides, cutting at 45 degree angles where seal intersects seal running length of Truck Bed. Cut 90 degree angles at ends of side of Truck Bed.
7. CAUTION: Do not subject Tailgate Sealer to extreme temperatures water or wind abuse for 24 hours after installation to ensure maximum bonding strength.

Helpful Hint: Install star point of seal to fill air pocket between gate and bed.



* If after installing material around Truck Bed there is still a gap, additional Tailgate Sealer material may be installed along the edge of the Tailgate sides and bottom to make a better seal.

