

Installation Manual

PACPRO



HP10292 KIT

*2005-2010 Ford F250/F350/F450/F550
Super Duty 4WD*

2.5" Leveling Kit

KIT CONTENT



KIT CONTENTS

- | | | |
|----------|-----------------------------|-----|
| A | Coil Spring Spacer | (2) |
| B | Shock Extension | (2) |
| C | M14 x 2 x 80 Hex Head Screw | (2) |
| D | M14 Flat Washer | (4) |
| E | M14 x 2 Nylon Lock Nut | (2) |

Make sure all the items shown in the photo are provided in your kit before starting the installation.

Thank you and congratulations on the purchase of a Pacbrake leveling kit. Please read the entire manual prior to starting the installation to ensure you can complete it once started.

SAFETY WARNING

Altering the suspension system of your vehicle may cause it to handle differently than it did from the factory. Larger wheel and tire combinations may increase the leverage on the suspension, and steering components. This changes the way your vehicle handles and responds to abrupt maneuvers. Operate your vehicle at reduced speeds in all conditions to prevent loss of control. Failure to do so may result in serious injury. Pacbrake does not recommend the combined use of suspension lifts, body lifts, or other lifting methods.

INSTALLATION WARNING

Use caution when disassembling, and reassembling the vehicle. The proceeding instructions are guidelines only, the installer is responsible for ensuring that the vehicle is safe for use after performing the installation. Pacbrake recommends the use of an OE service manual for the model/year of the vehicle when disassembling and assembling factory related components.

Suspension components that use rubber or urethane bushings should be tightened with the vehicle at normal ride height. This will prevent premature wear or failure of the bushing. Prevent the suspension components from overextension by supporting them with a jack.

Due to the suspension geometry and vehicle tolerances, the amount of lift is a base figure. **Spacer thickness does not equate to the amount of lift due to the suspension geometry.** For example, a 1" thick spacer may provide a 2" lift. Always measure the vehicle ride height at all 4 corners before and after installation to ensure the results are as expected.

WHEEL ALIGNMENT AND HEADLIGHT ADJUSTMENT

It is necessary to have a proper and professional wheel alignment performed by a certified alignment technician to align the vehicle to factory specifications. After the installation is complete, check to ensure that the vehicles head lamps are aimed properly. If not, a head light alignment is required.

1 MEASURE THE STOCK RIDE HEIGHT

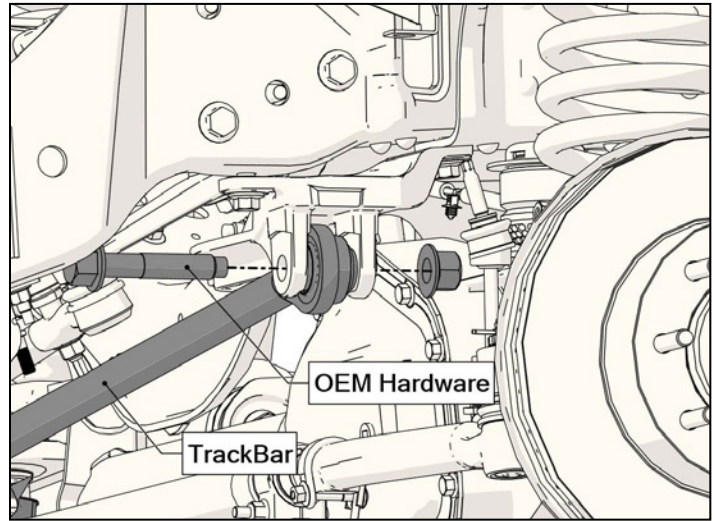
- Park the vehicle on a level surface.
- Using a measuring tape, measure between the center of the wheel hub and the bottom of the fender well.
- Note the ride height for all four corners.

2 RAISE THE FRONT AXLE

- Place wheel chocks in front and behind both rear wheels.
- Raise the front of the truck high enough to remove both wheels and attain a comfortable working height.
- Place two jack stands under the vehicles frame.
- Lower the floor jack until the vehicle frame is supported by the jack stands.
- Use a floor jack to support underneath the front axle at a suitable lifting point such as the front differential.
- Remove the front wheels.

3 DISCONNECT THE TRACK BAR

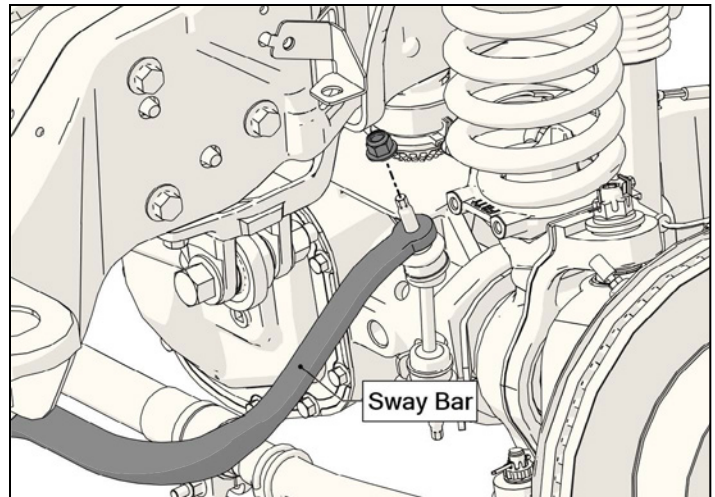
- Disconnect the track bar from the track bar mount that is connected to the frame.



3

4 DISCONNECT THE SWAY BAR END LINKS

- Disconnect both the driver and passenger side sway bar end links.

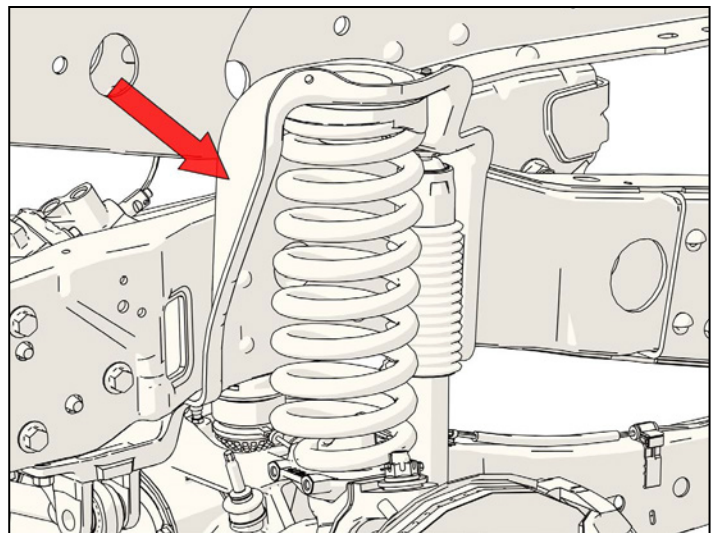


4

5 INSTALL THE BRAKE LINE BRACKET - (05-07) MODELS ONLY

NOTE: The following step requires drilling. Before drilling, check to ensure that the opposite side does not have any brake lines, wiring, or components in the way.

- Remove the brake line bracket that is located in the position shown in figure 5.
- Drill a new hole approximately 1.5" below where the brake line bracket was originally mounted.
- Reinstall the brake line bracket into the new hole using OE hardware.
- Complete this for both the driver and passenger side.

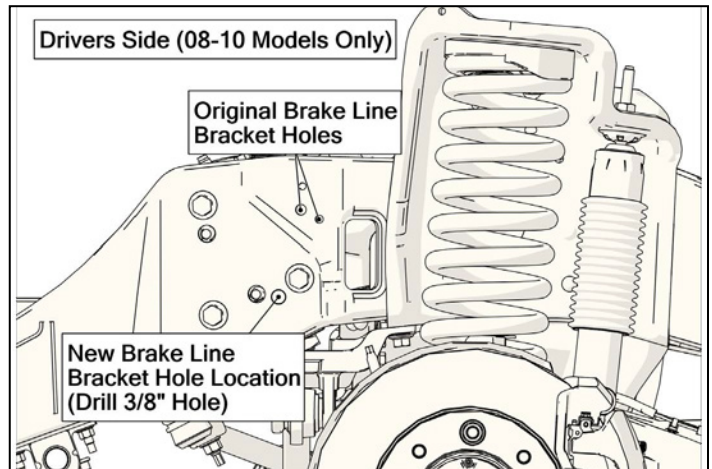


5

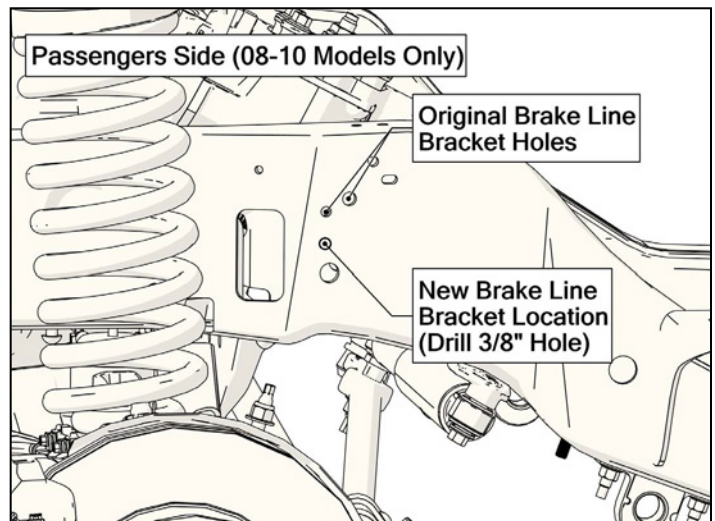
6 INSTALL THE BRAKE LINE BRACKET (08-10) MODELS ONLY

NOTE: The following step requires drilling. Before drilling, check to ensure that the opposite side does not have any brake lines, wiring, or components in the way.

- Remove the brake line bracket that is located in the position shown in figure 6A or 6B.
- Passengers Side: Drill a 3/8" hole approximately 1.25" below the factory hole as shown in figure 6B.
- Drivers Side: Drill a 3/8" in approximately the same location as shown in figure 6A.
- Flatten the orientation tab on the brake line support bracket.
- Use the factory OE self-tapping screw to reattach the brake line support bracket to the frame.
- Complete this step for both the driver and passenger side.



6A

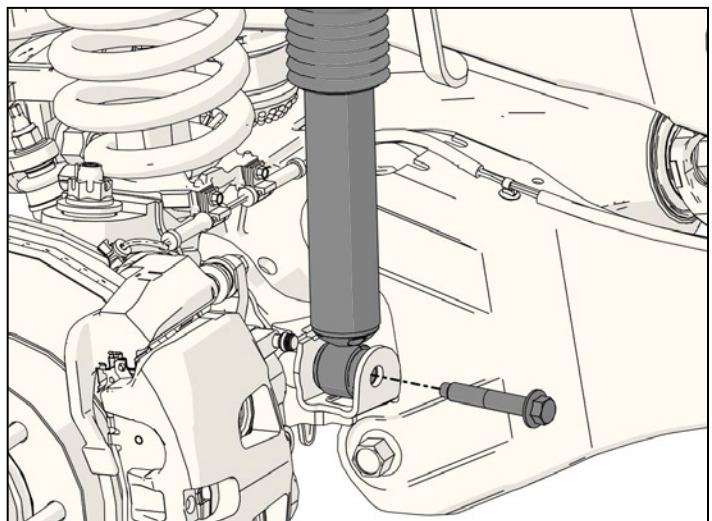


6B

7 DISCONNECT THE FRONT LOWER SHOCK BOLTS

- Disconnect the lower shock bolts on the driver and passenger side. Refer to figure 7.

NOTE: It may be necessary to raise or lower the floor jack under the axle slightly (this relieves the pressure being applied by the shock on the bolt) making the removal of the lower shock bolts easier.



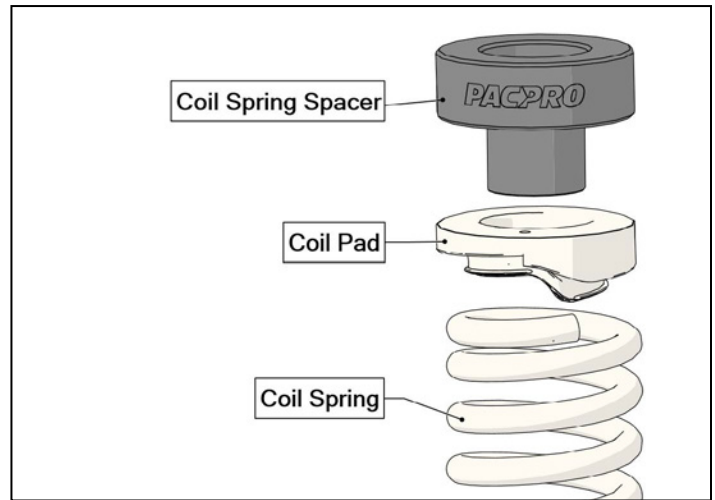
7

8 REMOVE THE COIL SPRING

- Lower the front axle until there is enough clearance to safely remove the coil spring, and coil pad from the vehicle.
- Repeat this step for both the driver and passenger side

9 INSTALL THE COIL SPRING SPACER

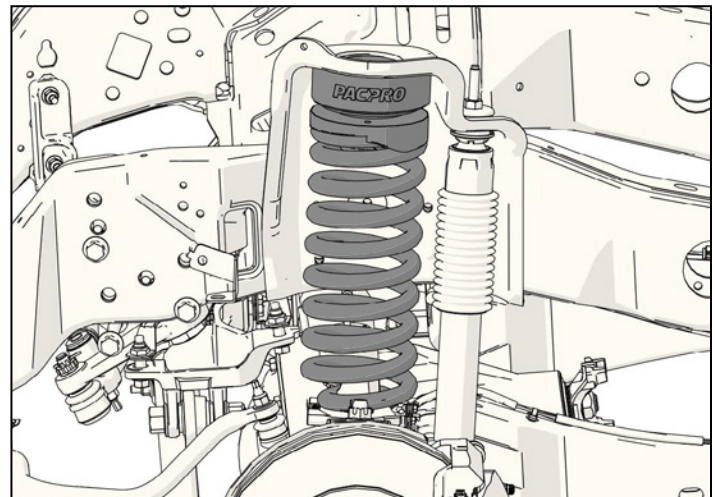
- Install the Pacbrake coil spring spacer, coil pad, and the coil spring back into the truck.
- Slowly raise the axle until the bottom of the spring and the spring seat on the axle are nearly contacting each other.
- Rotate the spring in order to clock the spring into the proper position.



8

10 REINSTALL THE LOWER SHOCK MOUNT BOLTS

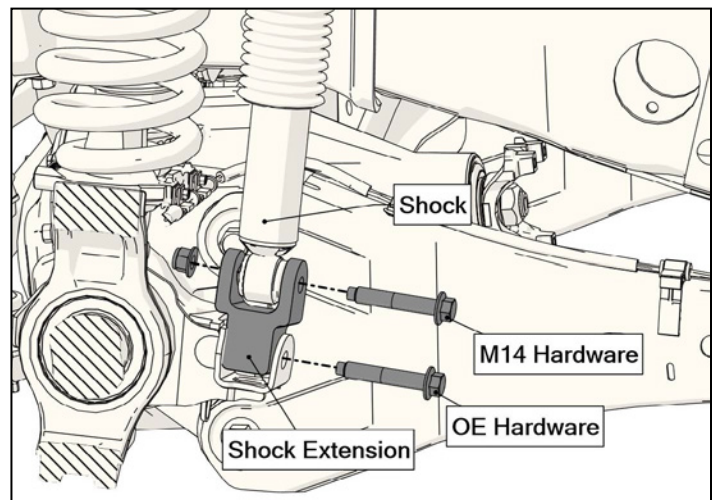
- Install the provided shock extension bracket onto the factory OE mounting bracket and use the factory OE fasteners to attach the new bracket. Refer to figure 10. Torque the fasteners to the manufacturer's specification.
- Raise the axle such that the hole in the shock extension lines up with the hole located at the bottom of the shock absorber.
- Install the provided M14 hardware and torque to the manufacturer's specifications.



9

11 REINSTALL THE TRACK BAR

- Reconnect the track bar to the frame track mount using the OE hardware as shown in figure 3.
- Torque the hardware to the manufacturer's specifications.



10

12 REINSTALL THE SWAY BAR

- Use the OE hardware to reconnect the sway bar end links on both the driver and passenger side. Do not torque the end links to specification.

NOTE: Suspension components that use rubber or urethane bushings should be tightened with the vehicle at normal ride height. This will prevent premature wear or failure of the bushing.

13 REINSTALL THE WHEELS

- Install the wheels and torque them to factory specification.
- Raise the vehicle in order to remove the jack stands from under the frame and then carefully lower the vehicle back to the ground.
- Torque the sway bar end links according to the manufacturer's specifications.
- Using a measuring tape, measure the distance between the center of the wheel hub and the bottom of the fender well for all four corners. This is your new ride height. Ensure the results are as expected.

POST INSTALLATION WARNING

Once the installation is complete and the vehicle is lowered to the ground, check all parts which have rubber or urethane components to ensure proper torque. Move the vehicle backwards and forwards a short distance to allow suspension components to adjust. Turn the front wheels completely left then right and verify adequate tire, wheel, brake line, and ABS wire clearance. Test and inspect steering, brake and suspension components. Inspect brake/ABS lines for adequate slack at full extension. Failure to perform the post installation checks may result in vehicle damage.

VEHICLE HANDLING WARNING

Larger wheel and tire combinations may increase the leverage on the suspension, and steering components. Increasing the height of your vehicle increases the likelihood of rollover or loss of control during abrupt manoeuvres, especially at high speeds. Operate your vehicle at reduced speeds in all conditions to prevent loss of control. Failure to do so may result in serious injury.

WHEEL ALIGNMENT AND HEADLIGHT ADJUSTMENT

It is necessary to have a proper and professional wheel alignment performed by a certified alignment technician to align the vehicle to factory specifications. After the installation is complete, check to ensure that the vehicles head lamps are aimed properly. If not, a head light alignment is required as well.

VEHICLE RE-TORQUE AND SAFETY INSPECTION

Upon completion of all services and adjustments performed on your vehicle, and within 50 miles of driving, check to ensure all fasteners and hardware are properly torqued to specification as noted in the vehicles factory service manual.