



# LCCH11 / LCCH21

Radio Replacement Interface  
with Nav Outputs for  
Chrysler / Dodge / Jeep Vehicles  
With or Without Premium Audio Systems

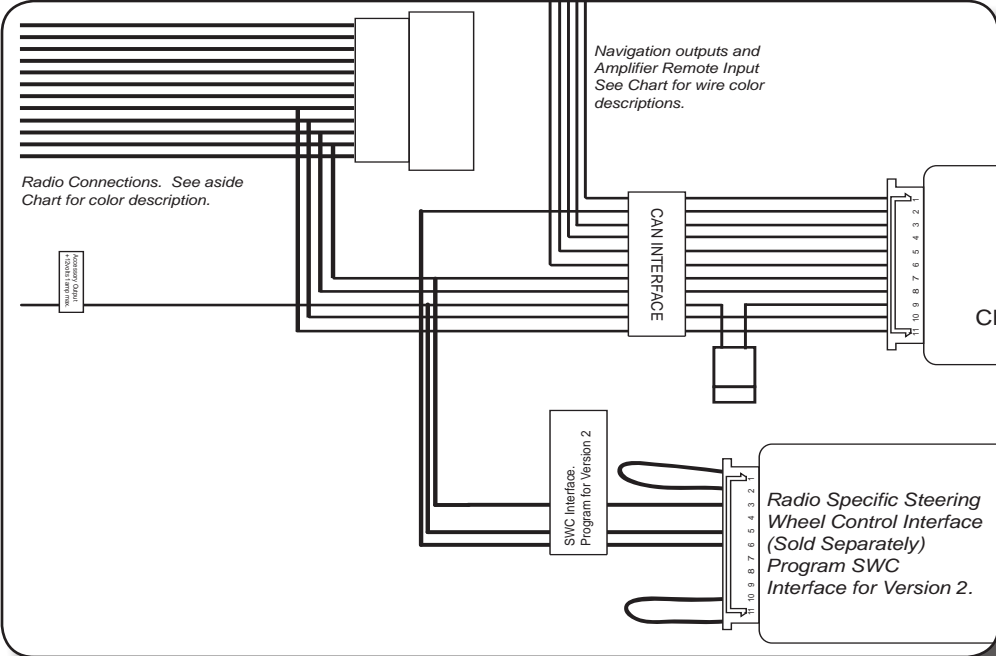
## Radio Connection Chart

(Read the Installation Notes before making connections to the provided radio harness)

Yellow	Battery +12v
Black	Ground
Blue	Antenna On Input
White	Front L + input
White / Black	Front L - input
Grey	Front R + input
Grey / Black	Front R - input
Green	Rear L + input
Green / Black	Rear L - input
Purple	Rear R + input
Purple / Black	Rear R - input

## CAN Interface Connection Chart:

Red	Acc. Output (1 amp)
Red / White	P.B. Output (-)
Purple / White	VSS Output (Pulse)
Orange / White	Illum. Output (+)
Green	Reverse Output (+)
White / Green	SWC Output
Blue / White	Amp Turn On Input



## Installation Notes

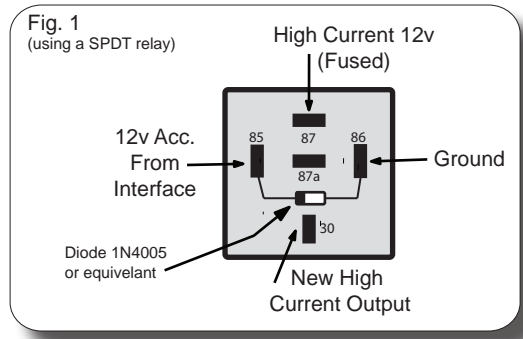
- Vehicles without a factory amplifier:** Connect the aftermarket radio's front and rear speaker wires to the 22 pin plug.
- Vehicles with a factory amplifier:** Connect the *front outputs of the aftermarket radio* to the *rear inputs of the 22 pin radio connector*. This will allow navigation voice prompts and Bluetooth calls to be heard. The rear speaker outputs of the aftermarket radio are not used. The factory amplifier only accepts two audio channels (left and right). The amplifier's fading is controlled by data communication

from the factory radio. The aftermarket radio does not have the ability to control the amplifier's fader.

- The accessory output wire is located on the 11 pin CAN INTERFACE harness - connect this wire to the radio's accessory wire. The accessory wire supplies +12v, 1 amp max when key is in the accessory or ignition position (fig. 1: If more current is needed).
- 11 pin plug (to CAN INTERFACE):**
  - **Blue/White - Connect this wire to the radio's amplifier remote output. Connect this wire with or without OEM amp present! This connection is VERY IMPORTANT! Some of the LCCH11/ LCCH21 features will not function if this wire is not connected!**
  - White/Green - SWC output.
  - Green - Connect this wire to the radio's reverse input wire only.
  - Orange/White - Connect this wire to the radio's Illumination input wire only.
  - Violet/White - Connect this wire to the radio's VSS input wire only.
  - Red/White - Connect this wire to the radio's parking brake input wire only.

**Note: Do not connect these wires to any circuit other than the radio's wire harness.**

- 11 pin plug (to SWC INTERFACE):** This is a quick connection to a radio specific SWC interface. No additional connections are necessary other than radio control connections. Plug the radiospecific SWC interface in to this connector and program the radio specific SWC interface for version 2. Do not cut the loops. Refer to the SWC interface instruction manual for the radio specific control function programming order.



**PLEASE NOTE: The CHYRVD cable is sold seperately**

**Vehicles equipped with a DVD player built into the rear screen assembly:**

The LCCH11/LCCH21 will allow the VES DVD player and rear screen to function as if the factory radio were present. A/V will be passed from the factory DVD player to the rear screen and audio can be heard through the headphones. A/V cannot be passed from the factory DVD player to the aftermarket head unit.

**Vehicles equipped with a stand alone VES DVD Player:**

The LCCH11/LCCH21 will allow the VES DVD player and rear screen(s) to function as if the factory radio were present. A/V will be passed from the factory DVD player to the rear screen(s) and audio can be heard through the headphones. A/V can also be fed from the VES DVD player into an aftermarket head unit (head unit must support A/V in) with the use of the CHYRVD. **It is VERY IMPORTANT that the LCCH11/LCCH21 Blue/White remote input wire be connected for this feature to function properly!**

**Vehicles not equipped with a VES DVD Player (rear screen(s) only):**

In this application the CHYRVD must be used in order to feed A/V into the factory screen(s) from an aftermarket head unit (head unit must support A/V out). With the CHYRVD, A/V will be passed from the aftermarket head unit to the rear screen(s) and audio can be heard through the headphones. If you wish to retain the Auxiliary inputs on the rear of the console you must disconnect the factory wires from the auxiliary input then connect and run your own RCAs into the aftermarket head unit.

**Vehicles equipped with a Reverse Camera:**

In order to retain the factory reverse camera the CHYRVD must be used to feed video into the aftermarket head unit (head unit must support reverse camera input).

