

Introduction and Features

The ANC-CH01 harness bypasses the Active Noise Cancellation (ANC) module in select Chrysler, Dodge, Jeep and RAM non-amplified audio systems while maintaining communication between the vehicle's CAN bus network and the module. Aftermarket amplifiers can easily be added with no need to cut or modify a vehicle's original wiring.

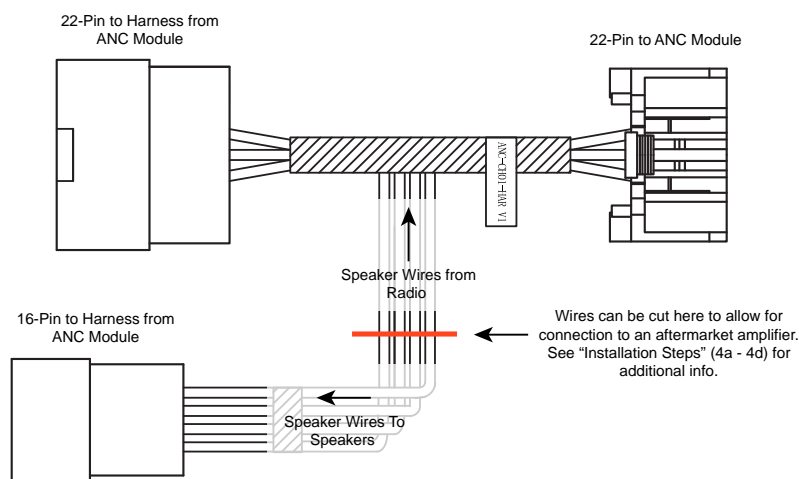
Installation Notes

- WARNING: Passing the speaker signal from aftermarket amplifier through the ANC module will cause DAMAGE!**
- The ANC-CH01 is only compatible with non-amplified vehicles that have the ANC system. To determine compatibility, some key factors to look for would be the inclusion of an active center channel and / or subwoofer. If the audio system includes either or both, the ANC-CH01 is not compatible because the system is factory amplified.
- The ANC-CH01 can be used to provide speaker wire connections for all 4 speakers, eliminating the need to cut into the factory harness (see "Installation Steps" for info.).
- When using the ANC-CH01 harness to connect speaker wire outputs from an aftermarket amplifier, it is always best to use a tone generator (PAC part number TL-PTG2) to verify that the tables in this manual match the wiring in your specific vehicle.

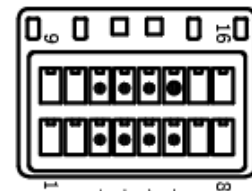
Installation Steps

- Locate the vehicle's ANC module and disconnect the 16-pin and 22-pin connectors.
 - RAM Truck:** The ANC module is under the driver's seat
 - Jeep Cherokee:** The ANC module is above the glove box
 - Chrysler Pacifica:** The ANC module is to the right of the glove box
- Connect the ANC-CH01 harness to the connectors that were disconnected in the previous step.
- Connect the male 22-pin connector from the ANC-CH01 to the ANC module.
- When connecting the ANC-CH01 to the outputs of an aftermarket amplifier, use the wiring information (provided in the chart below) to determine which will be used.
 - Cut the wires in the ANC-CH01 that will be used for connection to the aftermarket amplifier speaker outputs. The wiring overview (provided in the chart below) shows the approximate location of where the wires should be cut.
 - Leave any speaker wires that are going to be powered from the radio (rather than from an aftermarket amplifier), intact.
 - Connect the outputs of the aftermarket amplifier to the appropriate wires in the ANC-CH01 harness that go to 16-pin side of the cut harness.
 - Insulate the cut wires that lead to the 22-pin side of the harness as they will not be used.

Wiring Overview

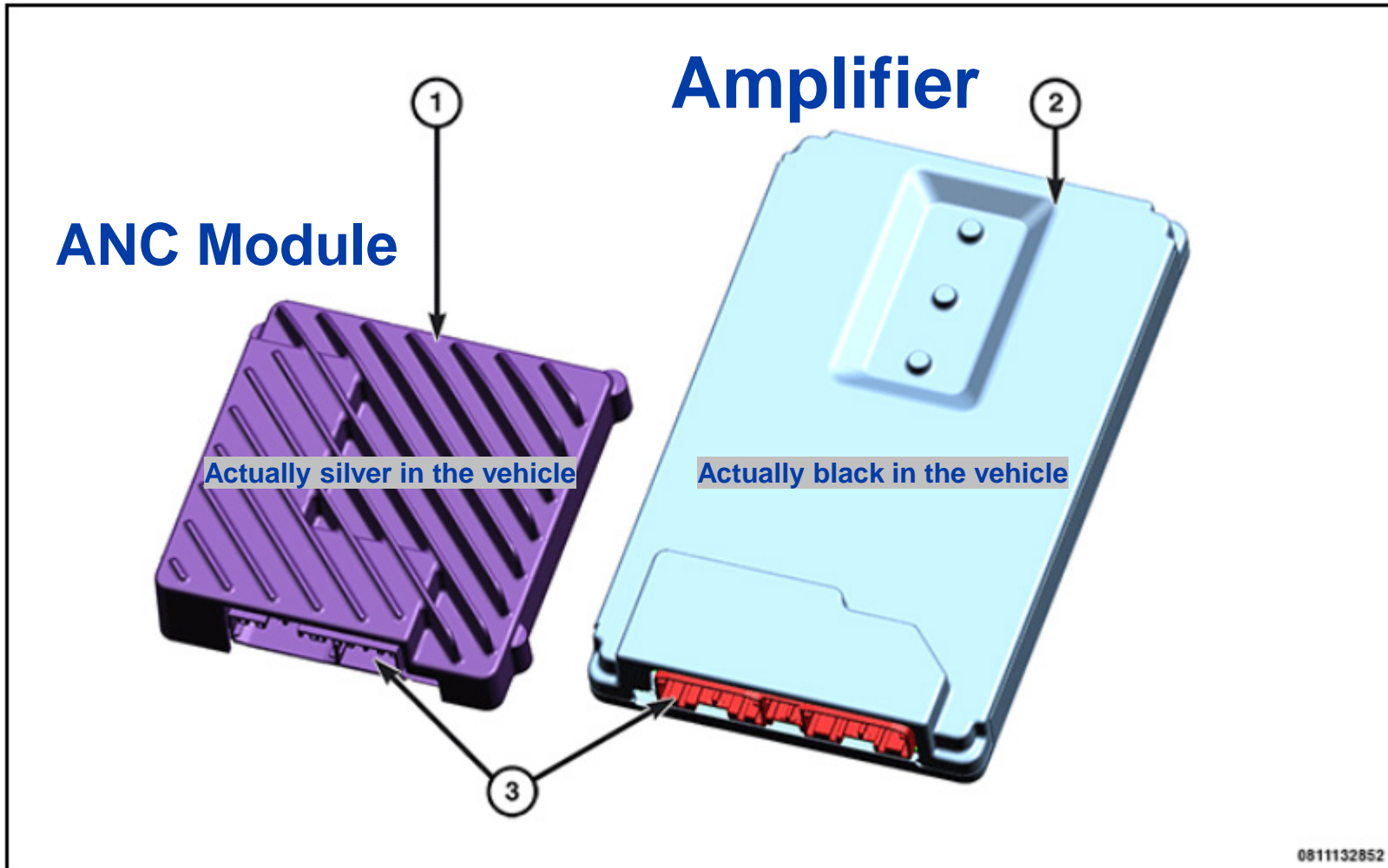


*Illustration is for reference only.
Your harness will have more wires*



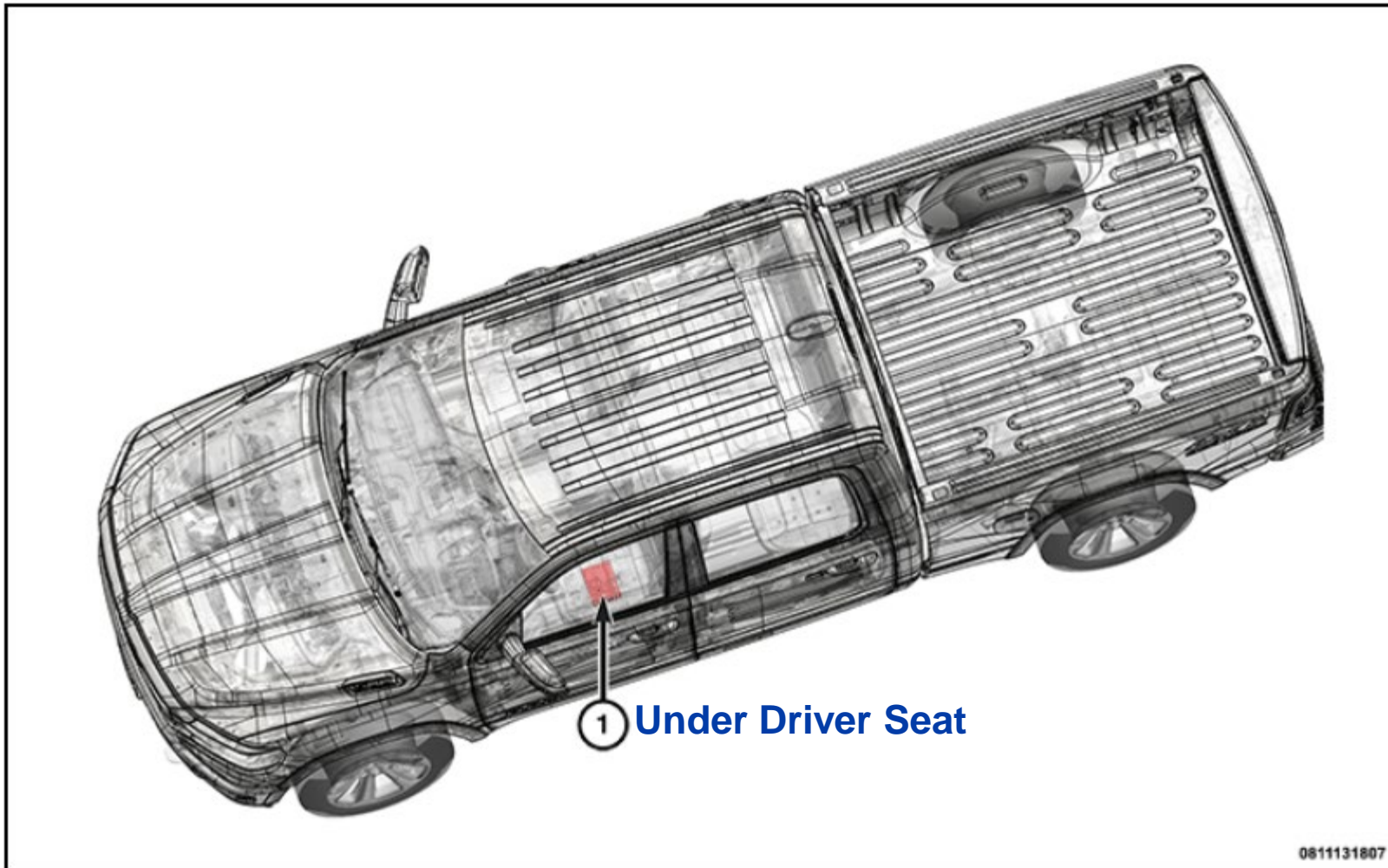
Pin Number	Wire Color	Description	Label
1			N/A
9			
2			
10			LF Speaker
3	White/Black	Left Front -	
11	White	Left Front +	RF Speaker
4	Gray/Black	Right Front -	
12	Gray	Right Front +	LR Speaker
5	Green/Black	Left Rear -	
13	Green	Left Rear +	RR Speaker
6	Purple/Black	Right Rear -	
14	Purple	Right Rear +	N/A
7			
15			
8			
16			

ANC vs Amplifier



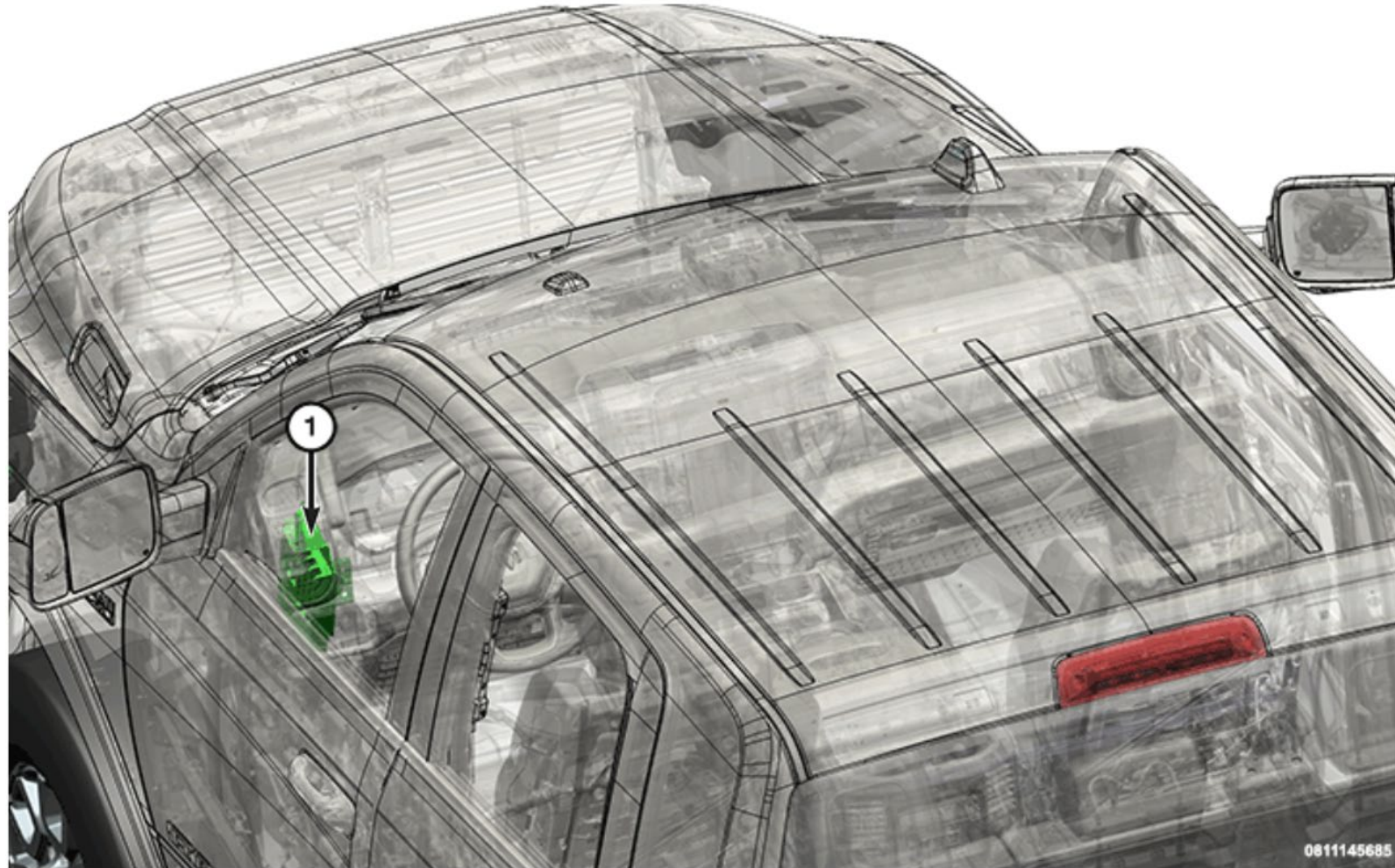
- Amp is larger/Black
- ANC is small/Silver
- Amp has 3 plugs
- ANC has 2 plugs

ANC / Amp Location 2019+ RAM 1500



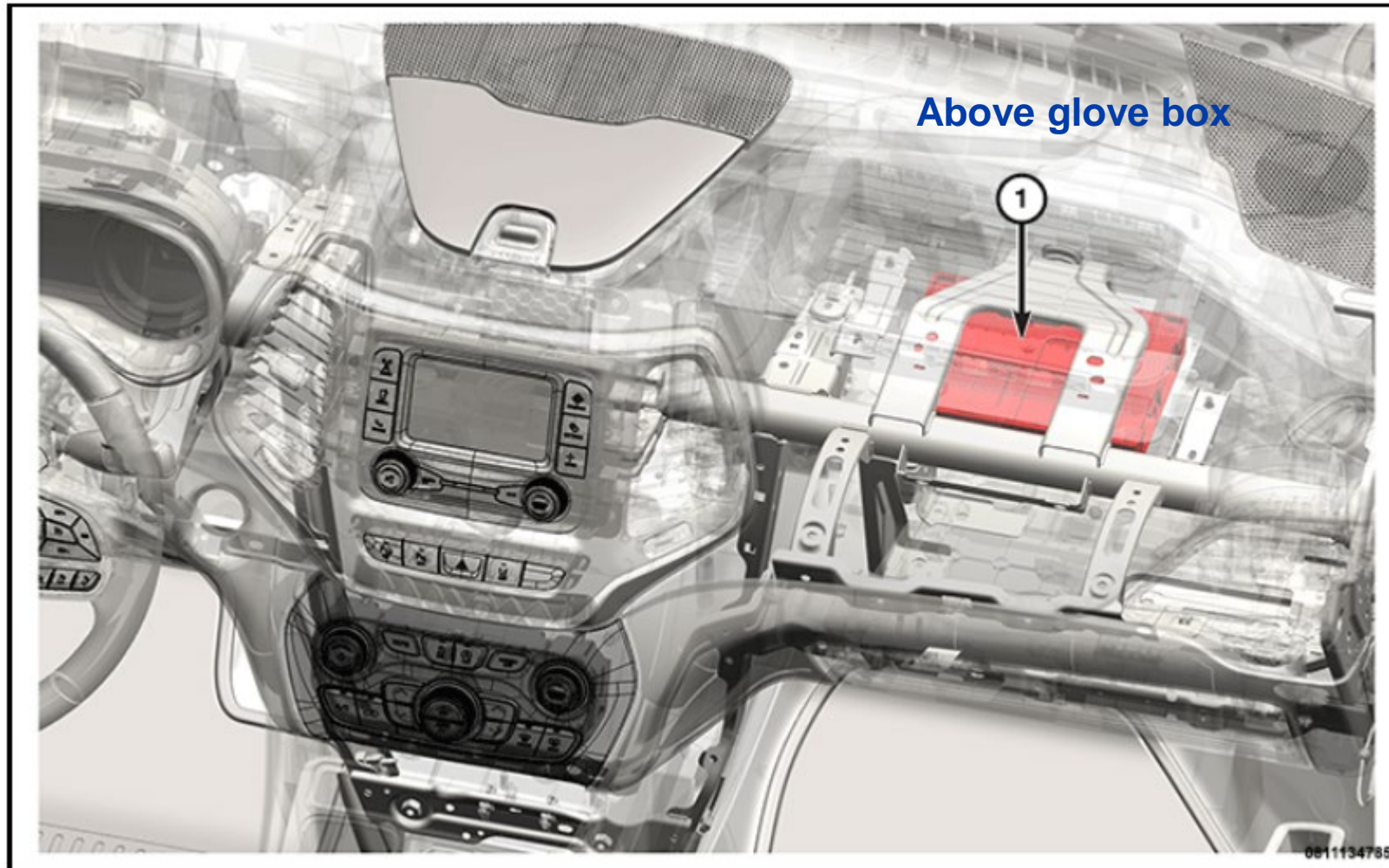
0811131807

ANC / Amp Location 2019+ RAM 2500/3500

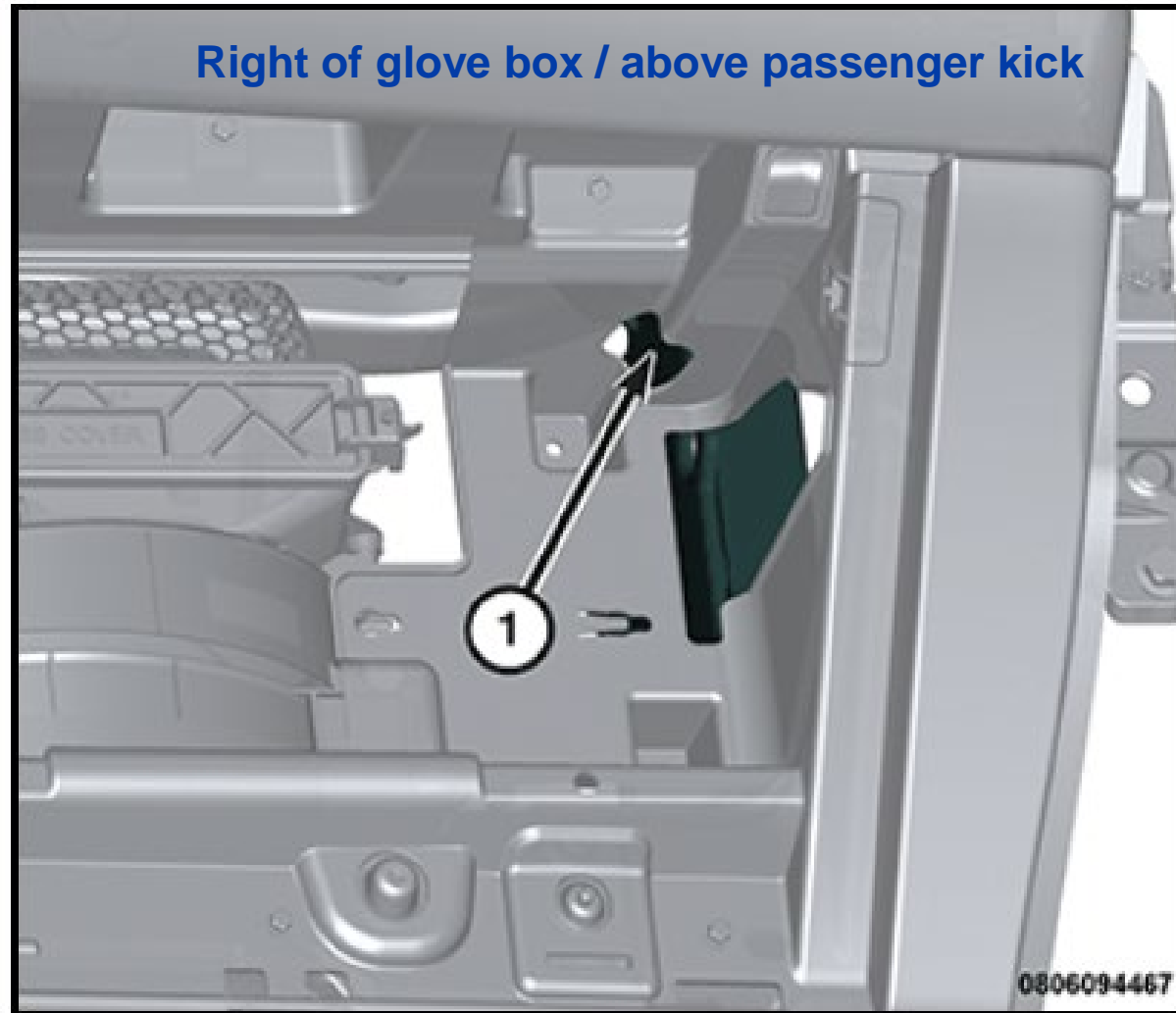


Under Driver Dash

ANC / Amp Location Jeep Cherokee



ANC / Amp Location Chrysler Pacifica



ANC Location 2015-2016 Grand Cherokee

Behind Right Quarter Trim Panel

