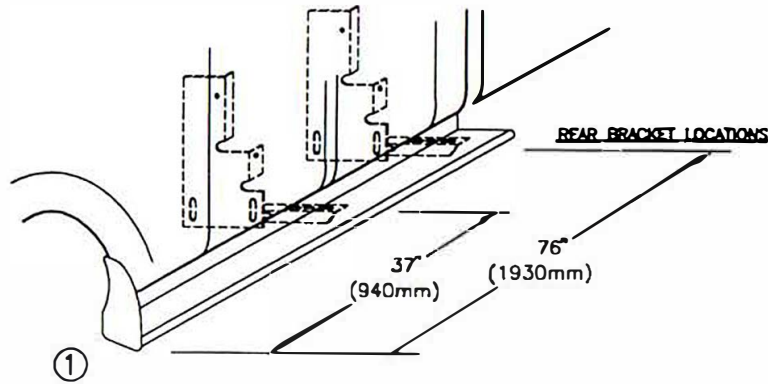


02-CURRENT DODGE QUAD CAB



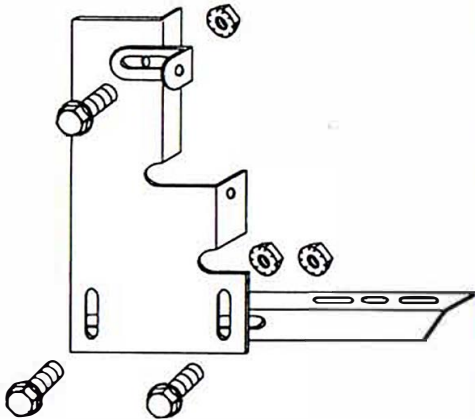
TOOLS REQUIRED: 5/16" DRILL • 1/2" HEX SOCKET • 1/2" WRENCH • 5/16" NUT DRIVER • 3/8" NUT DRIVER
YOUR BRACKET MOUNT HOLES WILL NEED TO BE DRILLED INTO THE BODY



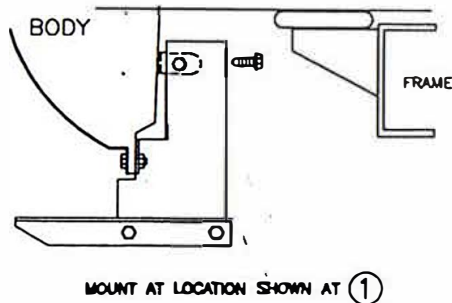
MEASURE FROM FRONT WHEEL WELL TO BRACKET LOCATIONS. MARK THIS DIMENSION ON THE PINCH WELD

(DRIVERS SIDE SHOWN)

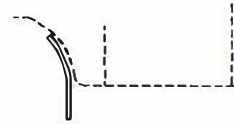
2
BRACKET ASSEMBLY
ASSEMBLE WITH 5/16" BOLTS



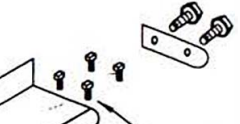
3
BRACKET ASSEMBLY MOUNT TO BODY
ASSEMBLY WITH 5/16" BOLTS AND
#14 SELF DRILLING TEX SCREW



4
BEND STONE GUARD BY HAND AND
KNEE TO FIT THE WHEEL WELL
BEFORE INSTALLING TO RUNNING BOARD

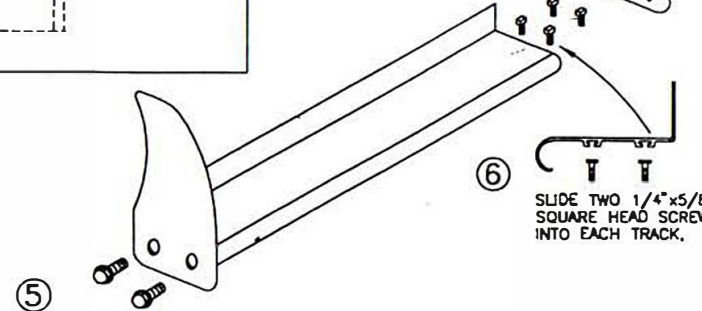


7
INSTALL END CAP TO BOARD
WITH 3/8" SELF TAPPING BOLT



6
SLIDE TWO 1/4"x5/8"
SQUARE HEAD SCREW
INTO EACH TRACK.

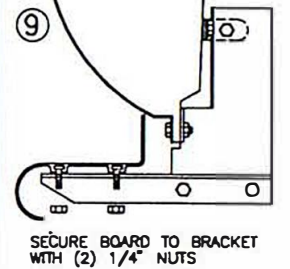
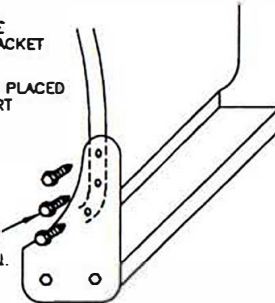
5
FASTEN FRONT STONE GUARD
TO BOARDS WITH 3/8" SELF
TAPPING BOLT. BEND STONE
GUARD BY HAND AND KNEE
TO FIT THE WHEEL WELL



7
HOLD BOARD IN PLACE, WITH THE
REAR RESTING ON THE BACK BRACKET
NOTE:
BE SURE THAT 1/4" BOLTS ARE PLACED
INTO THE BRACKET STEP SUPPORT

8
SCREW THROUGH STONE GUARD
INTO FENDERWELL. UP USING #14
BY 3/4" SELF DRILLING SCREWS.
MAKE SURE YOU DRILL INTO METAL.

3 PLACES AT EACH STONE GUARD



9
SECURE BOARD TO BRACKET
WITH (2) 1/4" NUTS

10
WITH BOARD LEVEL TIGHTEN
ALL LOOSE BOLTS

11
REPEAT FOR OTHER SIDE

**INSTALLATION
PARTS LIST:**

QTY.	DESCRIPTION
1	RUNNING BOARD 1 DRIVER & 1 PASSENGER
1	STONE GUARD 1 LEFT & 1 RIGHT
8	3/8"x1 SELF TAPPING SCREW
10	#14x3/4" TEX SCREW
8	1/4"x5/8" SQUARE HEAD SCREW
8	1/4"-20 HEX NUT
4	ANGLE STRAP, AS01

QTY.	DESCRIPTION
1	END CAP 1 LEFT & 1 RIGHT
16	5/16"x 3/4" WASHER HEAD BOLT
16	5/16-18 HEX WASHER HEAD NUT
4	HORIZONTAL BRACKET, SUPPORT, 3124F
4	FLAT BRACKET, FL48 2" RISER
	FLAT BRACKET, FL43 4" RISER