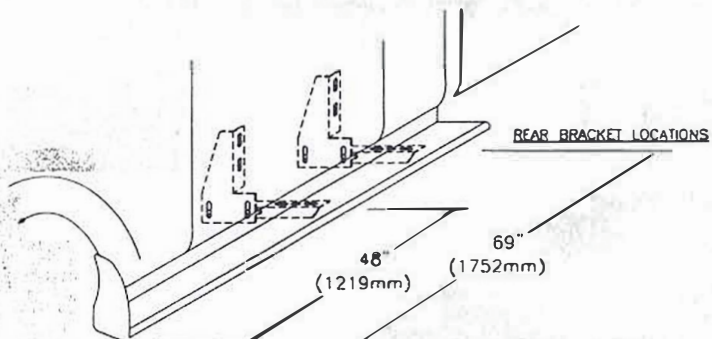


# OWENS 99-CURRENT FORD SUPER DUTY SUPER CAB

YOUR BRACKETS INSTALL IN FACTORY HOLES

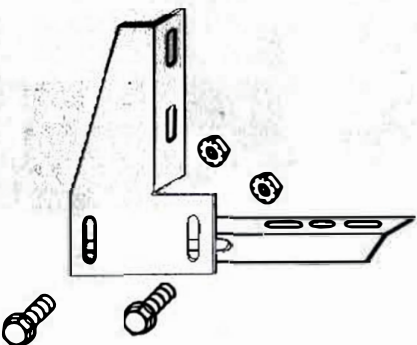
INSTALLATION PARTS LIST:		YOUR BRACKETS INSTALL IN FACTORY HOLES	
QTY.	DESCRIPTION	QTY.	DESCRIPTION
1	RUNNING BOARD 1 DRIVER & 1 PASSENGER	2	HORIZONTAL BRACKET, SUPPORT, 3124F
1	STONE GUARD 2 LEFT & 2 RIGHT	2	5/16" CLIP NUT
8	3/8"x1 SELF TAPPING SCREW	20	5/16"x 3/4" BOLT
8	#14x3/4" TEK SCREW	18	5/16-18 HEX NUT
8	1/4"x5/8" SQUARE HEAD SCREW	4	FLAT BRACKET, FL11
8	1/4-20 HEX NUT	1	END CAP 1 LEFT & 1 RIGHT

TOOLS REQUIRED: 5/16" DRILL • 1/2" HEX SOCKET • 1/2" WRENCH • 5/16" NUT DRIVER • 3/8" NUT DRIVER

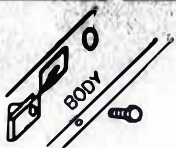


① (DRIVERS SIDE SHOWN)  
MEASURE FROM FRONT WHEEL WELL TO BRACKET LOCATION  
MARK THIS DIMENSION ON THE PINCH WELD

② BRACKET ASSEMBLY  
ASSEMBLE WITH 5/16" BOLTS

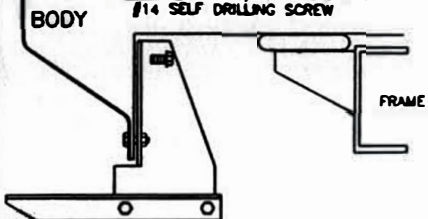


SLIDE NUT CUP INTO BODY HOLES AT BRACKET LOCATION AT 48"



③ BRACKET ASSEMBLY MOUNT TO BODY @48" ASSEMBLE WITH 5/16" BOLTS AND NUT CUP AND 5/16" BOLT

BRACKET ASSEMBLY MOUNT TO BODY @69" ASSEMBLE WITH 5/16" BOLTS AND #14 SELF DRILLING SCREW



MOUNT AT LOCATION SHOWN AT ①

④ BEND STONE GUARD BY HAND AND KNEE TO FIT THE WHEEL WELL BEFORE INSTALLING TO RUNNING BOARD



⑦ INSTALL END CAP TO BOARD WITH 3/8" SELF TAPPING BOLT

⑥ SLIDE TWO 1/4"x5/8" SQUARE HEAD SCREW INTO EACH TRACK.

⑤

FASTEN FRONT STONE GUARD TO BOARDS WITH 3/8" SELF TAPPING BOLT. BEND STONE GUARD BY HAND AND KNEE TO FIT THE WHEEL WELL

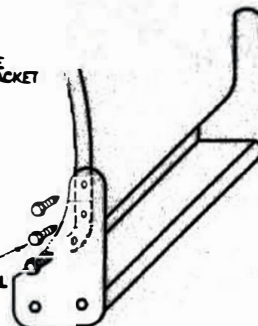
⑧

HOLD BOARD IN PLACE, WITH THE REAR RESTING ON THE BACK BRACKET

NOTE: BE SURE THAT 1/4" BOLTS ARE PLACED INTO THE BRACKET STEP SUPPORT

⑨

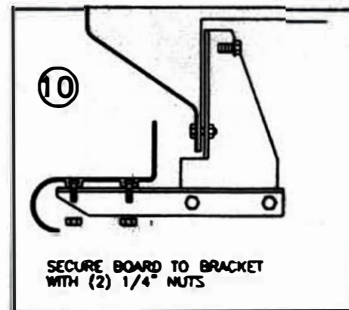
SCREW THROUGH STONE GUARD INTO FENDERWELL LIP USING #14 BY 3/4 SELF DRILLING SCREWS. MAKE SURE YOU DRILL INTO METAL



3 PLACES AT EACH STONE GUARD

⑩

SECURE BOARD TO BRACKET WITH (2) 1/4" NUTS



⑪

WITH BOARD LEVEL TIGHTEN ALL LOOSE BOLTS

⑫

REPEAT FOR OTHER SIDE