

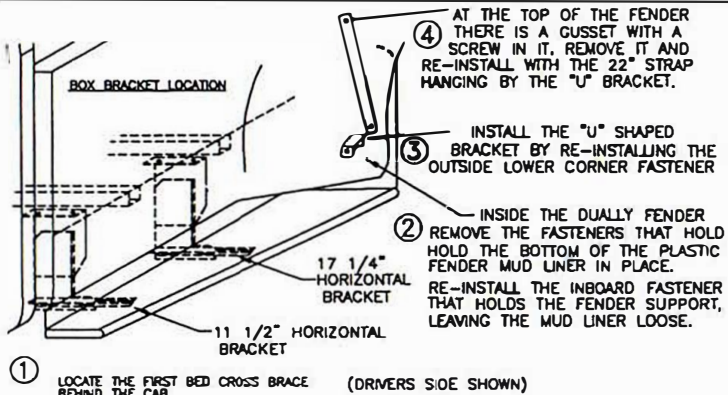


87-96 FORD DUALY BOARD

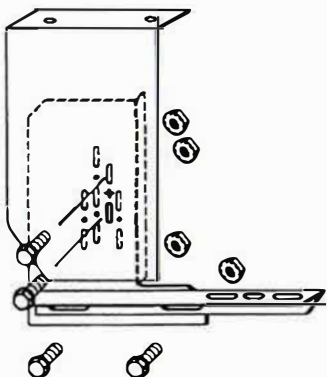
DRILLING INTO BODY AND FRAME IS REQUIRED.

INSTALLATION PARTS LIST	QTY.	DESCRIPTION	QTY.	DESCRIPTION
	1	DUALY BOARD 1 DRIVER & 1 PASSENGER	4	5/16" CLIP NUT
	1	STONE GUARD 1 LEFT & 1 RIGHT	24	5/16"x 3/4" BOLT
	8	3/8"x1 SELF TAPPING SCREW	20	5/16-18 HEX WASHER HEAD NUT
	6	#14x3/4" SHEET METAL SCREW	4	FLAT BRACKET, FL74
	8	1/4x5/8" SQUARE HEAD SCREW	4	FLAT BRACKET, FL73 D&P
	8	1/4-20 HEX NUT	2	HORIZONTAL BRACKET, 11 1/2", 3124F
	1	END CAP 1 LEFT & 1 RIGHT	2	HORIZONTAL BRACKET, 17 1/4", 3124G
	4	ANGLE SUPPORT, BA01	4	#14 X 3/4 TEK SCREW
	2	"U" BRACKET	2	22" STRAP

TOOLS REQUIRED: 5/16" DRILL • 1/2" HEX SOCKET • 1/2" WRENCH • 5/16" NUT DRIVER • 3/8" NUT DRIVER

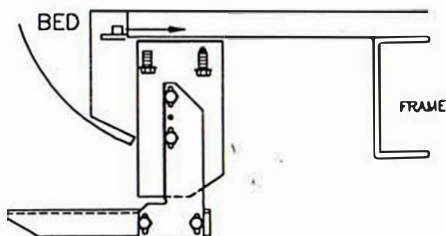


5 BRACKET ASSEMBLY ASSEMBLE WITH 5/16" BOLTS



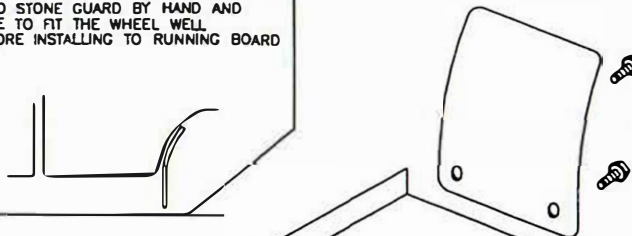
6 PREDRILL A 5/16" HOLE NEAR THE END OF THE CROSSBRACE. SLIDE NUT CUP INTO END OF CROSS BRACE AT BRACKET LOCATION.

BRACKET ASSEMBLY MOUNT TO BED ASSEMBLE WITH 5/16" BOLTS AND NUT CUP AND #14 SELF DRILLING SCREW



MOUNT AT LOCATION SHOWN AT 1

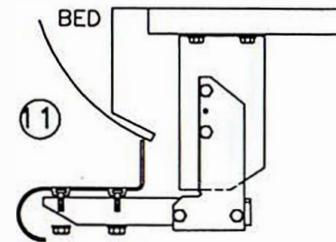
7 BEND STONE GUARD BY HAND AND KNEE TO FIT THE WHEEL WELL BEFORE INSTALLING TO RUNNING BOARD



8 FASTEN REAR STONE GUARD TO BOARDS WITH 3/8" SELF TAPPING BOLT. BEND STONE GUARD BY HAND AND KNEE TO FIT THE WHEEL WELL.

9 SLIDE TWO 1/4"x5/8" SQUARE HEAD SCREW INTO EACH TRACK.

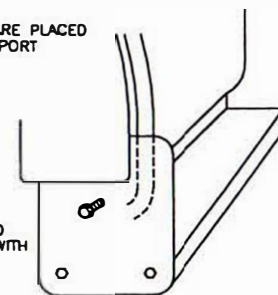
10 INSTALL END CAP TO BOARD WITH 3/8" SELF TAPPING BOLT



11 SECURE BOARD TO BRACKET WITH (2) 1/4" NUTS

12 HOLD BOARD IN PLACE, WITH THE FRONT RESTING ON THE BOX BRACKET. NOTE: BE SURE THAT 1/4" BOLTS ARE PLACED INTO THE BRACKET STEP SUPPORT

13 DRILL 5/16" THROUGH STONE GUARD LINING UP WITH THE HOLE IN THE "U" BRACKET. FASTEN THROUGH STONE GUARD 22" STRAP AND "U" BRACKET WITH 5/16" NUTS AND BOLTS



14 DRILL 5/16" HOLES THROUGH THE PLASTIC LINER AND STONE GUARD, FASTEN WITH 5/16 NUTS AND BOLTS. TRIM PLASTIC LINER FOR APPEARANCE.

15 WITH BOARD LEVEL TIGHTEN ALL LOOSE BOLTS

16 REPEAT FOR OTHER SIDE