

OWENS 94-01 DODGE RAM DUALY BOARD

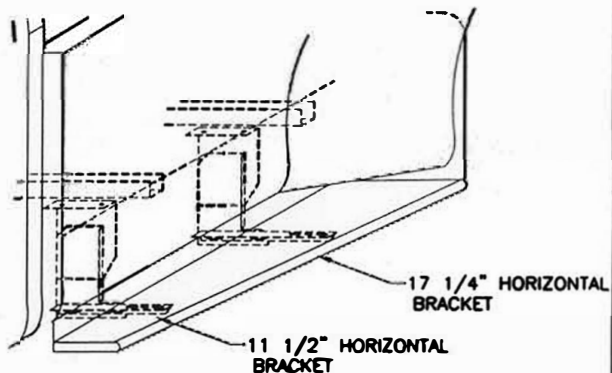
DRILLING INTO BODY AND FRAME IS REQUIRED.

INSTALLATION PARTS LIST:	QTY.	DESCRIPTION	QTY.	DESCRIPTION
	1	DUALY BOARD 1 DRIVER & 1 PASSENGER	2	5/16" CUP NUT
	1	STONE GUARD 1 LEFT & 1 RIGHT	20	5/16"x 3/4" BOLT
	8	3/8"x1 SELF TAPPING SCREW	18	5/16-18 HEX WASHER HEAD NUT
	6	#14x3/4" SHEET METAL SCREW	4	FLAT BRACKET, FL74
	6	1/4x5/8" SQUARE HEAD SCREW	4	FLAT BRACKET, FL73 D&P
	8	1/4-20 HEX NUT	2	HORIZONTAL BRACKET, 11 1/2", 3124F
	1	END CAP 1 LEFT & 1 RIGHT	2	HORIZONTAL BRACKET, 17 1/4", 3124G
			10	#14 X 3/4 TEX SCREW

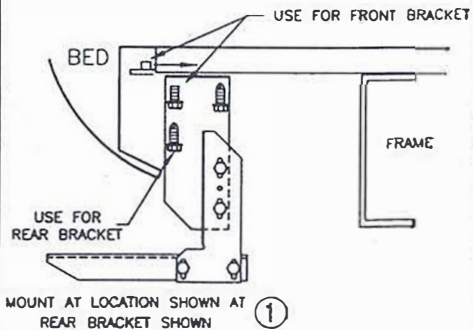
TOOLS REQUIRED: 5/16" DRILL • 1/2" HEX SOCKET • 1/2" WRENCH • 5/16" NUT DRIVER • 3/8" NUT DRIVER

1 BOX BRACKET LOCATION

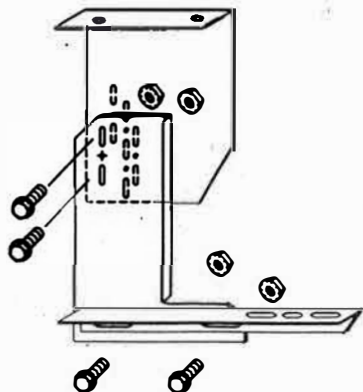
LOCATE THE FIRST BED CROSS BRACE BEHIND THE CAB (DRIVERS SIDE SHOWN)



3 FRONT BRACKET MOUNTING
 PREDRILL A 5/16" HOLE NEAR THE END OF THE FRONT CROSSBRACE. SLIDE NUT CLIP INTO END OF CROSS BRACE AT BRACKET LOCATION.
BRACKET ASSEMBLY MOUNT TO BED, ASSEMBLE WITH 5/16" BOLTS, NUT CLIP AND #14 SELF DRILLING SCREW
REAR BRACKET MOUNTING
 MOUNT LIKE THE FRONT BRACKET, BUT USE 2 #14 SCREWS TO MOUNT TO THE BED.



2 BRACKET ASSEMBLY
 ASSEMBLE WITH 5/16" BOLTS
 MOUNT THE ANGLE STRAP TO THE REAR BRACKET ONLY



4 BEND STONE GUARD BY HAND AND KNEE TO FIT THE WHEEL WELL BEFORE INSTALLING TO RUNNING BOARD



7 INSTALL END CAP TO BOARD WITH 3/8" SELF TAPPING BOLT

6 SLIDE TWO 1/4"x5/8" SQUARE HEAD SCREW INTO EACH TRACK.

8 HOLD BOARD IN PLACE, WITH THE BOARD RESTING ON THE BOX BRACKETS
NOTE:
 BE SURE THAT 1/4" BOLTS ARE PLACED INTO THE BRACKET STEP SUPPORT

9 SCREW THROUGH STONE GUARD INTO INNER STEEL FENDER LIP USING #14 BY 3/4 SHEET METAL SCREWS. MAKE SURE YOU DRILL INTO METAL. DO NOT DRILL INTO THE PLASTIC DUALY FENDERS
 3 PLACES AT EACH STONE GUARD

11 WITH BOARD LEVEL TIGHTEN ALL LOOSE BOLTS

5 FASTEN REAR STONE GUARD TO BOARDS WITH 3/8" SELF TAPPING BOLT. BEND STONE GUARD BY HAND AND KNEE TO FIT THE WHEEL WELL

10 SECURE BOARD TO BRACKET WITH (2) 1/4" NUTS

12 REPEAT FOR OTHER SIDE