

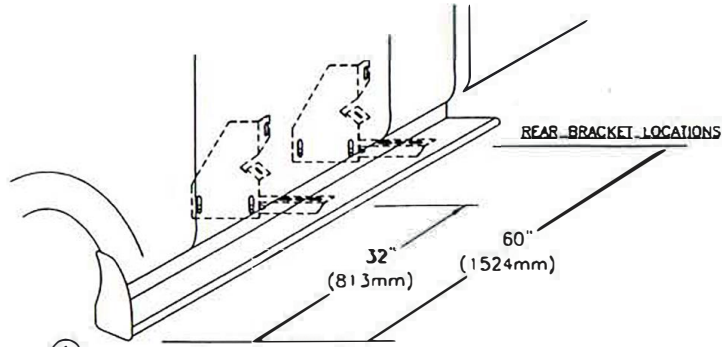


# 97-03 F150 EXTENDED CAB

YOUR BRACKETS INSTALL IN FACTORY HOLES

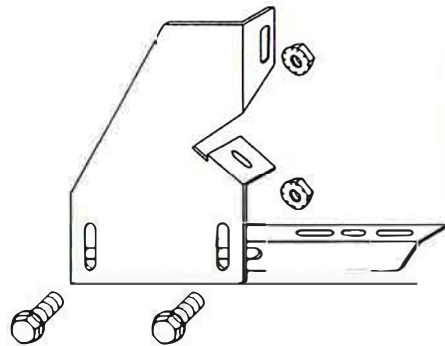
| INSTALLATION PARTS LIST: | QTY. | DESCRIPTION                          | QTY. | DESCRIPTION                            |
|--------------------------|------|--------------------------------------|------|--|
|                          | 1    | RUNNING BOARD 1 DRIVER & 1 PASSENGER | 1    | END CAP 1 LEFT & 1 RIGHT               |
|                          | 1    | STONE GUARD 1 LEFT & 1 RIGHT         | 2    | 5/16" CLIP NUT                         |
|                          | 8    | 3/8"x1 SELF TAPPING SCREW            | 20   | 5/16"x 3/4" BOLT                       |
|                          | 8    | #14x3/4" TEK SCREW                   | 18   | 5/16-18 HEX NUT                        |
|                          | 8    | 1/4"x5/8" SQUARE HEAD SCREW          | 4    | FLAT BRACKET, FLO5 D&P 2", FL46 D&P 4" |
|                          | 8    | 1/4-20 HEX NUT                       | 4    | HORIZONTAL BRACKET, SUPPORT, 3124F     |

TOOLS REQUIRED: 5/16" DRILL • 1/2" HEX SOCKET • 1/2" WRENCH • 5/16" NUT DRIVER • 3/8" NUT DRIVER

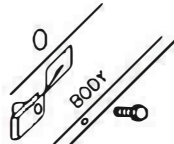


① (DRIVERS SIDE SHOWN)  
MEASURE FROM FRONT WHEEL WELL TO BRACKET LOCATIONS. MARK THIS DIMENSION ON THE PINCH WELD

② BRACKET ASSEMBLY ASSEMBLE WITH 5/16" BOLTS

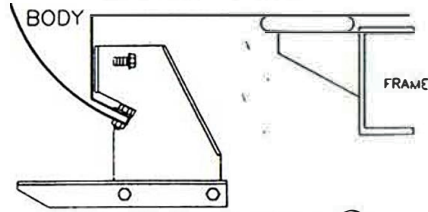


SLIDE NUT CUP INTO BODY HOLES AT BRACKET LOCATION AT 32"



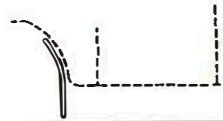
③ BRACKET ASSEMBLY MOUNT TO BODY @32" ASSEMBLE WITH 5/16" BOLTS AND NUT CUP AND 5/16" BOLT

BRACKET ASSEMBLY MOUNT TO BODY @60" ASSEMBLE WITH 5/16" BOLTS AND #14 SELF DRILLING SCREW



MOUNT AT LOCATION SHOWN AT ①

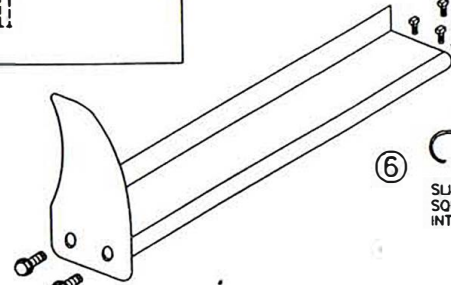
④ BEND STONE GUARD BY HAND AND KNEE TO FIT THE WHEEL WELL BEFORE INSTALLING TO RUNNING BOARD



⑦ INSTALL END CAP TO BOARD WITH 3/8" SELF TAPPING BOLT



⑤ FASTEN FRONT STONE GUARD TO BOARDS WITH 3/8" SELF TAPPING BOLT. BEND STONE GUARD BY HAND AND KNEE TO FIT THE WHEEL WELL



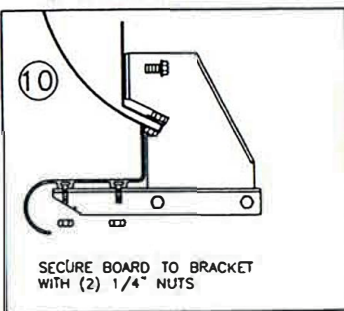
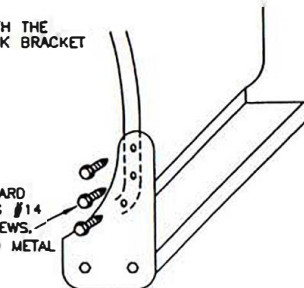
⑥ SLIDE TWO 1/4"x5/8" SQUARE HEAD SCREW INTO EACH TRACK.

NOTE: BE SURE THAT 1/4" BOLTS ARE PLACED INTO THE BRACKET STEP SUPPORT

⑧ HOLD BOARD IN PLACE, WITH THE REAR RESTING ON THE BACK BRACKET

⑨ SCREW THROUGH STONE GUARD INTO FENDERWELL LIP USING #14 BY 3/4 SELF DRILLING SCREWS. MAKE SURE YOU DRILL INTO METAL

3 PLACES AT EACH STONE GUARD



SECURE BOARD TO BRACKET WITH (2) 1/4" NUTS

⑪ WITH BOARD LEVEL TIGHTEN ALL LOOSE BOLTS

1N229  
06/06/03

⑫ REPEAT FOR OTHER SIDE