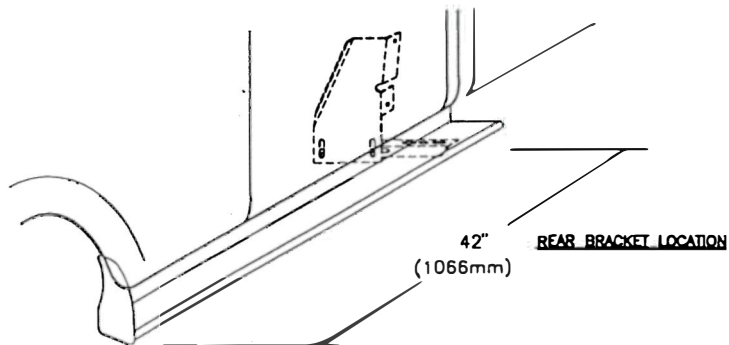


94-CURRENT DODGE STANDARD CAB



TOOLS REQUIRED: 5/16" DRILL • 1/2" HEX SOCKET • 1/2" WRENCH • 5/16" NUT DRIVER • 3/8" NUT DRIVER

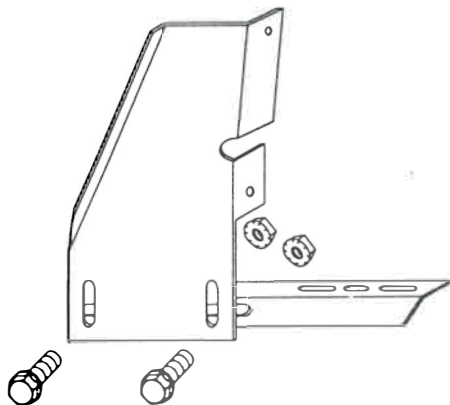
YOUR BRACKET MOUNT HOLES WILL NEED TO BE DRILLED INTO THE BODY



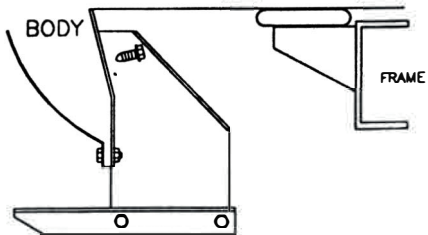
① MEASURE FROM FRONT WHEEL WELL TO BRACKET LOCATION
MARK THIS DIMENSION ON THE PINCH WELD

(DRIVERS SIDE SHOWN)

② BRACKET ASSEMBLY
ASSEMBLE WITH 5/16" BOLTS



③ BRACKET ASSEMBLY MOUNT TO BODY
ASSEMBLY WITH 5/16" BOLTS AND
#14 SELF DRILLING TEK SCREW



MOUNT AT LOCATION SHOWN AT ①

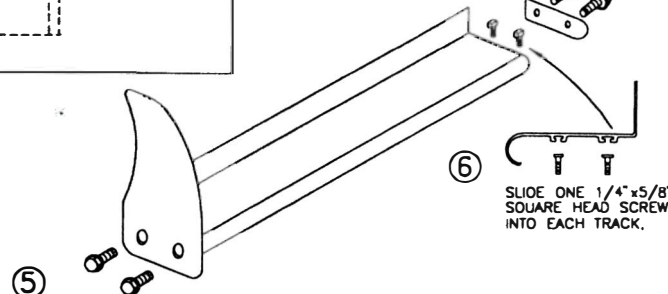
④ BEND STONE GUARD BY HAND AND
KNEE TO FIT THE WHEEL WELL
BEFORE INSTALLING TO RUNNING BOARD



⑦ INSTALL END CAP TO BOARD
WITH 3/8" SELF TAPPING BOLT



⑤ FASTEN FRONT STONE GUARD
TO BOARDS WITH 3/8" SELF
TAPPING BOLT. BEND STONE
GUARD BY HAND AND KNEE
TO FIT THE WHEEL WELL



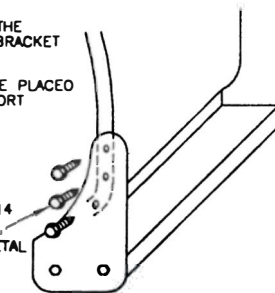
⑦ HOLD BOARD IN PLACE, WITH THE
REAR RESTING ON THE BACK BRACKET

NOTE:

BE SURE THAT 1/4" BOLTS ARE PLACED
INTO THE BRACKET STEP SUPPORT

⑧

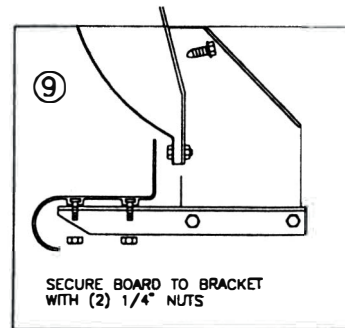
SCREW THROUGH STONE GUARD
INTO FENDERWELL LIP USING #14
BY 3/4 SELF DRILLING SCREWS,
MAKE SURE YOU DRILL INTO METAL



3 PLACES AT EACH STONE GUARD

⑨

SECURE BOARD TO BRACKET
WITH (2) 1/4" NUTS



⑩

WITH BOARD LEVEL TIGHTEN
ALL LOOSE BOLTS

⑪

REPEAT FOR OTHER SIDE

INSTALLATION PARTS LIST:

QTY.	DESCRIPTION
1	RUNNING BOARD 1 DRIVER & 1 PASSENGER
1	STONE GUARD 1 LEFT & 1 RIGHT
8	3/8"x1 SELF TAPPING SCREW
8	#14x3/4" TEK SCREW
4	1/4x5/8" SQUARE HEAD SCREW
4	1/4-20 HEX NUT

QTY. DESCRIPTION

1	END CAP 1 LEFT & 1 RIGHT
6	5/16" x 3/4" WASHER HEAD BOLT
6	5/16-18 HEX WASHER HEAD NUT
2	FLAT BRACKET
2	HORIZONTAL BRACKET, SUPPORT, J124F

Choose reliable running boards offered on our website.