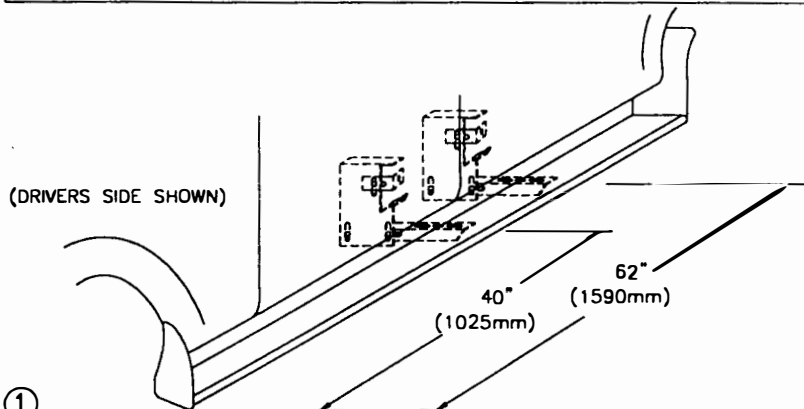


**OWENS** 00-Current, Chevy Suburban/GMC Yukon XL

NOTE: USE FACTORY HOLES ONLY

INSTALLATION PARTS LIST:	QTY.	DESCRIPTION	QTY.	DESCRIPTION
	2	RUNNING BOARD 1 DRIVER & 1 PASSENGER	4	HORIZONTAL BRACKET, SUPPORT, 3124F
	4	STONE GUARD 2 LEFT & 2 RIGHT	16	5/16"x 3/4" BOLT
	8	3/8"x1 SELF TAPPING SCREW	16	5/16-18 HEX WASHER HEAD NUT
	12	#14x3/4" TEK SCREW	4	FLAT BRACKET, FL102
	8	1/4x5/8" SQUARE HEAD SCREW	4	BENT TAB AS02
	8	1/4-20 HEX NUT	4	8mm x 25mm Bolts
			4	5/16" Lock Washer

TOOLS REQUIRED: 5/16" DRILL • 1/2" HEX SOCKET • 1/2" WRENCH • 5/16" NUT DRIVER • 3/8" NUT DRIVER



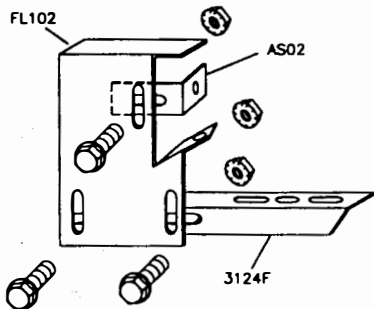
(DRIVERS SIDE SHOWN)

①

MEASURE FROM FRONT WHEEL WELL TO BRACKET LOCATIONS. MARK THIS DIMENSION ON THE PINCH WELD  
NOTE: FACTORY HOLES WILL BE CLOSE TO THESE MEASUREMENTS—USE FACTORY HOLES ONLY

②

BRACKET ASSEMBLY ASSEMBLE WITH 5/16" BOLTS

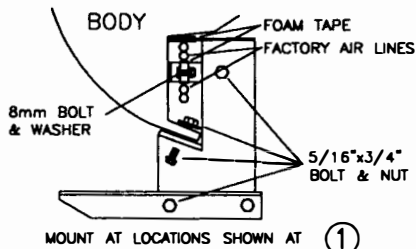


③

BRACKET ASSEMBLY MOUNT TO BODY

ON PASSENGER SIDE WITH AIR AND HEAT LINES, WRAP AS02 ANGLE STRAP WITH FOAM TAPE SO THE LINES ARE PROTECTED. PLACE FOAM TAPE AT THE TOP OF ALL FLAT BRACKETS. ATTACH THE BRACKET ASSEMBLY TO THE FACTORY 8mm HOLES. DO NOT TIGHTEN YET.

BOLT THE FLAT BRACKET TO THE FACTORY HOLES IN THE PINCH WELD. TIGHTEN ALL SCREWS EXCEPT TO HORIZONTAL BRACKET. NOTE: TOP OF THE FLAT PLATE MUST HIT ROCKER PANEL.



⑤

BEND STONE GUARD BY HAND AND KNEE TO FIT THE WHEEL WELL BEFORE INSTALLING TO RUNNING BOARD



INSTALL STONE GUARD TO OTHER END OF BOARD

⑧

⑦

SLIDE TWO 1/4"x5/8" SQUARE HEAD SCREW INTO EACH TRACK,

⑥

FASTEN FRONT STONE GUARD TO BOARDS WITH 3/8" SELF TAPPING BOLT. BEND STONE GUARD BY HAND AND KNEE TO FIT THE WHEEL WELL

⑨

HOLD BOARD IN PLACE, WITH THE REAR RESTING ON THE BACK BRACKET

⑩

SCREW THROUGH STONE GUARD INTO FENDERWELL LIP USING #14 BY 3/4 SELF DRILLING SCREWS. MAKE SURE YOU DRILL INTO METAL

3 PLACES AT EACH STONE GUARD

NOTE: BE SURE THAT 1/4" BOLTS ARE PLACED INTO THE BRACKET STEP SUPPORT

⑪

SECURE BOARD TO BRACKET WITH (2) 1/4" NUTS

⑫

WITH BOARD LEVEL TIGHTEN ALL LOOSE BOLTS

⑬

REPEAT FOR OTHER SIDE