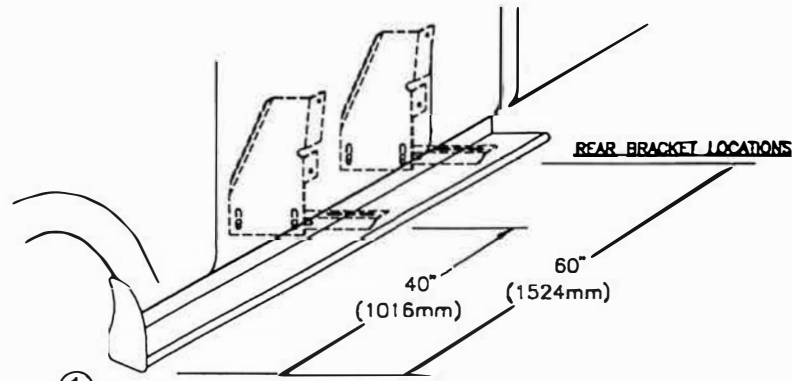


94-CURRENT DODGE QUAD CAB



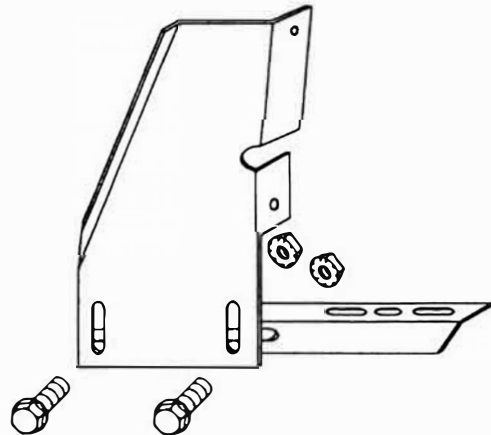
TOOLS REQUIRED: 5/16" DRILL • 1/2" HEX SOCKET • 1/2" WRENCH • 5/16" NUT DRIVER • 3/8" NUT DRIVER

YOUR BRACKET MOUNT HOLES WILL NEED TO BE DRILLED INTO THE BODY

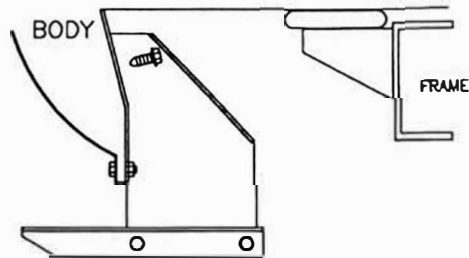


① MEASURE FROM FRONT WHEEL WELL TO BRACKET LOCATIONS. MARK THIS DIMENSION ON THE PINCH WELD
(DRIVERS SIDE SHOWN)

② BRACKET ASSEMBLY ASSEMBLE WITH 5/16" BOLTS



③ BRACKET ASSEMBLY MOUNT TO BODY ASSEMBLE WITH 5/16" BOLTS AND #14 SELF DRILLING TEK SCREW

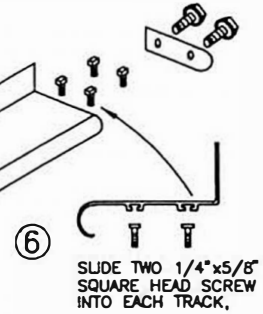


MOUNT AT LOCATION SHOWN AT ①

④ BEND STONE GUARD BY HAND AND KNEE TO FIT THE WHEEL WELL BEFORE INSTALLING TO RUNNING BOARD



⑦ INSTALL END CAP TO BOARD WITH 3/8" SELF TAPPING BOLT



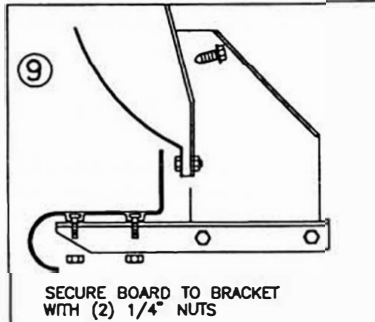
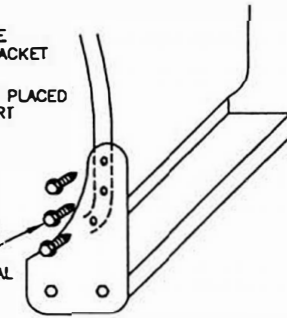
⑤ FASTEN FRONT STONE GUARD TO BOARDS WITH 3/8" SELF TAPPING BOLT. BEND STONE GUARD BY HAND AND KNEE TO FIT THE WHEEL WELL

⑤

⑦ HOLD BOARD IN PLACE, WITH THE REAR RESTING ON THE BACK BRACKET
NOTE: BE SURE THAT 1/4" BOLTS ARE PLACED INTO THE BRACKET STEP SUPPORT

⑧ SCREW THROUGH STONE GUARD INTO FENDERWELL LIP USING #14 BY 3/4 SELF DRILLING SCREWS, MAKE SURE YOU DRILL INTO METAL

3 PLACES AT EACH STONE GUARD



SECURE BOARD TO BRACKET WITH (2) 1/4" NUTS

⑩ WITH BOARD LEVEL TIGHTEN ALL LOOSE BOLTS

⑪ REPEAT FOR OTHER SIDE

INSTALLATION PARTS LIST:

QTY.	DESCRIPTION
1	RUNNING BOARD 1 DRIVER & 1 PASSENGER
1	STONE GUARD 1 LEFT & 1 RIGHT
8	3/8" x 1 SELF TAPPING SCREW
10	#14 x 3/4" TEK SCREW
8	1/4 x 5/8" SQUARE HEAD SCREW
8	1/4-20 HEX NUT

QTY.	DESCRIPTION
1	END CAP 1 LEFT & 1 RIGHT
16	5/16" x 3/4" WASHER HEAD BOLT
16	5/16-18 HEX WASHER HEAD NUT
4	HORIZONTAL BRACKET, SUPPORT, 3124F
4	FLAT BRACKET, FLO9 2" RISER
4	FLAT BRACKET, FL15 4" RISER

IN-19
02/07/01