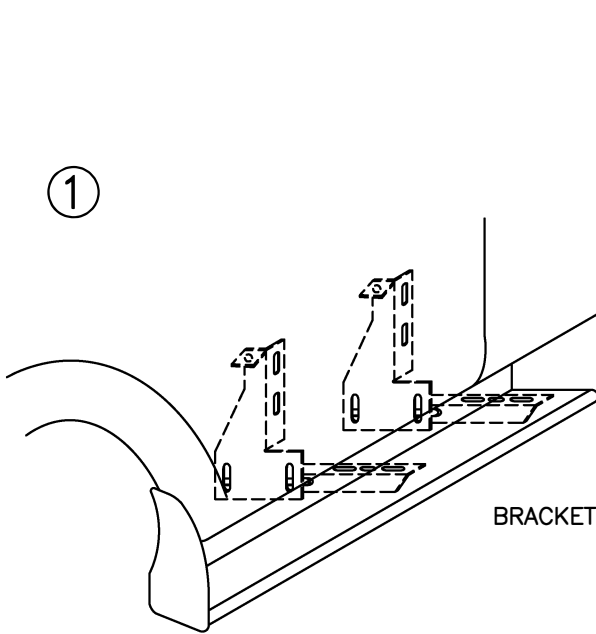


1992-CURRENT FORD CUT OFF VAN



TOOLS REQUIRED: 5/16" DRILL * 1/2" HEX SOCKET * 1/2" WRENCH * 5/16" NUT DRIVER * 3/8" NUT DRIVER

①



DRIVER SIDE SHOWN.

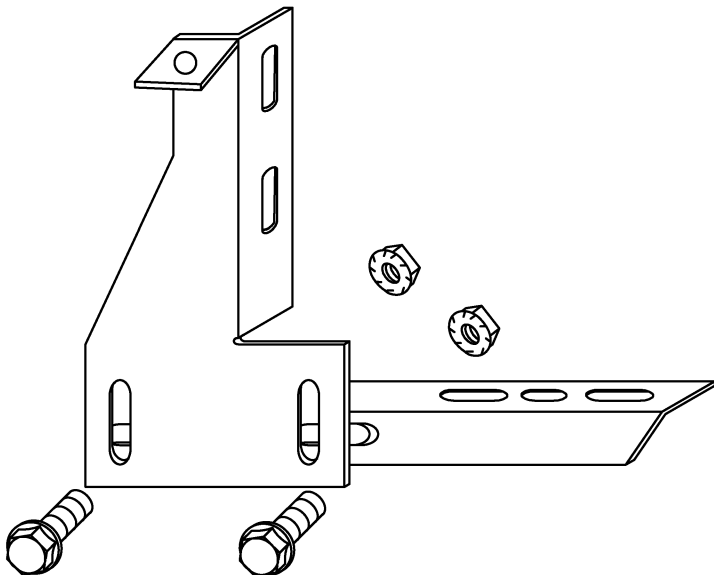
BRACKET LOCATIONS ARE AT 14" AND 38"

MEASURE FROM FRONT WHEEL WELL TO BRACKET LOCATIONS. MARK THIS DIMENSION ON THE PINCH WELD

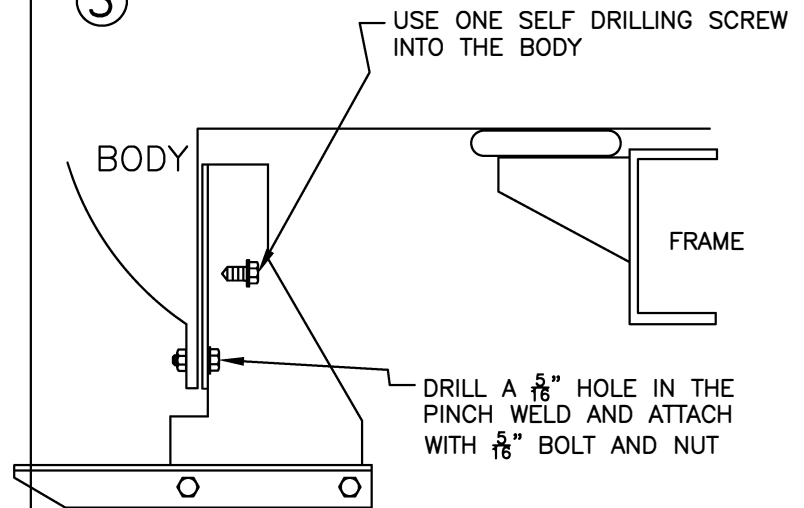
(DRIVERS SIDE SHOWN)

②

BRACKET ASSEMBLY
ASSEMBLE WITH 5/16" BOLTS



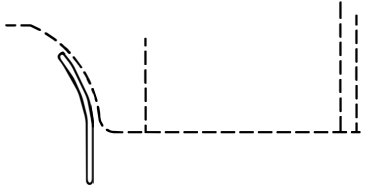
③



MOUNT AT LOCATIONS SHOWN AT ①

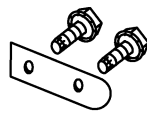
④

BEND STONE GUARD BY HAND AND KNEE TO FIT THE WHEEL WELL BEFORE INSTALLING TO RUNNING BOARD



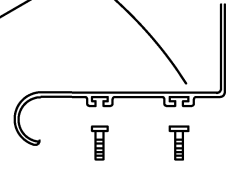
⑦

INSTALL END CAP TO BOARD WITH 3/8" SELF TAPPING BOLT



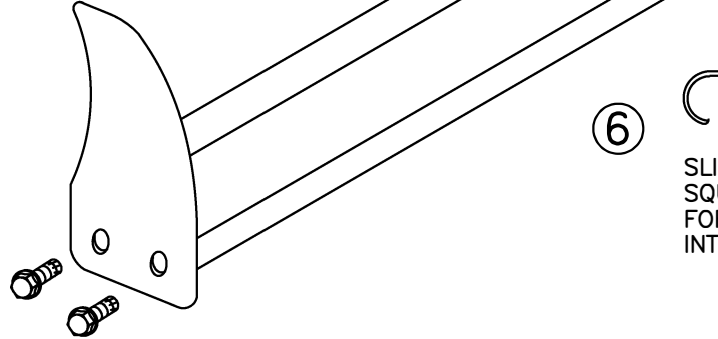
⑥

SLIDE ONE 1/4"x5/8" SQUARE HEAD SCREW FOR EACH BRACKET INTO TRACK.



⑤

FASTEN FRONT STONE GUARD TO BOARDS WITH 3/8" SELF TAPPING BOLT. BEND STONE GUARD BY HAND AND KNEE TO FIT THE WHEEL WELL



⑧

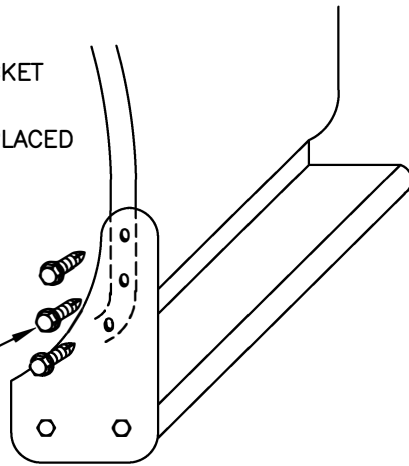
HOLD BOARD IN PLACE, WITH THE REAR RESTING ON THE BACK BRACKET

NOTE:

BE SURE THAT 1/4" BOLTS ARE PLACED INTO THE BRACKET STEP SUPPORT

⑨

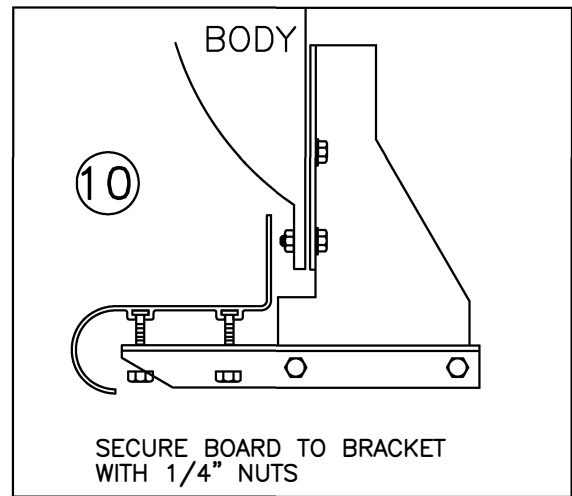
SCREW THROUGH STONE GUARD INTO FENDERWELL LIP USING #14 BY 3/4 SELF DRILLING SCREWS, MAKE SURE YOU DRILL INTO METAL



3 PLACES AT EACH STONE GUARD

⑩

SECURE BOARD TO BRACKET WITH 1/4" NUTS



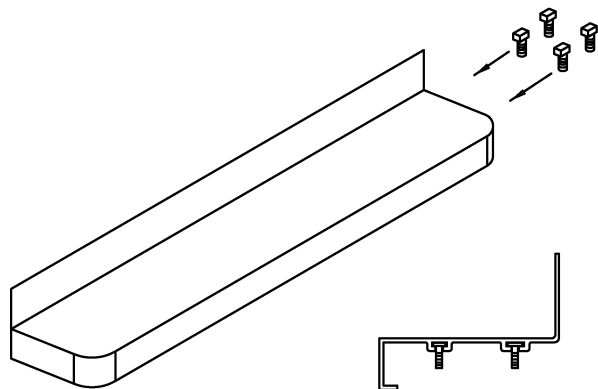
⑪

FOR BOARDS WITH NO STONE GUARD OR ABS PLASTIC BOARDS REFER TO NEXT PAGE

1992-CURRENT FORD CUT OFF VAN

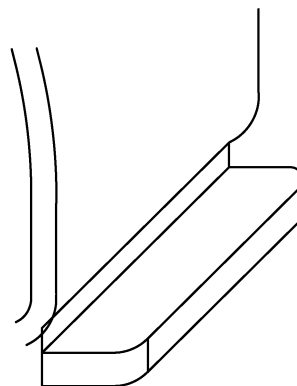
11

PROCEED TO STEP 13 IF PLASTIC BOARDS ARE TO BE INSTALLED.



SLIDE ONE 1/4" X 5/8" SQUARE HEAD SCREWS INTO EACH TRACK FOR EACH BRACKET.

12



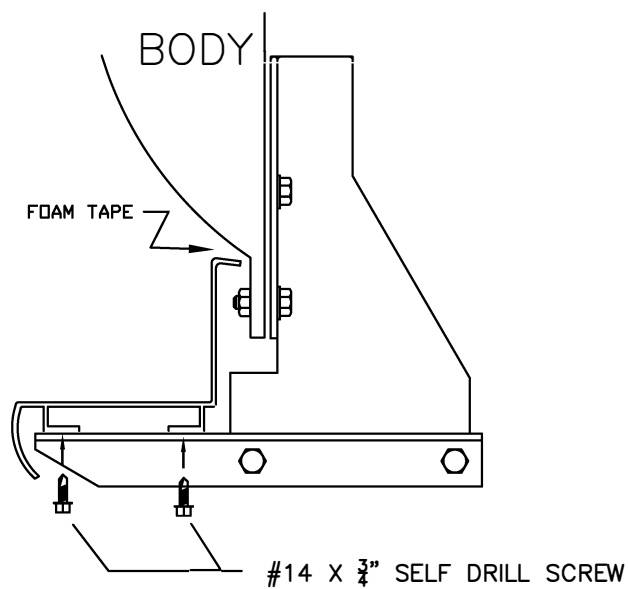
HOLD THE BOARD IN PLACE WITH IT RESTING ON THE BRACKETS.

BE SURE THAT THE 1/4" BOLTS ARE PLACED INTO THE SLOTS IN THE BRACKET STEP SUPPORT FASTEN WITH 1/4" NUTS

13

FOR PLASTIC BOARDS, APPLY FOAM TAPE AND STEP TREAD TO BOARD. ATTACH THE BOARD TO THE BRACKETS WITH SELF DRILLING SCREWS.

DO NOT DRILL THROUGH LIP OF BOARD INTO BODY



14

WITH BOARD LEVEL TIGHTEN ANY LOOSE BOLTS

REPEAT FOR OTHER SIDE