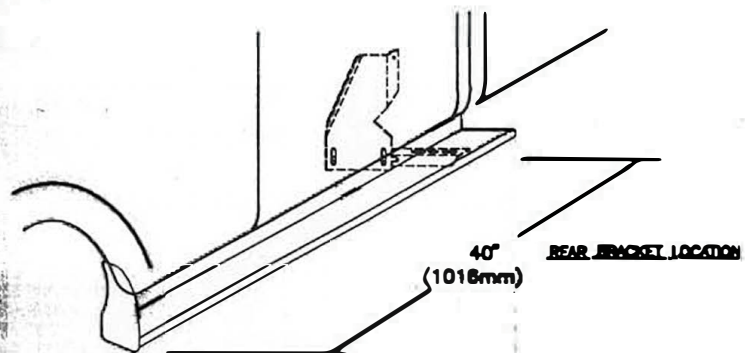


98-CURRENT GMC H.D. STANDARD CAB



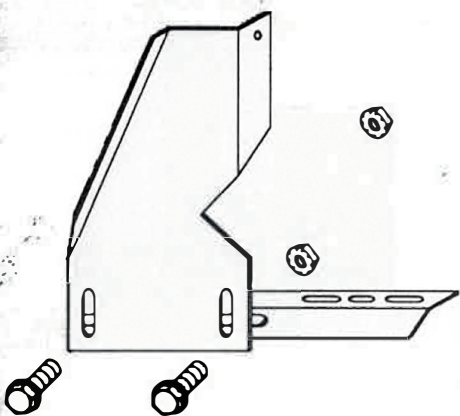
TOOLS REQUIRED: 5/16" DRILL • 1/2" HEX SOCKET • 1/2" WRENCH • 5/16" NUT DRIVER • 3/8" NUT DRIVER

YOUR BRACKET MOUNT HOLDER WILL NEED TO BE DRILLED INTO THE BODY

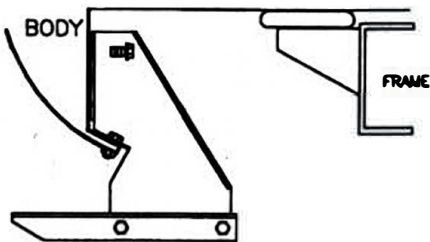


① MEASURE FROM FRONT WHEEL WELL TO BRACKET LOCATION
MARK THIS DIMENSION ON THE PINCH WELD
(DRIVERS SIDE SHOWN)

② BRACKET ASSEMBLY
ASSEMBLE WITH 5/16" BOLTS



③ BRACKET ASSEMBLY MOUNT TO BODY
ASSEMBLY WITH 5/16" BOLTS AND
#14 SELF DRILLING TEX SCREW

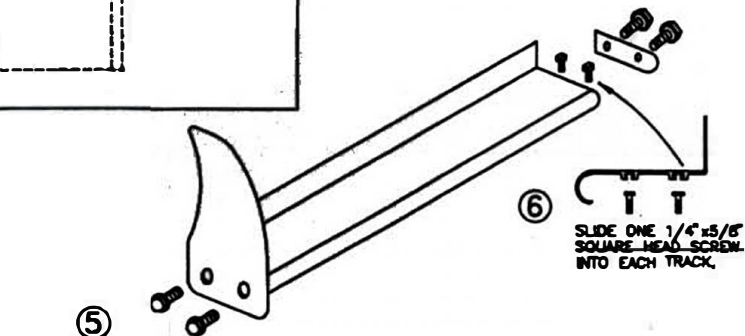


MOUNT AT LOCATION SHOWN AT ①

④ BEND STONE GUARD BY HAND AND
KNEE TO FIT THE WHEEL WELL
BEFORE INSTALLING TO RUNNING BOARD



⑦ INSTALL END CAP TO BOARD
WITH 3/8" SELF TAPPING BOLT



⑤ FASTEN FRONT STONE GUARD
TO BOARDS WITH 3/8" SELF
TAPPING BOLT. BEND STONE
GUARD BY HAND AND KNEE
TO FIT THE WHEEL WELL

⑥ SLIDE ONE 1/4" x 5/8"
SQUARE HEAD SCREW
INTO EACH TRACK.

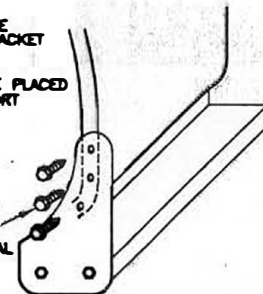
⑦ HOLD BOARD IN PLACE, WITH THE
REAR RESTING ON THE BACK BRACKET

NOTE:

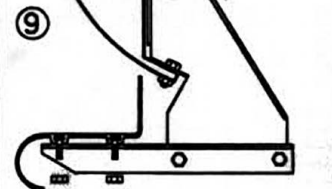
BE SURE THAT 1/4" BOLTS ARE PLACED
INTO THE BRACKET STEP SUPPORT

⑧

SCREW THROUGH STONE GUARD
INTO FENDERWELL LIP USING #14
BY 3/4" SELF DRILLING SCREWS.
MAKE SURE YOU DRILL INTO METAL.



3 PLACES AT EACH STONE GUARD



⑨ SECURE BOARD TO BRACKET
WITH (2) 1/4" NUTS

⑩

WITH BOARD LEVEL, TIGHTEN
ALL LOOSE BOLTS

⑪

REPEAT FOR OTHER SIDE.

**INSTALLATION
PARTS LIST:**

QTY.	DESCRIPTION
1	RUNNING BOARD 1 DRIVER & 1 PASSENGER
1	STONE GUARD 1 LEFT & 1 RIGHT
8	3/8" x 1 SELF TAPPING SCREW
8	#14 x 3/4" TEX SCREW
4	1/4" x 5/8" SQUARE HEAD SCREW
4	1/4"-20 HEX NUT

QTY. DESCRIPTION

1	END CAP - LEFT & 1 RIGHT
8	5/16" x 3/4" WASHER HEAD BOLT
8	5/16"-18 HEX WASHER HEAD NUT
2	FLAT BRACKET, FLD7
2	HORIZONTAL BRACKET, SUPPORT, 3124F