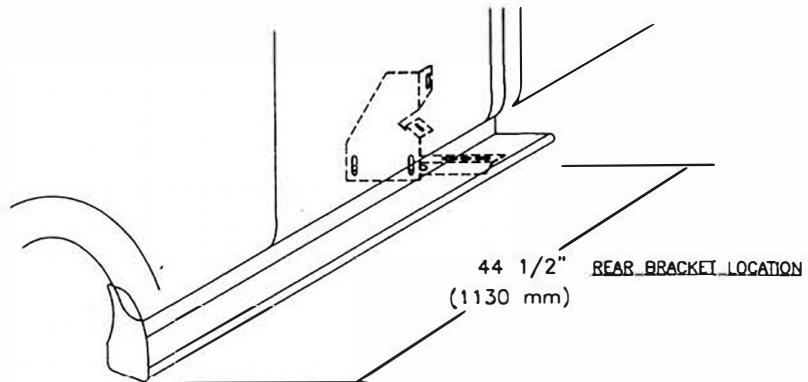


OWENS 97-03 F150 STANDARD CAB

YOUR BRACKETS INSTALL IN FACTORY HOLES

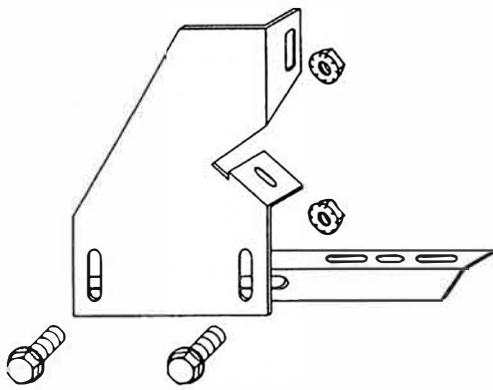
INSTALLATION PARTS LIST:	QTY.	DESCRIPTION	QTY.	DESCRIPTION
	1	RUNNING BOARD 1 DRIVER & 1 PASSENGER	1	END CAP 1 LEFT & 1 RIGHT
	1	STONE GUARD 1 LEFT & 1 RIGHT	2	5/16" CLIP NUT
	8	3/8"x1 SELF TAPPING SCREW	10	5/16"x 3/4" BOLT
	6	#14x3/4" TEK SCREW	8	5/16-18 HEX WASHER HEAD NUT
	4	1/4"x5/8" SQUARE HEAD SCREW	2	FLAT BRACKET, FLO5 D&P 2", FL46 D&P 4"
	4	1/4-20 HEX NUT	2	HORIZONTAL BRACKET, SUPPORT, 3124F

TOOLS REQUIRED: 5/16" DRILL • 1/2" HEX SOCKET • 1/2" WRENCH • 5/16" NUT DRIVER • 3/8" NUT DRIVER



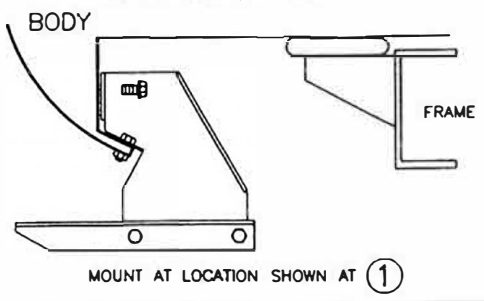
① (DRIVERS SIDE SHOWN)
MEASURE FROM FRONT WHEEL WELL TO BRACKET LOCATION
MARK THIS DIMENSION ON THE PINCH WELD

② BRACKET ASSEMBLY
ASSEMBLE WITH 5/16" BOLTS

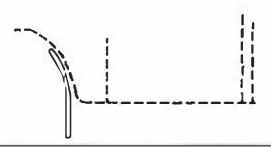


SLIDE NUT CUP INTO BODY HOLES AT BRACKET LOCATION

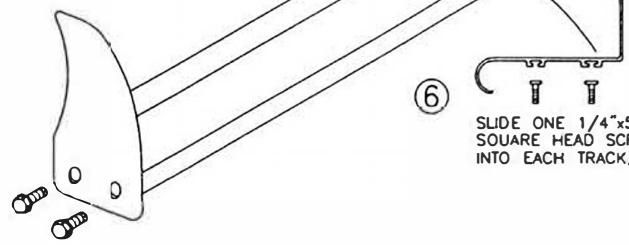
③ BRACKET ASSEMBLY MOUNT TO BODY
ASSEMBLY WITH 5/16" BOLTS AND
NUT CUP AND 5/16" BOLT



④ BEND STONE GUARD BY HAND AND
KNEE TO FIT THE WHEEL WELL
BEFORE INSTALLING TO RUNNING BOARD

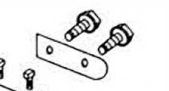


⑤ FASTEN FRONT STONE GUARD
TO BOARDS WITH 3/8" SELF
TAPPING BOLT. BEND STONE
GUARD BY HAND AND KNEE
TO FIT THE WHEEL WELL

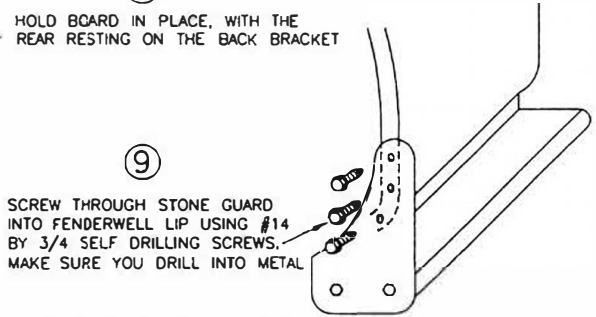


⑥ SLIDE ONE 1/4"x5/8"
SQUARE HEAD SCREW
INTO EACH TRACK.

⑦ INSTALL END CAP TO BOARD
WITH 3/8" SELF TAPPING BOLT



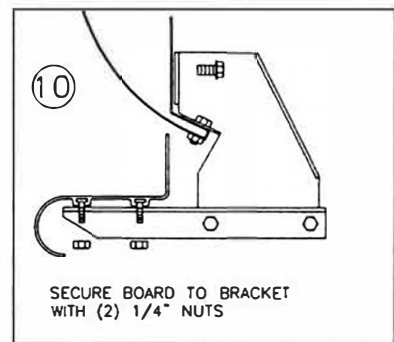
⑧ HOLD BOARD IN PLACE, WITH THE
REAR RESTING ON THE BACK BRACKET



⑨ SCREW THROUGH STONE GUARD
INTO FENDERWELL LIP USING #14
BY 3/4 SELF DRILLING SCREWS.
MAKE SURE YOU DRILL INTO METAL

3 PLACES AT EACH STONE GUARD

NOTE: BE SURE THAT 1/4" BOLTS ARE PLACED
INTO THE BRACKET STEP SUPPORT



⑪ WITH BOARD LEVEL TIGHTEN
ALL LOOSE BOLTS

⑫ REPEAT FOR OTHER SIDE