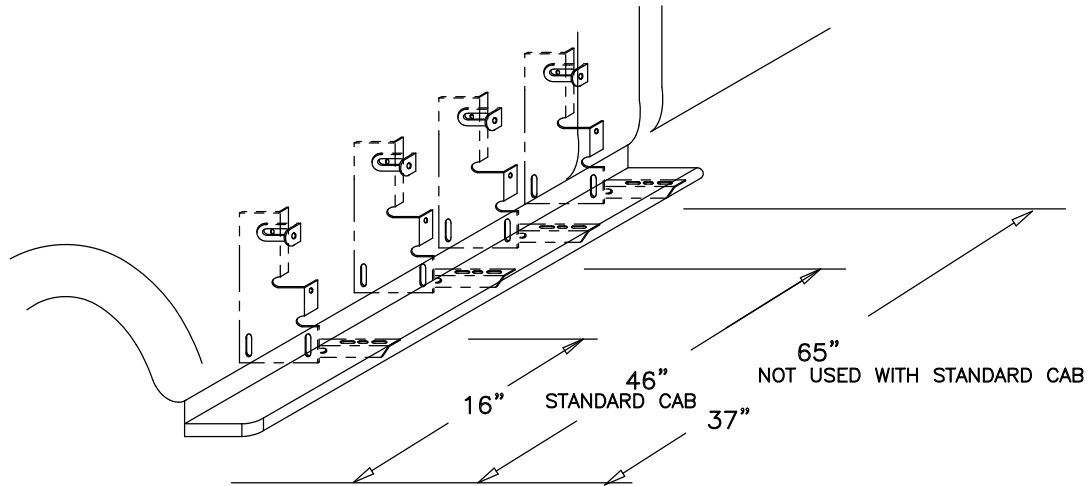


DRILLING INTO BODY AND FRAME IS REQUIRED.

TOOLS REQUIRED: 5/16" DRILL * 1/2" HEX SOCKET * 1/2" WRENCH * 5/16" NUT DRIVER * 3/8" NUT DRIVER

YOUR BRACKET MOUNT HOLES WILL NEED TO BE DRILLED INTO THE BODY

①

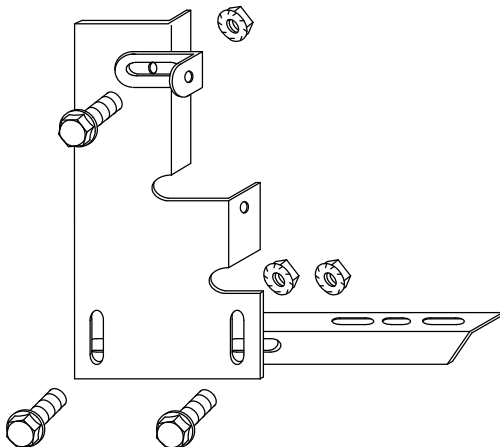


MEASURE FROM FRONT WHEEL WELL TO BRACKET LOCATION
MARK THIS DIMENSION ON THE PINCH WELD

(DRIVERS SIDE SHOWN)

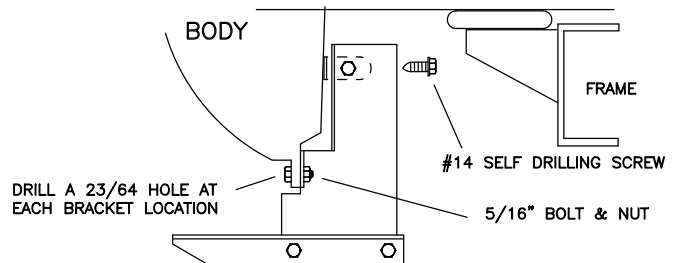
②

BRACKET ASSEMBLY
ASSEMBLE WITH 5/16" BOLTS & NUTS



③

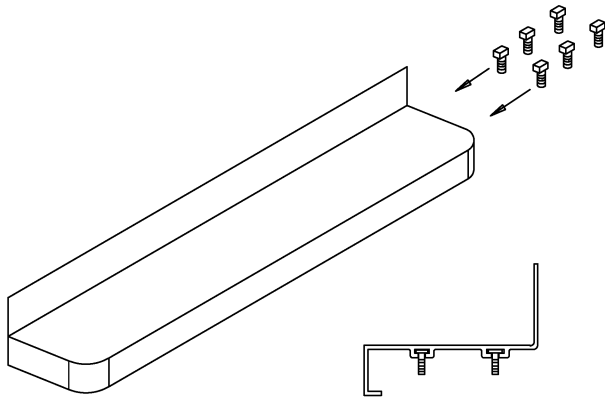
MOUNT BRACKET ASSEMBLY TO BODY
WITH 5/16" BOLT, NUT AND
#14 SELF DRILLING TEK SCREW



MOUNT AT LOCATION SHOWN AT ①

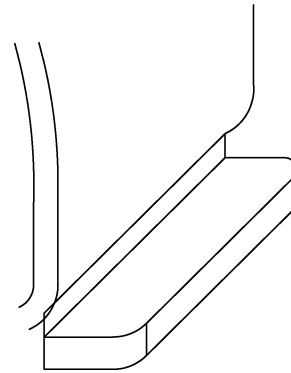
DRILLING INTO BODY AND FRAME IS REQUIRED.

④ ****ALUMINUM BOARDS ONLY**** FOR PLASTIC BOARDS GO TO STEP 7.



FOR EACH BRACKET
SLIDE ONE 1/4" X 5/8"
SQUARE HEAD SCREW
INTO EACH TRACK,

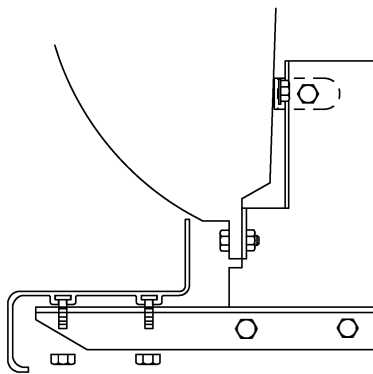
⑤



HOLD THE BOARD IN PLACE WITH IT RESTING ON THE BRACKETS.

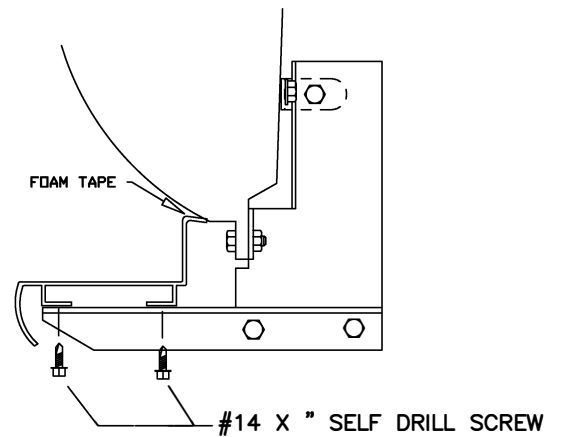
BE SURE THAT THE 1/4" BOLTS ARE PLACED INTO THE SLOTS IN THE BRACKET STEP SUPPORT

⑥



SECURE BOARD TO BRACKET WITH 1/4" NUTS

⑦



FOR PLASTIC BOARDS, APPLY FOAM TAPE AND STEP TREAD TO BOARD. ATTACH THE BOARD TO THE BRACKETS WITH SELF DRILLING SCREWS.

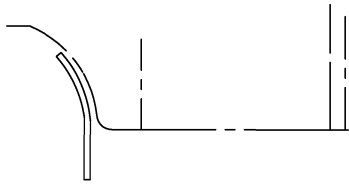
⑧

WITH BOARD LEVEL TIGHTEN ALL LOOSE BOLTS

REPEAT FOR OTHER SIDE

9

BEND STONE GUARD BY HAND AND KNEE TO FIT THE WHEEL WELL BEFORE INSTALLING TO RUNNING BOARD



12

INSTALL END CAP TO BOARD WITH 3/8" SELF TAPPING BOLT

11

SLIDE ONE 1/4"x5/8" SQUARE HEAD SCREW FOR EACH BRACKET INTO TRACK.

10

FASTEN FRONT STONE GUARD TO BOARDS WITH 3/8" SELF TAPPING BOLT. BEND STONE GUARD BY HAND AND KNEE TO FIT THE WHEEL WELL

ON PASSENGER SIDE USE THE INCLUDED STONE GUARD AND NOT AN END CAP.

13

HOLD BOARD IN PLACE, WITH THE REAR RESTING ON THE BACK BRACKET
%%NOTE:

BE SURE THAT 1/4" BOLTS ARE PLACED INTO THE BRACKET STEP SUPPORT

14

SCREW THROUGH STONE GUARD INTO FENDERWELL LIP USING #14 BY 3/4 SELF DRILLING SCREWS, MAKE SURE YOU DRILL INTO METAL

3 PLACES AT EACH STONE GUARD

15

SECURE BOARD TO BRACKET WITH 1/4" NUTS

16

WITH BOARD LEVEL TIGHTEN ALL LOOSE BOLTS

17

REPEAT FOR OTHER SIDE