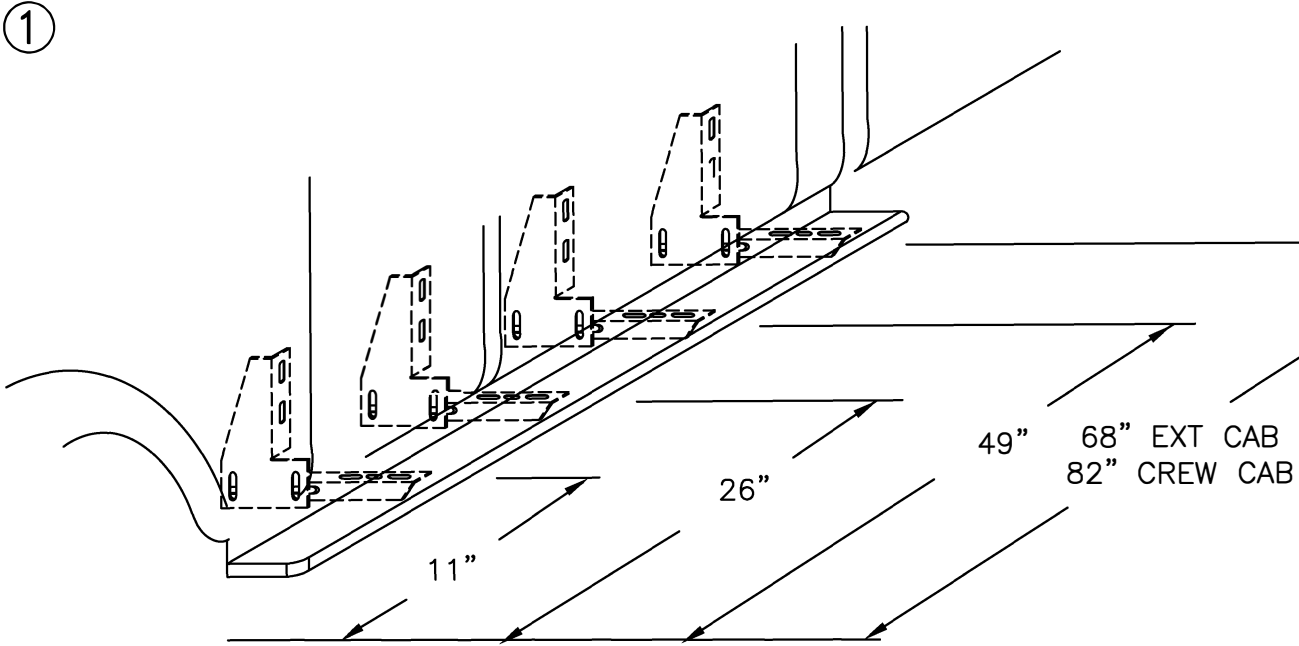
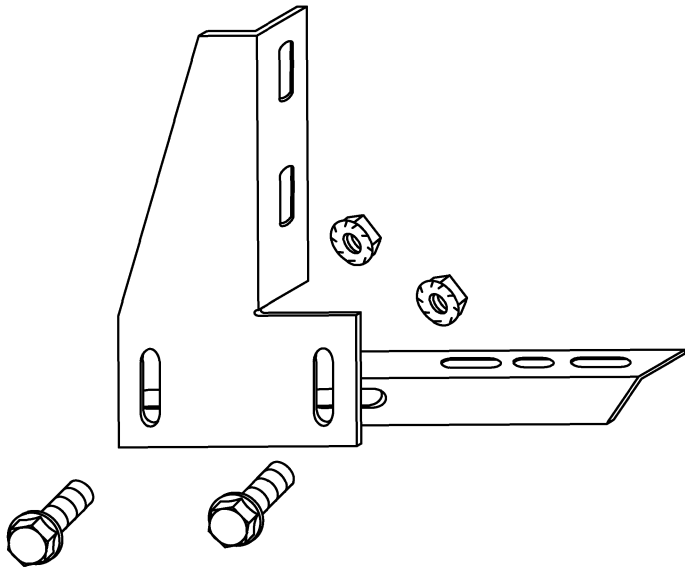


TOOLS REQUIRED: 5/16" DRILL * 1/2" HEX SOCKET * 1/2" WRENCH * 5/16" NUT DRIVER * 3/8" NUT DRIVER

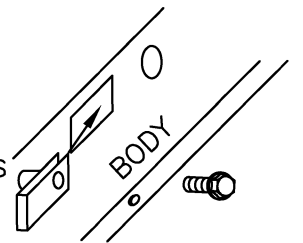


(DRIVERS SIDE SHOWN)
MEASURE FROM FRONT WHEEL WELL TO DIMENSIONS SHOWN
THERE ARE FACTORY HOLES AT OR VERY CLOSE TO THESE LOCATIONS

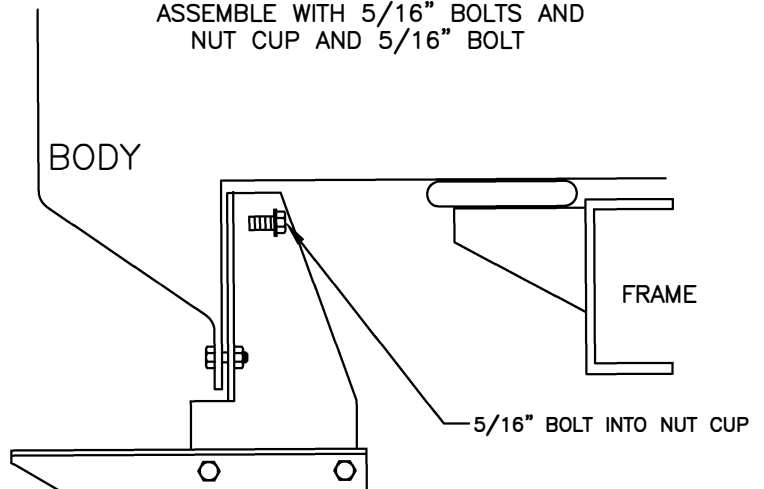
②
BRACKET ASSEMBLY
ASSEMBLE WITH 5/16" BOLTS



③
SLIDE NUT CUP INTO BODY
HOLES AT BRACKET LOCATIONS

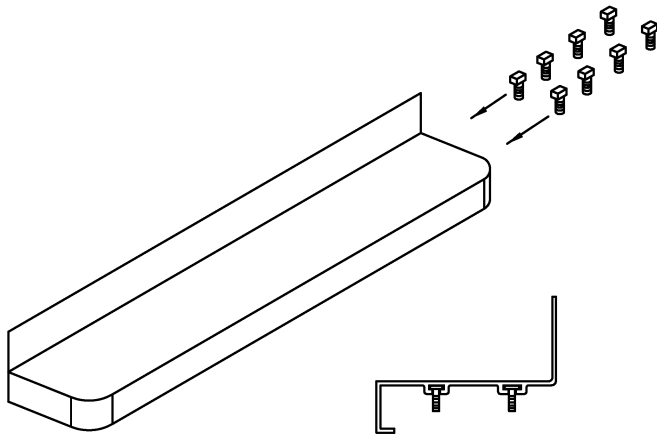


ASSEMBLE WITH 5/16" BOLTS AND
NUT CUP AND 5/16" BOLT



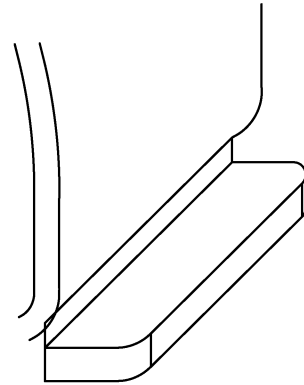
BOARDS WITHOUT STONEGUARDS

④ PROCEED TO STEP 9 IF PLASTIC BOARDS ARE TO BE INSTALLED.



SLIDE ONE 1/4" X 5/8" SQUARE HEAD SCREWS INTO EACH TRACK FOR EACH BRACKET.

⑤

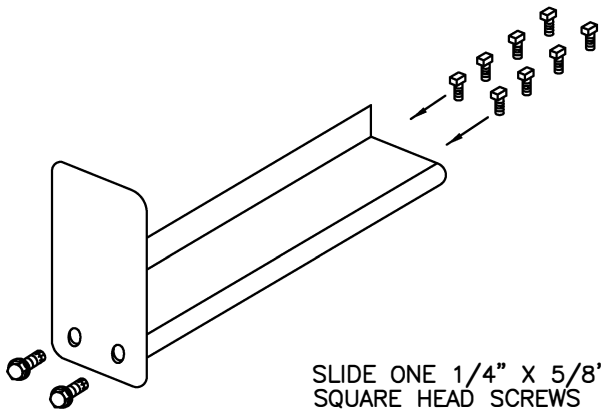


HOLD THE BOARD IN PLACE WITH IT RESTING ON THE BRACKETS.

BE SURE THAT THE 1/4" BOLTS ARE PLACED INTO THE SLOTS IN THE BRACKET STEP SUPPORT

BOARDS WITH STONEGUARDS

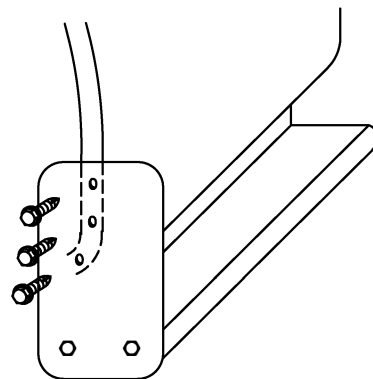
⑥ ATTACH STONE GUARD TO BOARD WITH 3/8" SELF TAPPING BOLT.



SLIDE ONE 1/4" X 5/8" SQUARE HEAD SCREWS INTO EACH TRACK FOR EACH BRACKET.

⑦

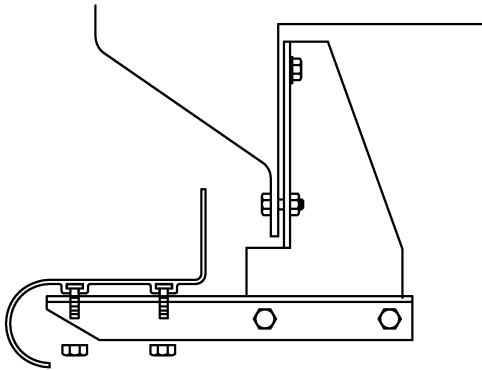
LEVEL THE BOARD ON THE BRACKETS



SCREW THROUGH STONE GUARD INTO FENDERWELL LIP USING #14 BY 3/4 SELF DRILLING SCREWS, MAKE SURE YOU DRILL INTO METAL

YOUR BRACKETS INSTALL IN FACTORY HOLES

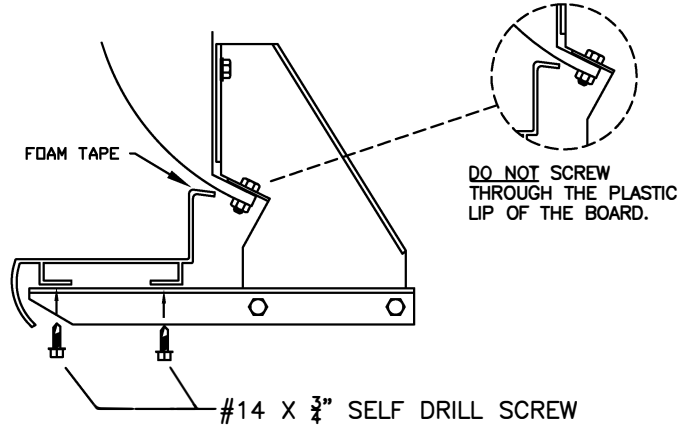
8



SECURE BOARD TO BRACKET
WITH 1/4" NUTS

9

FOR PLASTIC BOARDS, APPLY FOAM TAPE AND STEP TREAD TO BOARD.
ATTACH THE BOARD TO THE BRACKETS
WITH SELF DRILLING SCREWS.



10

WITH BOARD LEVEL, TIGHTEN
ANY LOOSE BOLTS

11

REPEAT FOR OPPOSITE SIDE