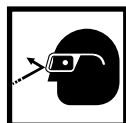

Ball Joint Service Set



	Page
Safety Precautions	2
Parts List	3
Applications :	
Chrysler / Dodge Pickups	4
Jeep	6
Application Chart	8

Safety Precautions



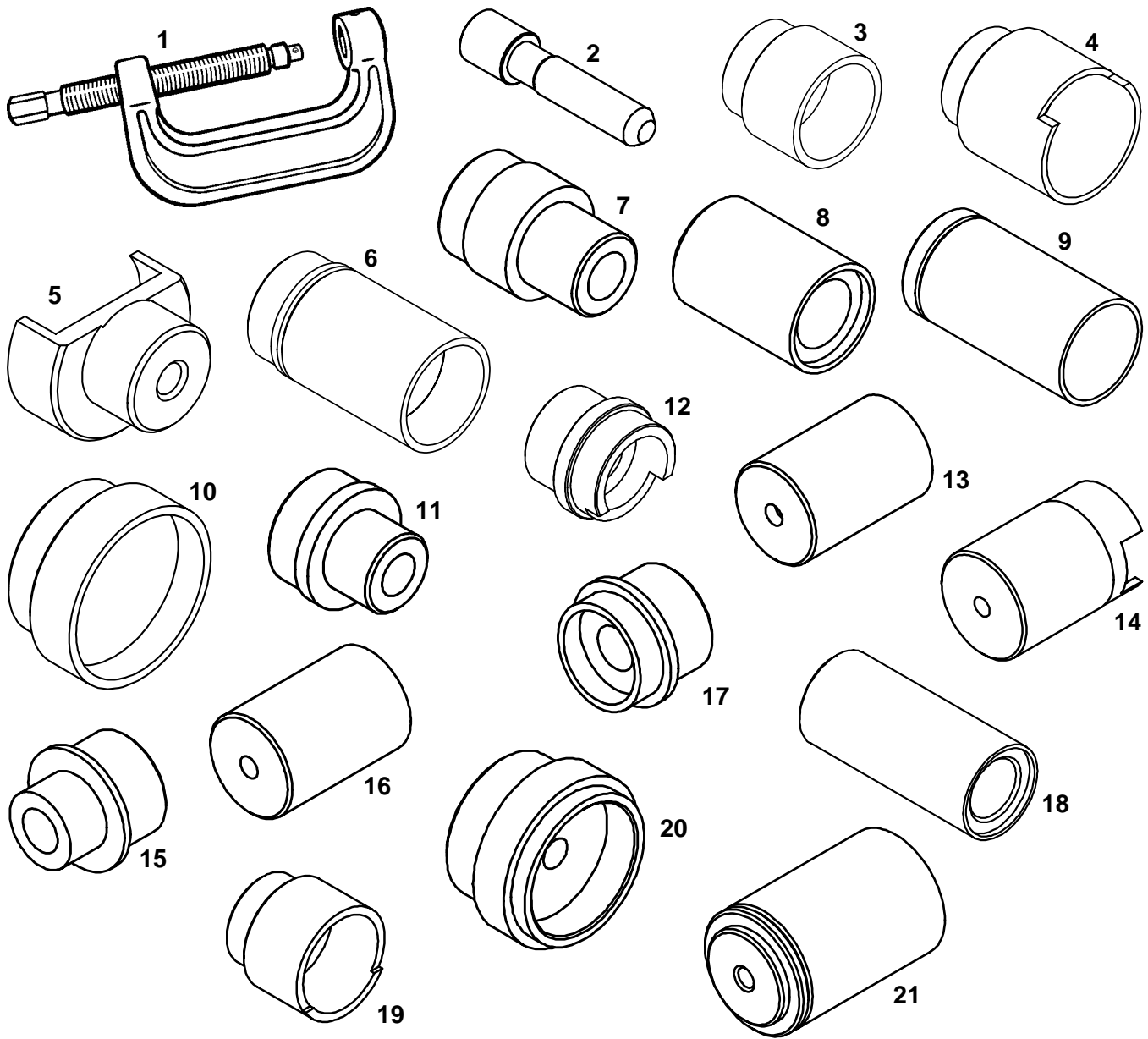
Safety Precautions



CAUTION : To prevent personal injury when using these tools,

- Wear eye protection that meets ANSI Z87.1 and OSHA standards.
- Before performing repairs on a vehicle, block the vehicle wheels to prevent movement of the vehicle.
- Check the final alignment of tooling and components before using the C-frame to exert pressure.

Parts List



Item No.	Part No.	No. Req'd	Description
1	521808	1	C-Frame Press (consists of 311938 plug; 10273 o-ring; 14472 steel ball; 37703 forcing screw; 521808-1 C-frame.
2	29501	1	Plug
3	521789	1	Installer
4	521790	1	Receiver Cup / Remover
5	521791	1	Remover / Installer
6	521792	1	Installer Cup
7	521793	1	Remover
8	521794	1	Installer
9	521795	1	Remover Cup
10	521796	1	Receiver Cup

Item No.	Part No.	No. Req'd	Description
11	521797	1	Remover
12	521798	1	Receiver
13	521799	1	Installer
14	521800	1	Remover / Installer
15	521801	1	Remover / Installer
16	521802	1	Remover / Installer
17	521803	1	Remover / Installer
18	521804	1	Receiver
19	521805	1	Receiver
20	521806	1	Installer
21	521807	1	Receiver Cup
22	522074	1	Inside Lid Decal
	521718	1	Storage Case (<i>not shown</i>)

Dodge Pickup

*Application : Lower ball joint on 2002–04 Dodge 1/2-ton, 3/4-ton 2WD pickup;
2002–04 Dodge 1/2-ton 4WD pickup.*

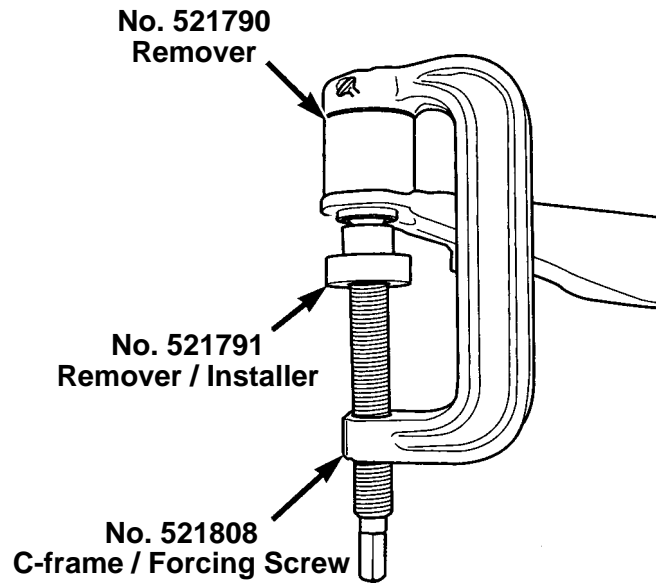
Removal / Installation

Note : The upper ball joint is not serviceable. The upper control arm assembly must be replaced.

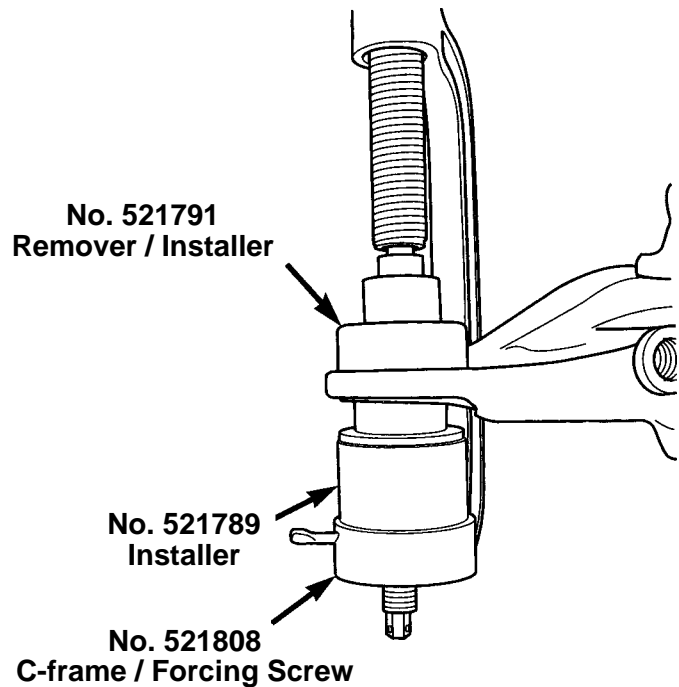
1. If applicable, remove the snap ring from the control arm or ball joint.
2. Position the tools as shown to remove or install the lower ball joint.

During installation, clean the control arm, and coat the I.D. with a suitable lubricant.

3. Tighten the forcing screw until it meets the cup, and check the alignment of all tooling and components.
4. Continue tightening the forcing screw until the ball joint is removed or installed.
5. After installation, if applicable, install the snap ring on the control arm or ball joint.



Removal



Installation

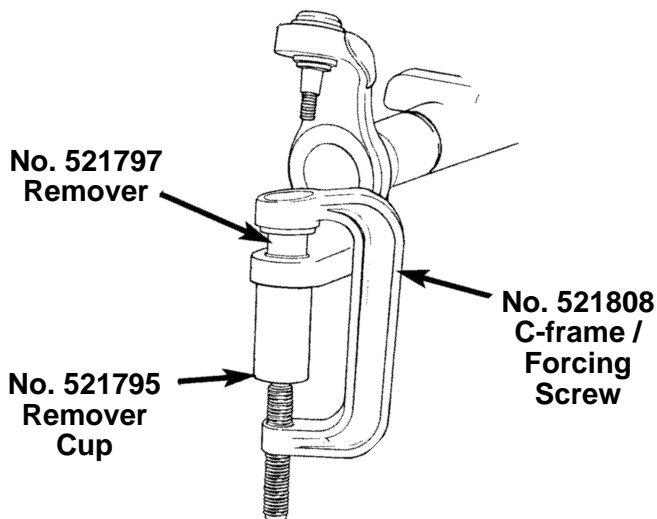
Dodge Pickup

*Application : Lower and upper ball joints on 2000–04 Dodge 3/4-ton, 1-ton 2WD pickup;
2000–04 Dodge 3/4-ton, 1-ton 4WD pickup.*

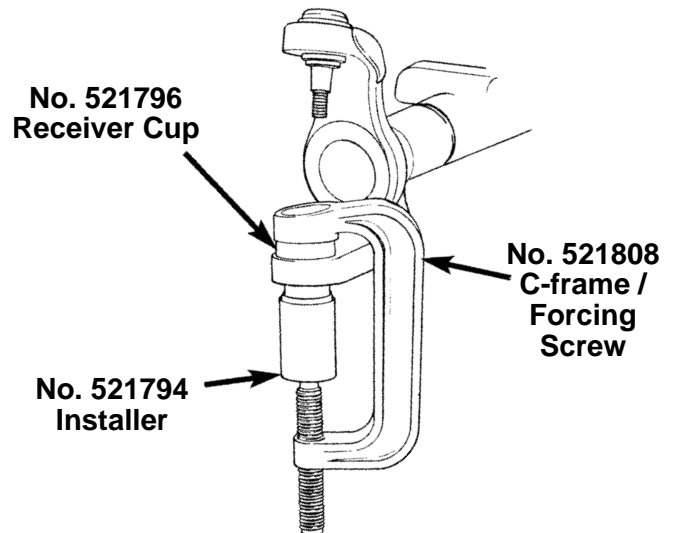
Removal / Installation

1. If applicable, remove the snap ring from the control arm or ball joint.
2. Position the tools as shown to remove or install the lower or upper ball joint.
During installation, clean the control arm, and coat the I.D. with a suitable lubricant.
3. Tighten the forcing screw until it meets the cup, and check the alignment of all tooling and components.
4. Continue tightening the forcing screw until the ball joint is removed or installed.
5. After installation, if applicable, install the snap ring on the control arm or ball joint.

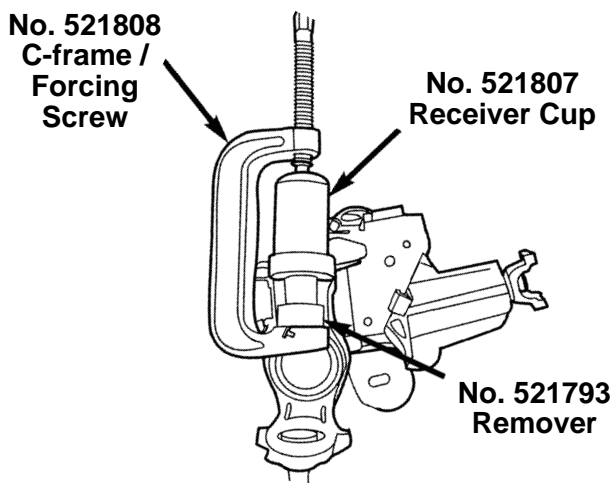
Lower Ball Joint Removal



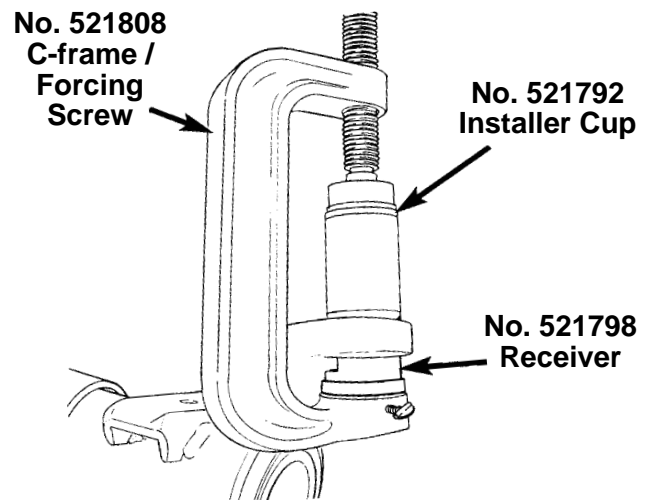
Lower Ball Joint Installation



Upper Ball Joint Removal



Upper Ball Joint Installation

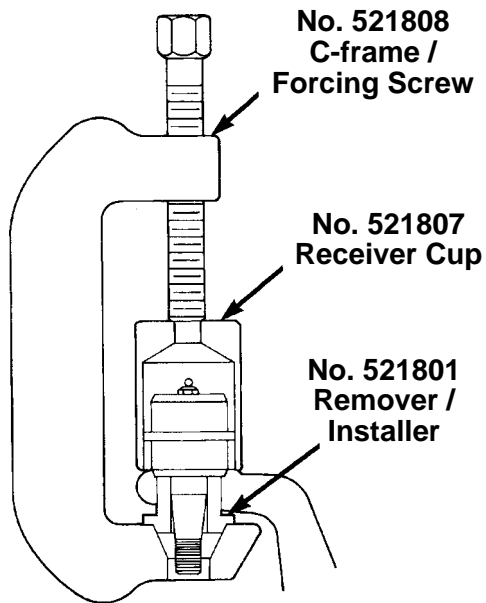


Application : Lower and upper ball joints on 1993–04 Grand Cherokee; 1984–01 Cherokee; 1987–98 Wrangler; 1985–90 Wagoneer, 1986–92 Comanche

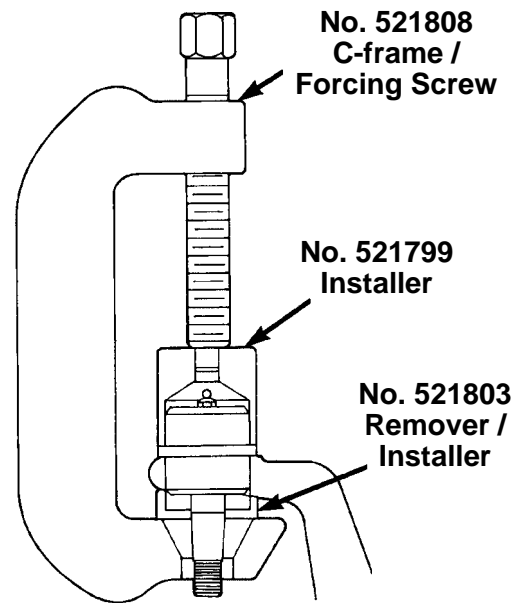
Removal / Installation

1. If applicable, remove the snap ring from the control arm or ball joint.
2. Position the tools as shown to remove or install the upper or lower ball joint.
During installation, clean the control arm, and coat the I.D. with a suitable lubricant.
3. Tighten the forcing screw until it meets the cup, and check the alignment of all tooling and components.
4. Continue tightening the forcing screw until the ball joint is removed or installed.
5. After installation, if applicable, install the snap ring on the control arm or ball joint.

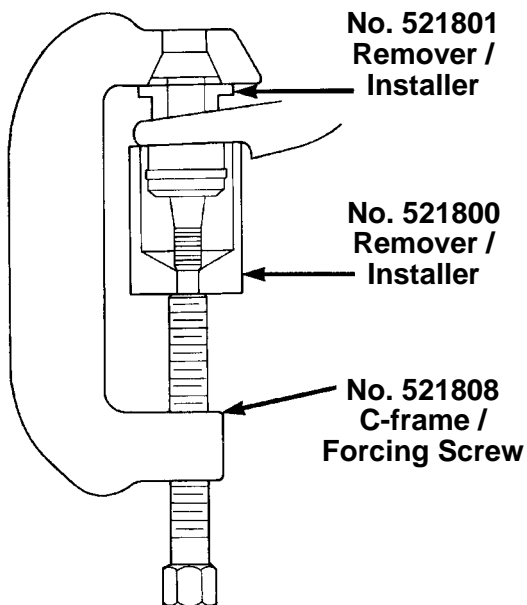
Upper Ball Joint Removal



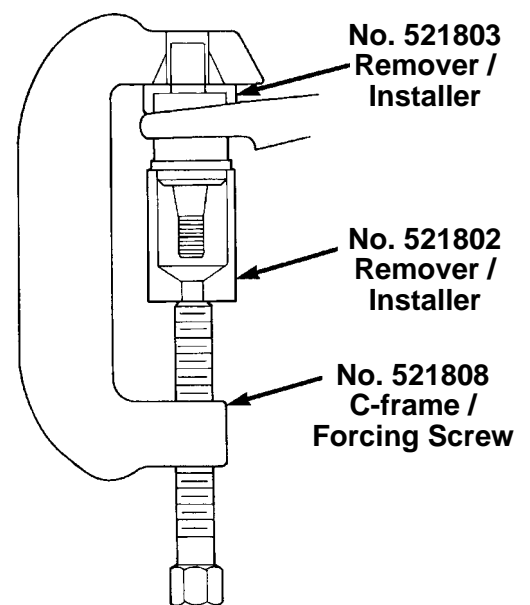
Upper Ball Joint Installation



Lower Ball Joint Removal



Lower Ball Joint Installation



Application : Lower ball joints on 2002–04 Jeep Liberty

Removal / Installation

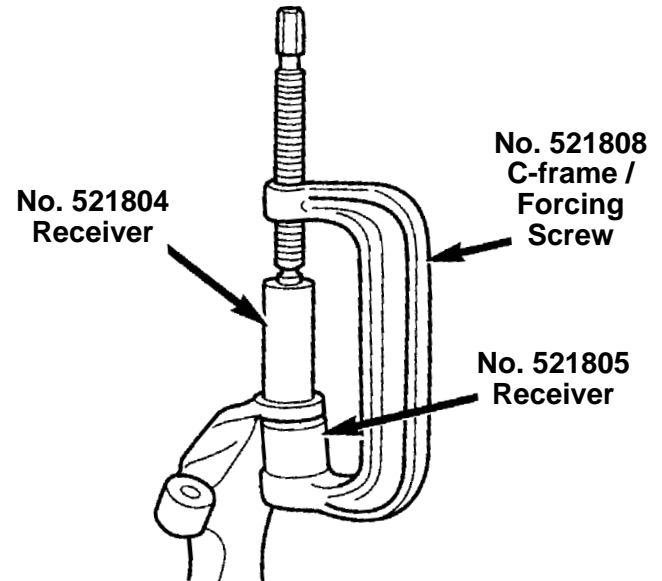
Note : The upper ball joint is not serviceable. The upper control arm assembly must be replaced.

1. If applicable, remove the snap ring from the control arm or ball joint.
2. Position the tools as shown to remove or install the lower ball joint.

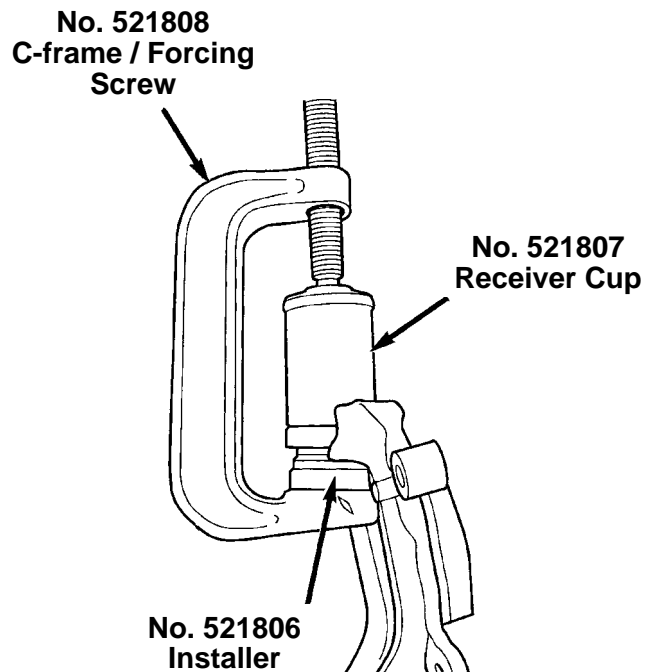
During installation, clean the control arm, and coat the I.D. with a suitable lubricant.

3. Tighten the forcing screw until it meets the cup, and check the alignment of all tooling and components.
4. Continue tightening the forcing screw until the ball joint is removed or installed.
5. After installation, if applicable, install the snap ring on the control arm or ball joint.

Lower Ball Joint Removal



Lower Ball Joint Installation



Application Chart

Upper or lower ball joint	Application R = Remove I = Install	521789	521790	521791	521792	521793	521794	521795	521796	521797	521798	521799	521800	521801	521802	521803	521804	521805	521806	521807
CHRYSLER / DODGE																				
Lower	2002-04 1/2-, 3/4-ton 2WD pickup 2002-04 1/2-ton 4WD pickup	I	R	RI																
Upper	2000-04 3/4-, 1-ton 4WD pickup 2000-04 1-ton 2WD pickup				I	R					I									R
Lower	2000-04 3/4-, 1-ton 4WD pickup 2000-04 1-ton 2WD pickup						I	R	I	R										
JEEP																				
Upper	1984-01 Cherokee 1986-92 Comanche 1993-04 Grand Cherokee 1985-90 Wagoneer 1987-98 Wrangler											I		R		I				R
Lower	1984-01 Cherokee 1986-92 Comanche 1993-04 Grand Cherokee 1985-90 Wagoneer 1987-98 Wrangler												R	R	I	I				
Lower	2002-04 Liberty																R	R	I	I