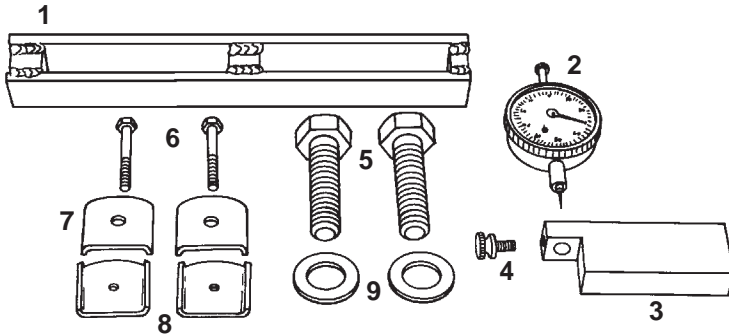


**Parts List &
Operating Instructions**
for:

7106

Cylinder Liner Height Gauge *(with hold-down bar)*

Parts List



Item No.	Part No.	No. Req'd	Description
1	39431	1	Hold-down Bar
2	205655	1	Dial Indicator
3	39432	1	Gauge Bar
4	205715	1	Thumb Screw
5	205702	2	Hex Hd. Cap Screws (11/16-16 UN-2A)
6	10024	2	Hex Hd. Cap Screws (1/4-20 x 1-3/4 Lg.)
7	205653	2	Drilled Spacers
8	205652	2	Tapped Spacers
9	24826	4	Washers

Operating Instructions

- Center the hold-down bar over the liner. See Figure 1.
- Tighten bolts evenly. (Item #5 cap screws are supplied for Cummins applications.)
CAUTION: To prevent equipment damage, do NOT exceed 50 ft. lbs.

Note: On Detroit engines where the liner is beneath the block surface, adjust the two spacers to the correct bore diameter before bolting the hold-down bar to the block surface. See Figure 2.

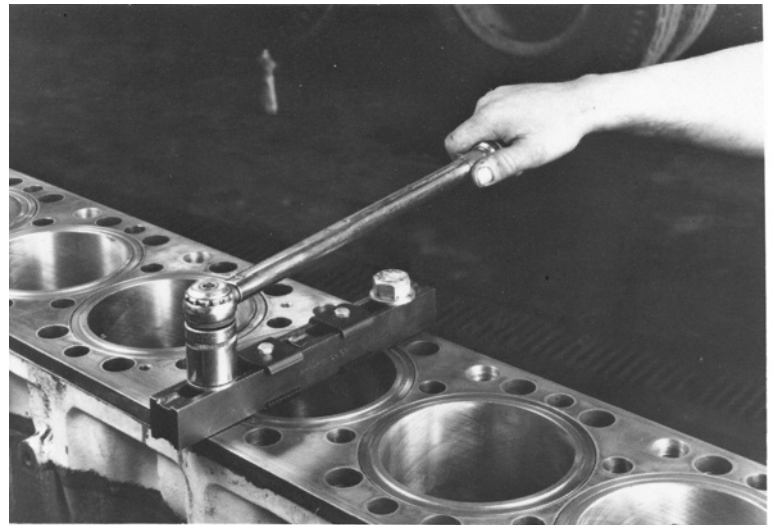


Figure 1

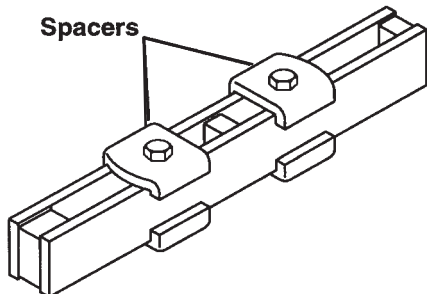


Figure 2

Parts List & Operating Instructions

3. Place the gauge bar on the cylinder block, and dial the block surface to zero on the indicator. See Figure 3.



Figure 3

4. Move the gauge block to the liner, and measure the protrusion at four equidistant points. See Figure 4.
5. Refer to the manufacturer's specification for correct liner protrusion.

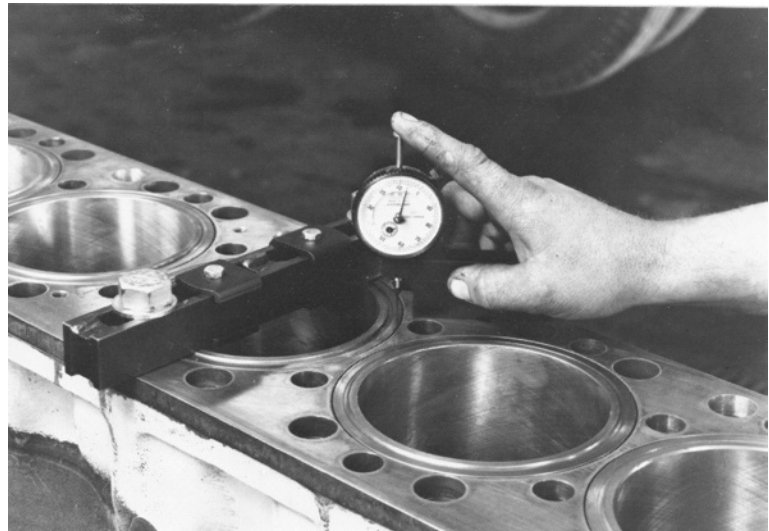


Figure 4