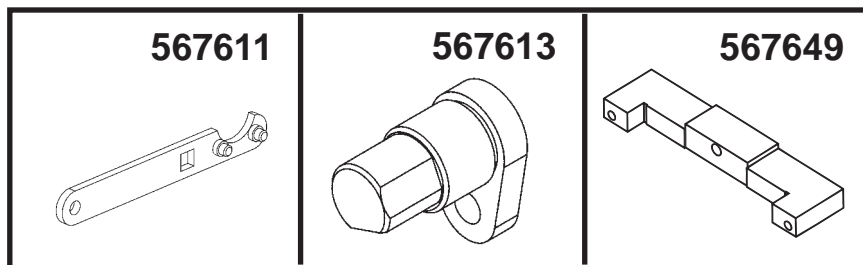


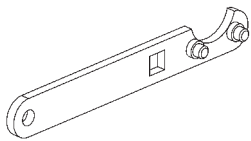
Parts List & Operating Instructions for No. 6680 Ford 3.9L Engine Cam Tool Kit



Ford Tool Application Chart						
Year	Model	Engine	Tool Description	Part No.	Ford American Part No.	Ford Global Part No.
2000-2006	LS	3.9L	Timing Chain Tensioner Assembly	567611		303-1532
			Crankshaft Alignment Tool	567613		303-645A
			Camshaft Holding Tool	567649		303-530
2002-2005	Thunderbird	3.9L	Timing Chain Tensioner Assembly	567611		303-532
			Crankshaft Alignment Tool	567613		303-645A
			Camshaft Holding Tool	567649		303-530

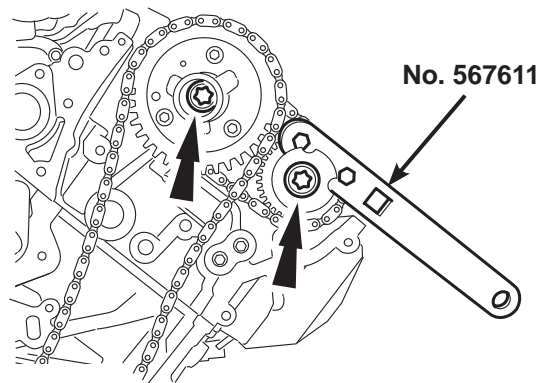
567611 Ford Timing Chain Tensioner Tool

Application: 2000 – 2006 3.9L LS
2002 – 2005 3.9L Thunderbird



NOTE: The 567611 is to be used with 567649 Camshaft Locking Tool. The exhaust camshaft sprocket bolt must be fully tightened before tightening the intake camshaft sprocket bolt.

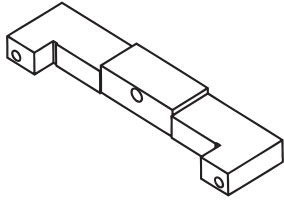
1. Install the 567611 Timing Chain Tensioner Tool onto the exhaust camshaft sprocket and apply tension to the camshaft sprocket.
2. Tighten the intake camshaft sprocket bolts as described in vehicle service manual.



! WARNING: Wear eye protection that meets ANSI Z87.1 and OSHA standards.

567649 Ford Camshaft Holding Tool

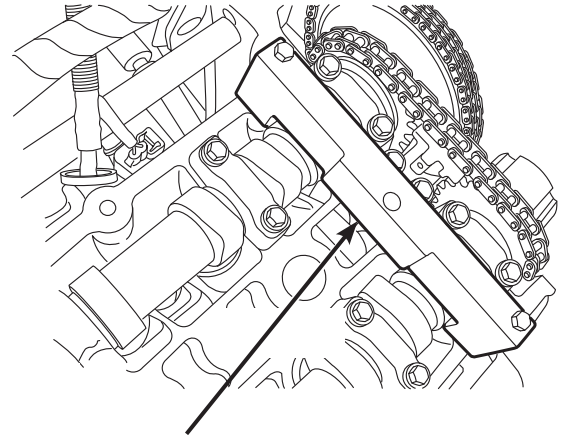
Application: 2000 – 2006 3.9L Lincoln LS
2002 – 2005 3.9L Thunderbird



1. Make sure the holes on the camshaft flats are facing upward.
2. Install 567649 Camshaft Holding Tool.
3. Perform camshaft service as required according to instructions in vehicle service manual.
4. Remove the 567649 from the cylinder head.
5. Torque fasteners to factory specifications.



WARNING: Wear eye protection that meets ANSI Z87.1 and OSHA standards.



No. 567649