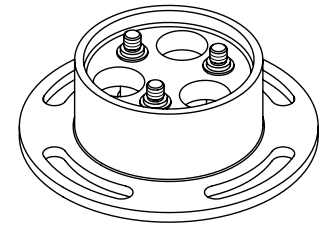


# GM Water Pump Sprocket Holding Tool



This tool supports the water pump sprocket and chain during water pump service, eliminating the need to time the balance shaft.

## Applications

### 2.0L 4 CYL

2006-2010 Chev Cobalt  
 2008-2010 Chev HHR  
 2010-2014 Buick Regal  
 2011-2014 Buick Verano  
 2013-2014 Cadillac ATS  
 2014 Cadillac CTS  
 2009 Pontiac Solstice  
 2006-2007 Pontiac Pursuit  
 2008-2010 Saturn Sky

### 2.2L 4 CYL

2006-2010 Chev Cobalt  
 2006-2010 Chev HHR  
 2003-2008 Chev Malibu  
 2002-2005 Chev Cavalier  
 2002-2004 Olds Alero  
 2002-2005 Pontiac Sunfire,  
 Grand AM  
 2007-2009 Pontiac G5  
 2002-2007 Saturn Vue  
 2003-2007 Saturn Ion  
 2000-2005 Saturn L Series

### 2.4L 4 CYL

2005-2008 Chev Cobalt  
 2008-2014 Chev Malibu  
 2005-2011 Chev HHR  
 2010-2013 Chev Equinox  
 2012-2014 Chev Captiva  
 2012-2013 Buick Verano  
 2011-2014 Buick Regal  
 2010 Buick Allure  
 2010-2014 GMC Terrain  
 2006-2009 Pontiac G6  
 2006-2009 Pontiac Solstice  
 2007-2009 Pontiac Vibe  
 2007-2008 Pontiac G5  
 2006 Pontiac Pursuit

1. Remove the water pump sprocket access plate from the timing cover. See Figure 1.
  2. Install the GM Water Pump Sprocket Holding Tool to the water pump sprocket as shown in Figure 2.
  3. Tighten the bolts on the tool into the threaded holes in the water pump sprocket.
  4. Align the slots in the tool with the access plate bolt holes in the timing cover.
  5. Use the access plate bolts to secure the tool to the engine front cover.
  6. Remove the three inner water pump sprocket bolts that secure the sprocket to the water pump.
- The water pump may now be serviced.

Access Plate to  
Water Pump Sprocket

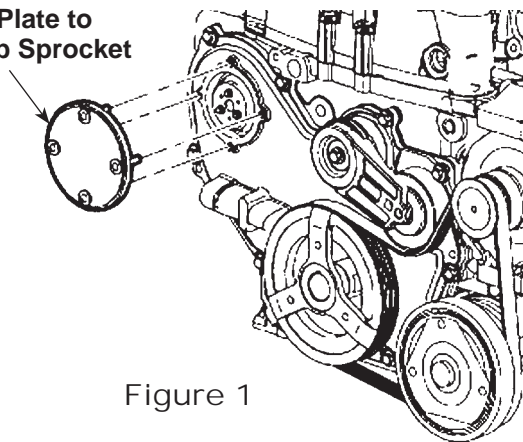


Figure 1

GM Water Pump  
Sprocket  
Holding Tool

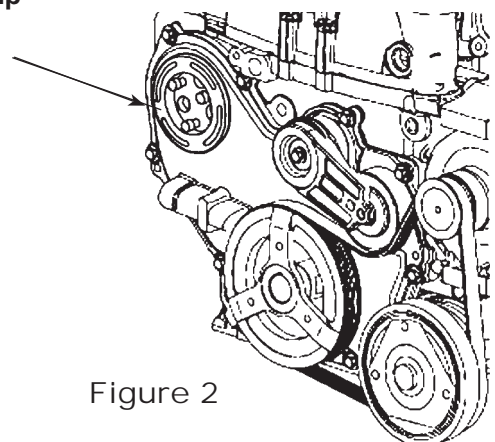


Figure 2



**CAUTION:** To prevent personal injury, wear eye protection that meets ANSI Z87.1 and OSHA standards.