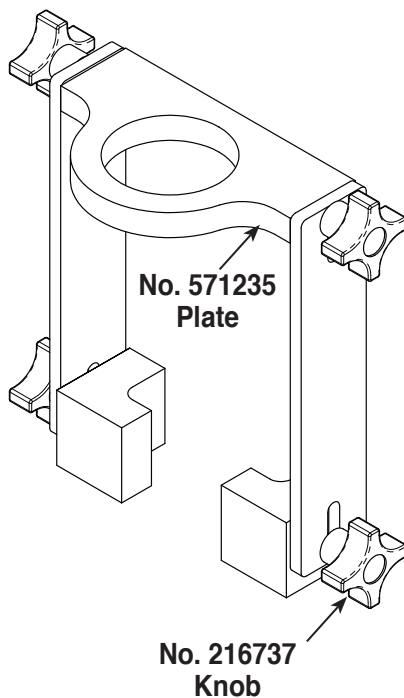


Parts List &
Operating Instructions for: 6576
6577
6576S

Dodge

Hub and Bearing Service Tools

No. 6576 Hub Pressing Tool



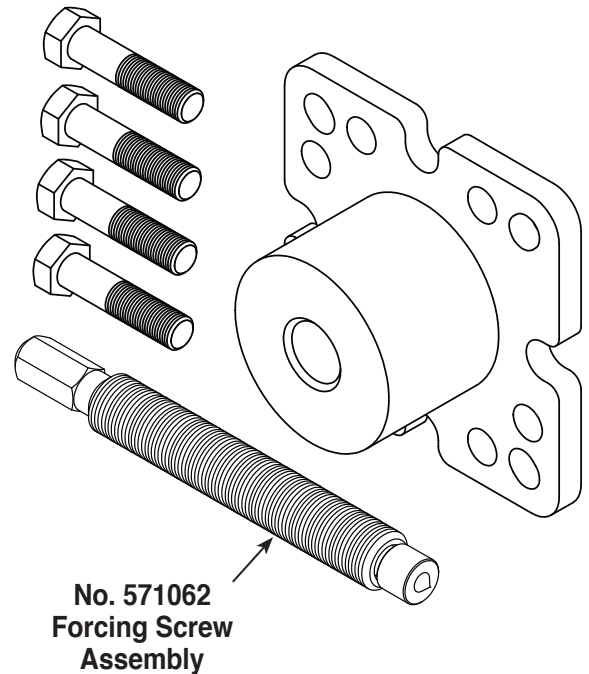
Description:

No. 6576 Hub Pressing Tool is designed to work with the vehicle's steering to push out the spindle and hub assembly without causing damage to the bearing.

No. 6577 Bearing Housing Puller is used when the Hub Pressing Tool is unable to push out the hub.

No. 6577 Bearing Housing Puller

Maximum Capacity: 20 Tons (18.14 kg)





No. 6577 Bearing Housing Puller Applications


Dodge	1994 – 2013	3/4- and 1-Ton Ram Trucks
Ford	1988 – 2013	3/4- and 1-Ton Trucks, Excursion
GM	1988 – 2013	1/2-Ton Trucks, Yukon, Tahoe, Suburban
GM	1988 – 2013	3/4- and 1-Ton Trucks, Suburban

Explanation of Safety Signal Words

The safety signal word designates the degree or level of hazard seriousness.

 **DANGER:** Indicates an imminently hazardous situation which, if not avoided, will result in death or serious injury.

 **WARNING:** Indicates a potentially hazardous situation which, if not avoided, could result in death or serious injury.

 **CAUTION:** Indicates a potentially hazardous situation which, if not avoided, may result in minor or moderate injury.

CAUTION: Used without the safety alert symbol indicates a potentially hazardous situation which, if not avoided, may result in property damage.

Safety Precautions

 **CAUTION:** To prevent personal injury and / or property damage,



- Study, understand, and follow all safety precautions and operating instructions before using this tool. If the operator cannot read instructions, operating instructions and safety precautions must be read and discussed in the operator's native language.



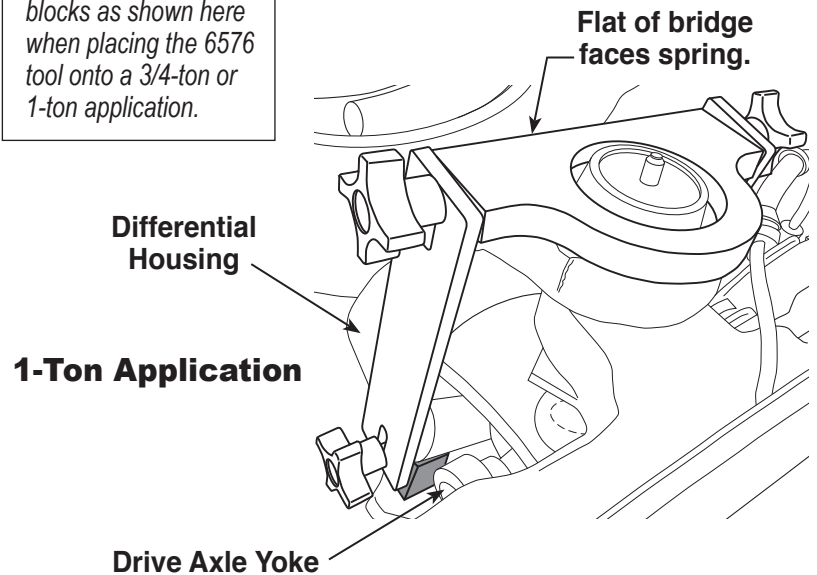
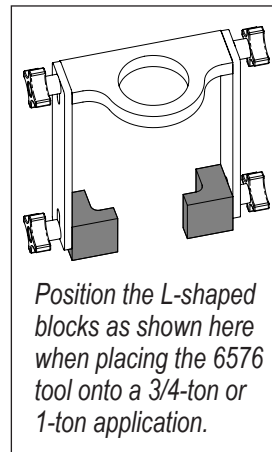
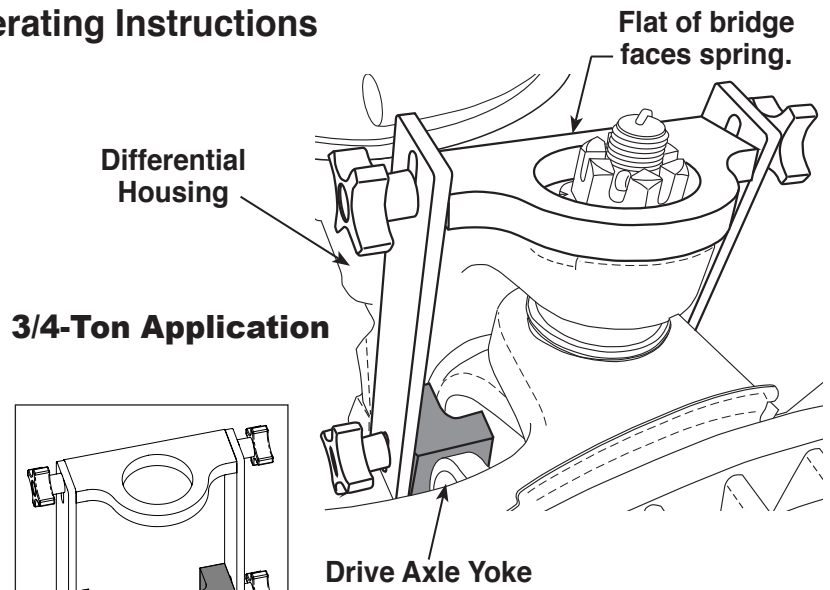
- Wear eye protection that meets ANSI Z87.1 and OSHA standards.
- Do not exceed the 20-ton rated capacity of No. 6577 Bearing Housing Puller.
- Check the final alignment of tooling and components before exerting pressure.

- No alteration shall be made to this product.
- Inspect the condition of the tool before each use; do not use if damaged, altered, or in poor condition.
- Use only those repair parts called out in this document; these items have been carefully tested and selected by OTC.

No. 6576 Hub Pressing Tool Operating Instructions

No. 6576 Hub Pressing Tool is designed to work with the vehicle's steering to push out the spindle / hub assembly without damaging the wheel bearing.

1. Follow instructions in the vehicle service manual to prepare to remove the wheel bearing. If the vehicle is equipped with ABS, disconnect the ABS harness.
2. Remove the spindle nut and the four wheel bearing retaining bolts.
3. Position the Hub Pressing Tool over the top ball joint as shown. The flat of the bridge should face the coil spring, and the L-shaped blocks fit between the drive axle yoke and the differential housing. The thick part of the L-shaped block faces the wheel bearing. *Note: The blocks will need to be adjusted depending upon which side of the truck is being worked on.*
4. Loosen the knobs on the tool to move the legs up or down as needed to fit the application.
5. Turn the drive axle assembly to align the yoke centered on the L-shaped blocks.
6. Hand tighten the knobs.
7. Start the vehicle.
8. Turn the steering wheel side-to-side to apply pressure to the hub assembly and move the bearing out of the housing.
9. Perform repairs on the vehicle according to the instructions in the vehicle service manual.



No. 6577 Bearing Housing Puller

Max. Capacity: 20 Tons (18.14 kg)

Operating Instructions

No. 6577 Bearing Housing Puller is used when the Hub Pressing Tool is unable to push out the hub.

CAUTION: The following procedure puts all the pressure on the wheel bearing. It will be necessary to install a new wheel bearing.

1. Follow instructions in the vehicle service manual to prepare to remove the wheel bearing. If the vehicle is equipped with ABS, disconnect the ABS harness.
2. Remove the spindle nut and the four wheel bearing retaining bolts.
3. Align the bolt holes in the puller with the lug studs on the hub assembly as shown in Figure 1. Reinstall the four lug nuts to hold the puller on the wheel hub.
4. Use an impact wrench on the forcing screw to pull the bearing. *Note: If the impact wrench stalls, remove the wrench and hit the end of the forcing screw with a hammer; then continue using the impact wrench.*
5. If the bearing assembly was removed as one piece, perform any repairs on the vehicle according to the instructions in the vehicle service manual.

If the bearing was only separated in the previous steps, and the wheel bearing housing remains in the steering knuckle, use the following procedure:

1. Remove the puller from the hub. See Figure 2.
2. Back the forcing screw out of the puller.
3. Use the four bolts (provided) to attach the puller to the wheel bearing housing. See Figure 3.
4. Use an impact wrench on the forcing screw to pull the wheel bearing housing from the spindle.

Inspection and Maintenance

CAUTION: To prevent personal injury, use only those repair parts shown in this document. Repair parts have been carefully tested and selected by OTC.

Maintenance

Frequently lubricate the forcing screw from hex to tip.

Disposal

At the end of the useful life of the tools, dispose of the tools according to all state, federal, and local regulations.

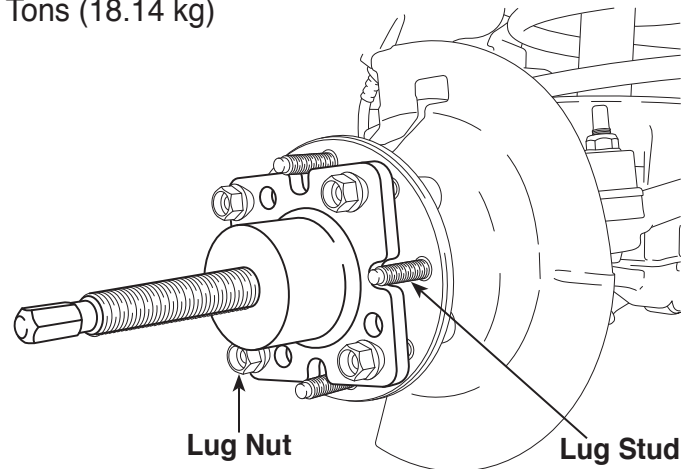


Figure 1

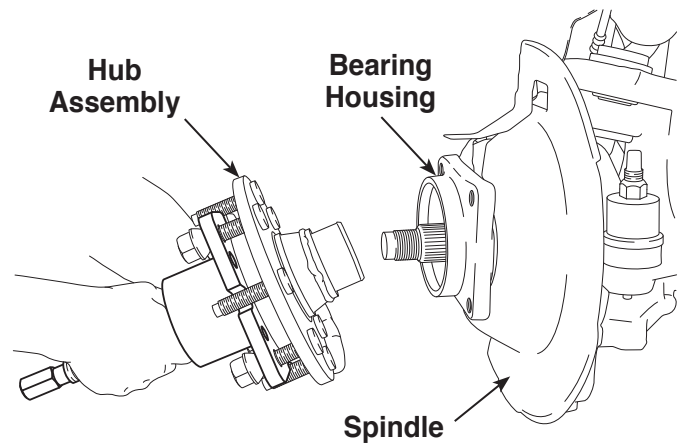


Figure 2

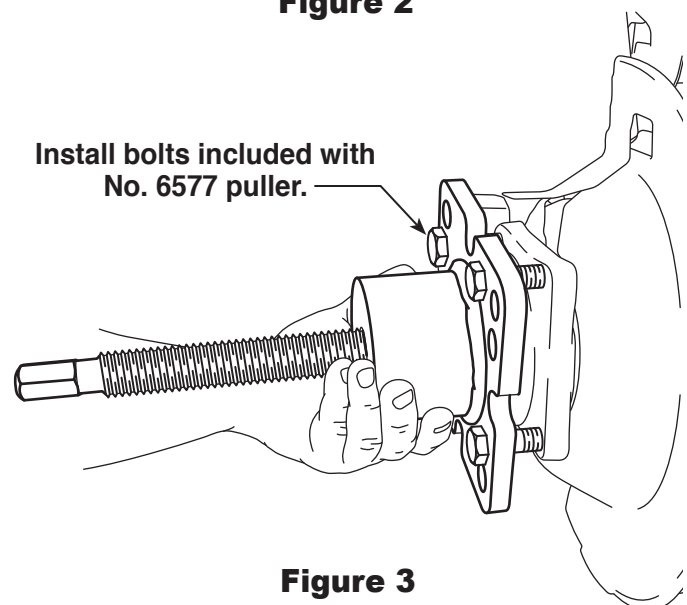


Figure 3