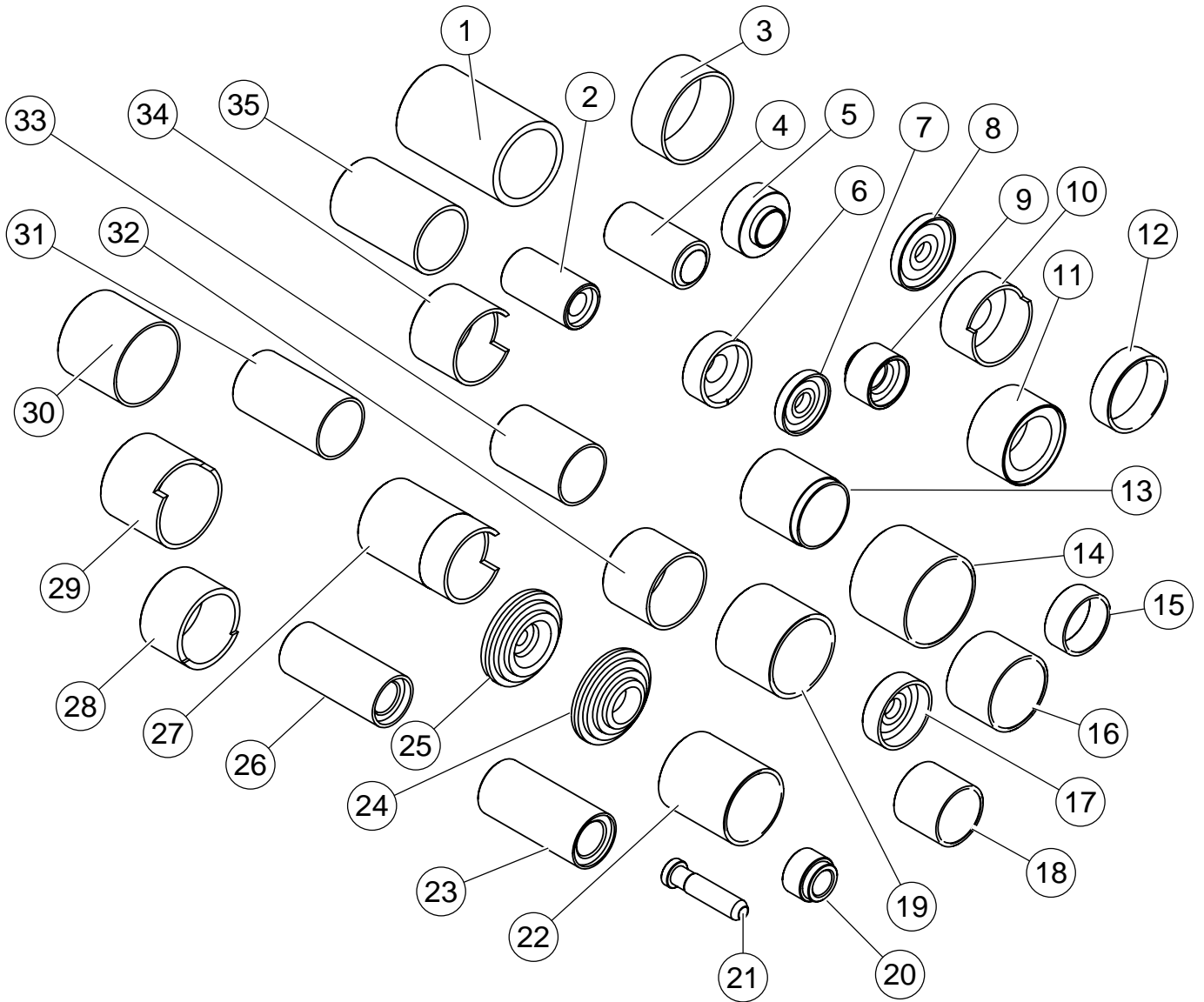


Chrysler Truck Ball Joint Adapter Kit

Legend is on next page.



Chrysler Truck Ball Joint Adapter Kit Legend

Item No.	Part No.	Description	Item No.	Part No.	Description	Item No.	Part No.	Description
1	555570	Adapter	13	38354	Adapter	25	305228	Adapter
2	538590	Adapter	14	29503	Adapter	26	555610	Adapter
3	555532	Adapter	15	554422	Adapter	27	313967	Adapter
4	538591	Adapter	16	29504	Adapter	28	555612	Adapter
5	555376	Adapter	17	204508A	Adapter	29	555613	Adapter
6	313970	Adapter	18	29505	Adapter	30	555614	Adapter
7	554414	Adapter	19	222307	Adapter	31	38355A	Adapter
8	555380	Adapter	20	313968	Adapter	32	39976	Adapter
9	554415	Adapter	21	314392	Adapter	33	313969	Adapter
10	555377	Adapter	22	222305	Adapter	34	531739	Adapter
11	554417	Adapter	23	555611	Adapter	35	555379	Adapter
12	222304	Adapter	24	305227	Adapter			

TABLE OF CONTENTS

Ball Joint Adapter Kit		1		
Table of Contents		3		
Ball Joint Application Guide		5		
Removal and Installation Instructions				
Chrysler	Aspen 2WD/4WD	2007-2008	Lower-Front	10
	Grand Voyager	2000	Lower-Front	11
	Pacifica FWD/AWD	2005-2008	Lower-Front	12
	Town & Country	1990-2000	Lower-Front	11
	Town & Country	2001-2008	Lower-Front	13
	Voyager	2000-2003	Lower-Front	11
	Dodge	Caravan	1984-2000	Lower-Front
Caravan		2001-2006	Lower-Front	13
Dakota 2WD		1987-1996	Lower-Front	14
Dakota 2WD/4WD		2005-2009	Lower-Front	15
Dakota 4WD		1987-1996	Lower-Front	16
Dakota 4WD		1997-2004	Lower-Front	17
Durango 2WD/4WD		2004-2008	Lower-Front	10
Durango 4WD		1998-2003	Lower-Front	17
Grand Caravan		1988-2000	Lower-Front	11
Grand Caravan		2001-2007	Lower-Front	13
Nitro 2WD/4WD		2007-2009	Lower-Front	18
Ram 1500 2WD		1994-1996	Lower-Front	19
Ram 1500 2WD		1994-1999	Upper-Front	20
Ram 1500 2WD		1997-1999	Lower-Front	21
Ram 1500 2WD/4WD		2006	Upper-Front	23
Ram 1500 2WD/4WD		2002-2005	Lower-Front	22
Ram 1500 4WD		2006	Lower-Front	22
Ram 1500 4WD		1994-1999	Lower-Front	24
Ram 1500 4WD		1994-1999	Upper-Front	25
Ram 1500 4WD Heavy Duty and Light Duty With IFS		2007-2008	Upper-Front	23
Ram 1500 4WD With 216 FBI axle		2000-2001	Lower-Front	24
Ram 1500 4WD With 216 FBI axle		2000-2001	Upper-Front	25
Ram 1500 4WD With 248 FBI axle		2000-2001	Lower-Front	24
Ram 1500 4WD With 248 FBI axle		2000-2001	Upper-Front	25
Ram 2500 2WD		1994-1996	Lower-Front	19
Ram 2500 2WD		1994-1999	Upper-Front	20
Ram 2500 2WD		2003-2008	Lower-Front	26
Ram 2500 2WD With Steel Control Arm		2006-2008	Upper-Front	23
Ram 2500 4WD		2000-2008	Lower-Front	29
Ram 2500 4WD		2000-2008	Upper-Front	30
Ram 2500 4WD With Dana 44 Axle		1994-1999	Upper-Front	25
Ram 2500 4WD With Dana 44 Axle		1996-1999	Lower-Front	24
Ram 2500 4WD With Dana 60 Axle		1994-1999	Lower-Front	27
Ram 2500 4WD With Dana 60 Axle		1994-1999	Upper-Front	28
Ram 3500 2WD		2003-2008	Lower-Front	26
Ram 3500 2WD With IFS		1994-1999	Lower-Front	19
Ram 3500 2WD With IFS		1994-1999	Upper-Front	20
Ram 3500 2WD With Solid Front Axle		2000-2002	Lower-Front	29
Ram 3500 2WD With Solid Front Axle		2000-2002	Upper-Front	30
Ram 3500 2WD With Steel Control Arm		2006-2008	Upper-Front	23
Ram 3500 4WD		1996-1999	Lower-Front	27
Ram 3500 4WD		1996-1999	Upper-Front	28
Ram 3500 4WD	2000-2008	Lower-Front	29	
Ram 3500 4WD	2000-2008	Upper-Front	30	

TABLE OF CONTENTS

Dodge	Ram 3500 4WD With Solid Front Axle	1994-1999	Lower-Front	27
	Ram 3500 4WD With Solid Front Axle	1994-1999	Upper-Front	28
	Ram SRT-10	2004-2006	Lower-Front	22
	Ram Van 1500/2500	1995-2003	Lower-Front	14
	Ram Van 3500 With 3600 lb. axle	1995-2003	Lower-Front	14
	Ram Van 3500 With 4000 lb. axle	1995-2003	Lower-Front	31
	Ram Van B100/200/300 Heavy Duty Suspension	1972-1980	Lower-Front	31
	Ram Van B100/200/300 With Standard Suspension	1971-1980	Lower-Front	14
	Ram Van B150/250/350 Heavy Duty Suspension	1981-1994	Lower-Front	31
	Ram Van B150/250/350 With Standard Suspension	1981-1994	Lower-Front	14
	Sprinter 2500/3500	2003-2008	Lower-Front	32
	Jeep	Cherokee	1990-2001	Lower-Front
Cherokee		1990-2001	Upper-Front	25
Cherokee (RHD)		1996-1998	Lower-Front	24
Cherokee (RHD)		1996-1998	Upper-Front	25
Commander 2WD/4WD		2006-2009	Lower-Front	18
Commander 2WD/4WD		2006-2009	Upper-Front	33
Compass 2WD/4WD		2007-2008	Lower-Front	34
Grand Cherokee 2WD/4WD		1993-2004	Lower-Front	24
Grand Cherokee 2WD/4WD		1996-2004	Upper-Front	25
Grand Cherokee 2WD/4WD		2005-2009	Lower-Front	18
Grand Cherokee 2WD/4WD		2005-2009	Upper-Front	33
Grand Wagoneer		1993-1994	Lower-Front	24
Liberty 2WD/4WD		2002-2007	Lower-Front	35
Liberty 2WD/4WD		2008-2009	Lower-Front	18
Wrangler		1987-2008	Lower-Front	24
Wrangler		1987-2008	Upper-Front	25
Mitsubishi	Mighty Max	1983-1996	Upper-Front	36
	Raider	2006-2009	Lower-Front	15
Plymouth	Grand Voyager	1988-2000	Lower-Front	11
	Voyager	1984-2000	Lower-Front	11
	Voyager	2001-2003	Lower-Front	13
Brake Anchor Pin Removal				37
U-Joint Disassembly and Assembly				37
Ball Joint Quick Reference Sheet				38

6539-2 CHRYSLER TRUCK BALL JOINT ADAPTER APPLICATION CHART

Make	Model	Year	Vehicle Type	Position	Location	OTC Removal Tools	OTC Installation Tools
Chrysler	Aspen 2WD/4WD	2007-2008	SUV	Lower	Front	555613, 314392	305227 & 29504 or 39976, 222304 & 305228, 314392
	Grand Voyager	2000	Van	Lower	Front	313968, 313969 or 29505 & 305228	38355A or 29505 & 305227, 554414
	Pacifica FWD/AWD	2005-2008	SUV	Lower	Front	313968, 313969	38355A, 554414
	Town & Country	2001-2008	Van	Lower	Front	313968, 313969	305227 & 29505, 554414
	Town & Country	1990-2000	Van	Lower	Front	313968, 313969 or 29505 & 305228	38355A or 29505 & 305227, 554414
	Voyager	2000-2003	Van	Lower	Front	313968, 313969 or 29505 & 305228	38355A or 29505 & 305227, 554414
Dodge	Caravan	1984-2000	Van	Lower	Front	313968, 313969 or 29505 & 305228	38355A or 29505 & 305227, 554414
	Caravan	2001-2006	Van	Lower	Front	313968, 313969	305227 & 29505, 554414
	Dakota 2WD	1987-1996	Truck	Lower	Front	555376, 222307 & 305228	305227 & 29504, 555380 or 204508A
	Dakota 2WD/4WD	2005-2009	Truck	Lower	Front	555614	204508A, 39976
	Dakota 4WD	1987-1996	Truck	Lower	Front	305227 & 554422, 305228 & 29504, 314392	39976, 204508A & 555378, 314392
	Dakota 4WD	1997-2004	Truck	Lower	Front	305227 & 29504 or 39976	38354, 222304 & 305228
	Durango 2WD/4WD	2004-2008	SUV	Lower	Front	555613, 314392	305227 & 29504 or 39976, 222304 & 305228, 314392
	Durango 4WD	1998-2003	SUV	Lower	Front	305227 & 29504 or 39976	38354, 222304 & 305228
	Grand Caravan	1988-2000	Van	Lower	Front	313968, 313969 or 29505 & 305228	38355A or 29505 & 305227, 554414
	Grand Caravan	2001-2007	Van	Lower	Front	313968, 313969	305227 & 29505, 554414
	Nitro 2WD/4WD	2007-2009	SUV	Lower	Front	555613	204508A, 39976
	Ram 1500 2WD	1994-1996	Truck	Lower	Front	29503 & 305227	305228 & 222304, 38354
	Ram 1500 2WD	1994-1999	Truck	Upper	Front	305227 & 555532, 538591, 314392	555380 or 204508A, 554592, 314392
	Ram 1500 2WD	1997-1999	Truck	Lower	Front	29503 & 305227	305228 & 222304, 305227 & 29504 or 39976
	Ram 1500 2WD	2006	Truck	Upper	Front	555377, 555610, 314392	554414 or 204508A, 555379, 314392
	Ram 1500 2WD/4WD	2002-2005	Truck	Lower	Front	555613	204508A, 29504 & 305227

6539-2 CHRYSLER TRUCK BALL JOINT ADAPTER APPLICATION CHART

Make	Model	Year	Vehicle Type	Position	Location	OTC Removal Tools	OTC Installation Tools
Dodge	Ram 1500 4WD	1994-1999	Truck	Lower	Front	313968, 313967 or 38355A	313969, 313970
	Ram 1500 4WD	1994-1999	Truck	Upper	Front	313967, 313968	313969, 313970
	Ram 1500 4WD	2006	Truck	Lower	Front	555613	204508A, 29504 & 305227
	Ram 1500 4WD With 216 FBI Axle	2000-2001	Truck	Lower	Front	313968, 313967 or 38355A	313969, 313970
	Ram 1500 4WD With 216 FBI Axle	2000-2001	Truck	Upper	Front	313967, 313968	313969, 313970
	Ram 1500 4WD With 248 FBI Axle	2000-2001	Truck	Lower	Front	313968, 313967 or 38355A	313969, 313970
	Ram 1500 4WD With 248 FBI Axle	2000-2001	Truck	Upper	Front	313967, 313968	313969, 313970
	Ram 1500 4WD Heavy Duty	2007-2008	Truck	Upper	Front	555377, 555610, 314392	554414 or 204508A, 555379, 314392
	Ram 1500 4WD Light Duty With IFS	2007-2008	Truck	Upper	Front	555377, 555610, 314392	554414 or 204508A, 555379, 314392, 305228
	Ram 2500 2WD	1994-1999	Truck	Lower	Front	29503 & 305227	305228 & 222304, 38354
	Ram 2500 2WD	1994-1999	Truck	Upper	Front	305227 & 555532, 538591, 314392	555380 or 204508A, 554592, 314392
	Ram 2500 2WD	2003-2008	Truck	Lower	Front	313444	204508A, 29504 & 305227 or 39976
	Ram 2500 2WD	2006-2008	Truck	Upper	Front	555377, 555610, 314392	554414 or 204508A, 555379, 314392, 305228
	Ram 2500 4WD	2000-2008	Truck	Lower	Front	313698, 555570, 314392	204508A, 555379, 314392
	Ram 2500 4WD	2000-2008	Truck	Upper	Front	305228 & 29504 or 222305, 554415	204508A or 555380, 555379
	Ram 2500 4WD With Dana 44 Axle	1994-1999	Truck	Upper	Front	313967, 313968	313969, 313970
	Ram 2500 4WD With Dana 44 Axle	1996-1999	Truck	Lower	Front	313968, 313967 or 38355A	313969, 313970
	Ram 2500 4WD With Dana 60 Axle	1994-1999	Truck	Lower	Front	305227 & 222305	38354, 204508A or 222304 & 305228
	Ram 2500 4WD With Dana 60 Axle	1994-1999	Truck	Upper	Front	29504 or 305227 & 222305	305227 & 29505, 204508A
	Ram 2500 4WD With Solid Front Axle	1994-1999	Truck	Lower	Front	222305, 305227	38354, 204508A or 222304 & 305228
Ram 2500 4WD With Solid Front Axle	1994-1999	Truck	Upper	Front	29504 or 222305, 305227	29505, 305227, 204508A or 222304 & 305228	
Ram 3500 2WD	2003-2008	Truck	Lower	Front	313444	204508A, 29504 & 305227 or 39976	

6539-2 CHRYSLER TRUCK BALL JOINT ADAPTER APPLICATION CHART

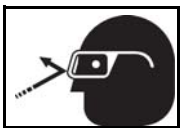
Make	Model	Year	Vehicle Type	Position	Location	OTC Removal Tools	OTC Installation Tools
Dodge	Ram 3500 2WD	2006-2008	Truck	Upper	Front	555377, 555610, 314392	554414 or 204508A, 555379, 314392, 305228
	Ram 3500 2WD With IFS	1994-1999	Truck	Lower	Front	29503 & 305227	305228 & 222304, 38354
	Ram 3500 2WD With IFS	1994-1999	Truck	Upper	Front	305227 & 555532, 538591, 314392	555380 or 204508A, 554592, 314392
	Ram 3500 4WD With Solid Front Axle	1994-1999	Truck	Lower	Front	305227 & 222305	38354, 204508A or 222304 & 305228
	Ram 3500 4WD With Solid Front Axle	1994-1999	Truck	Upper	Front	29504 or 305227 & 222305	305227 & 29505, 204508A
	Ram 3500 2WD With Solid Front Axle	2000-2002	Truck	Lower	Front	313968, 555570, 314392	204508A, 555379, 314392
	Ram 3500 2WD With Solid Front Axle	2000-2002	Truck	Upper	Front	305228 & 29504 or 222305, 554415	204508A or 555380, 555379
	Ram 3500 4WD	1996-1999	Truck	Lower	Front	305227 & 222305	38354, 204508A or 222304 & 305228
	Ram 3500 4WD	1996-1999	Truck	Upper	Front	29504 or 305227 & 222305	305227 & 29505, 204508A
	Ram 3500 4WD	2000-2008	Truck	Lower	Front	313698, 555570, 314392	204508A, 555379, 314392
	Ram 3500 4WD	2000-2008	Truck	Upper	Front	305228 & 29504 or 222305, 554415	204508A or 555380, 555379
	Ram SRT-10	2004-2006	Truck	Lower	Front	555613	204508A, 29504 & 305227
	Ram Van 1500	1995-2003	Van	Lower	Front	555376, 222307 & 305228	305227 & 29504, 555380 or 204508A
	Ram Van 2500	1995-2003	Van	Lower	Front	555376, 222307 & 305228	305227 & 29504, 555380 or 204508A
	Ram Van 3500 With 3600 lb Axle	1995-2003	Van	Lower	Front	555376, 222307 & 305228	305227 & 29504, 555380 or 204508A
	Ram Van 3500 With 4000 lb Axle	1995-2003	Van	Lower	Front	555376, 29503 & 305228	305227 & 29503, 554417
	Ram Van B100 With Heavy Duty Suspension	1972-1980	Van	Lower	Front	555376, 29503 & 305228	305227 & 29503, 554417
	Ram Van B100 With Standard Suspension	1971-1980	Van	Lower	Front	555376, 222307 & 305228	305227 & 29504, 555380 or 204508A
	Ram Van B150 With Heavy Duty Suspension	1981-1994	Van	Lower	Front	555376, 29503 & 305228	305227 & 29503, 554417
	Ram Van B150 With Standard Suspension	1981-1994	Van	Lower	Front	555376, 222307 & 305228	305227 & 29504, 555380 or 204508A
Ram Van B200 With Heavy Duty Suspension	1972-1980	Van	Lower	Front	555376, 29503 & 305228	305227 & 29503, 554417	

6539-2 CHRYSLER TRUCK BALL JOINT ADAPTER APPLICATION CHART

Make	Model	Year	Vehicle Type	Position	Location	OTC Removal Tools	OTC Installation Tools
Dodge	Ram Van B200 With Standard Suspension	1971-1980	Van	Lower	Front	555376, 222307 & 305228	305227 & 29504, 555380 or 204508A
	Ram Van B250 With Heavy Duty Suspension	1981-1994	Van	Lower	Front	555376, 29503 & 305228	305227 & 29503, 554417
	Ram Van B250 With Standard Suspension	1981-1994	Van	Lower	Front	555376, 222307 & 305228	305227 & 29504, 555380 or 204508A
	Ram Van B300 With Heavy Duty Suspension	1972-1980	Van	Lower	Front	555376, 29503 & 305228	305227 & 29503, 554417
	Ram Van B300 With Standard Suspension	1971-1980	Van	Lower	Front	555376, 222307 & 305228	305227 & 29504, 555380 or 204508A
	Ram Van B350 With Heavy Duty Suspension	1981-1994	Van	Lower	Front	555376, 29503 & 305228	305227 & 29503, 554417
	Ram Van B350 With Standard Suspension	1981-1994	Van	Lower	Front	555376, 222307 & 305228	305227 & 29504, 555380 or 204508A
	Sprinter 2500	2003-2008	Van	Lower	Front	222307 & 305227	204508A, 29504 & 305227 or 39976
	Sprinter 3500	2003-2008	Van	Lower	Front	222307 & 305227	204508A, 29504 & 305227 or 39976
	Jeep	Cherokee	1990-2001	SUV	Lower	Front	313968, 313967 or 38355A
Cherokee		1990-2001	SUV	Upper	Front	313967, 313968	313969, 313970
Cherokee (RHD)		1996-1998	SUV	Lower	Front	313968, 313967 or 38355A	313969, 313970
Cherokee (RHD)		1996-1998	SUV	Upper	Front	313967, 313968	313969, 313970
Commander 2WD/4WD		2006-2009	SUV	Lower	Front	555613	204508A, 39976
Commander 2WD/4WD		2006-2009	SUV	Upper	Front	555377, 555610, 314392	554414, 554592, 314392
Compass 2WD/4WD		2007-2008	SUV	Lower	Front	313968, 313969	313969, 554415
Grand Cherokee 2WD/4WD		1993-2004	SUV	Lower	Front	313968, 313967 or 38355A	313969, 313970
Grand Cherokee 2WD/4WD		1996-2004	SUV	Upper	Front	313967, 313968	313969, 313970
Grand Cherokee 2WD/4WD		2005-2009	SUV	Lower	Front	555613	204508A, 39976
Grand Cherokee 2WD/4WD		2005-2009	SUV	Upper	Front	555377, 555610, 314392	554414, 554592, 314392
Grand Wagoneer		1993-1994	SUV	Lower	Front	313968, 313967 or 38355A	313969, 313970
Liberty 2WD/4WD		2002-2007	SUV	Lower	Front	555612, 555611, 314392	555380, 313967, 314392

6539-2 CHRYSLER TRUCK BALL JOINT ADAPTER APPLICATION CHART

Make	Model	Year	Vehicle Type	Position	Location	OTC Removal Tools	OTC Installation Tools
Jeep	Liberty 2WD/4WD	2008-2009	SUV	Lower	Front	555613	204508A, 39976
	Wrangler	1987-2007	SUV	Lower	Front	313968, 313967 or 38355A	313969, 313970
	Wrangler	1987-2008	SUV	Upper	Front	313967, 313968	313969, 313970
Mitsubishi	Mighty Max	1983-1996	Truck	Upper	Front	531739, 538590, 314392	554414, 38355A, 314392
	Raider	2006-2009	Truck	Lower	Front	555614	204508A, 39976
Plymouth	Grand Voyager	1988-2000	Van	Lower	Front	313968, 313969 or 29505 & 305228	38355A or 29505 & 305227, 554414
	Voyager	1984-2000	Van	Lower	Front	313968, 313969 or 29505 & 305228	38355A or 29505 & 305227, 554414
	Voyager	2001-2003	Van	Lower	Front	313968, 313969	29505, 305227, 554414



Safety Precautions

CAUTION: To prevent personal injury:

- Wear protective eyewear that meets the requirements of ANSI Z87.1 and OSHA.
- Before performing any repairs on a vehicle, block all wheels to prevent movement.
- Check the final alignment of tooling and components before using the C-frame press to exert pressure.



Component: Lower-Front

Application:

Chrysler Aspen 2WD/4WD 2007-2008

Dodge Durango 2WD/4WD 2004-2008

REMOVAL:

1. Position 555613 over the stem of the ball joint.
2. Position 314392 and the C-Frame as shown in Figure 1.
3. Turn the forcing screw until it meets the ball joint. Check the alignment of all components.
4. Tighten the forcing screw until the ball joint is removed.

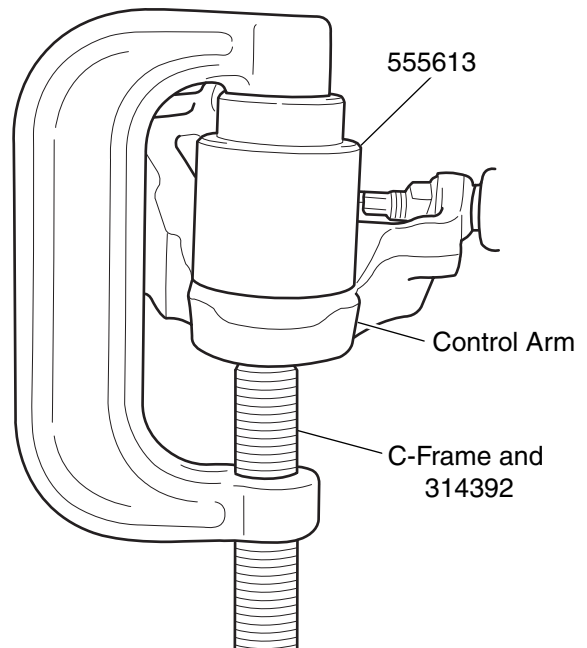


Figure 1. Ball Joint Removal

INSTALLATION:

1. Clean the control arm ball joint bore.
2. Insert the new ball joint as straight as possible into the control arm.
3. Position 29504 and 305227 (or 39976 alone) on the ball joint as shown in Figure 2.
4. Position 222304, 305228, 314392 and the C-Frame and tighten the forcing screw.
5. Check the alignment of all the components and continue tightening the forcing screw until the ball joint is firmly seated.
6. Install a new snap ring.

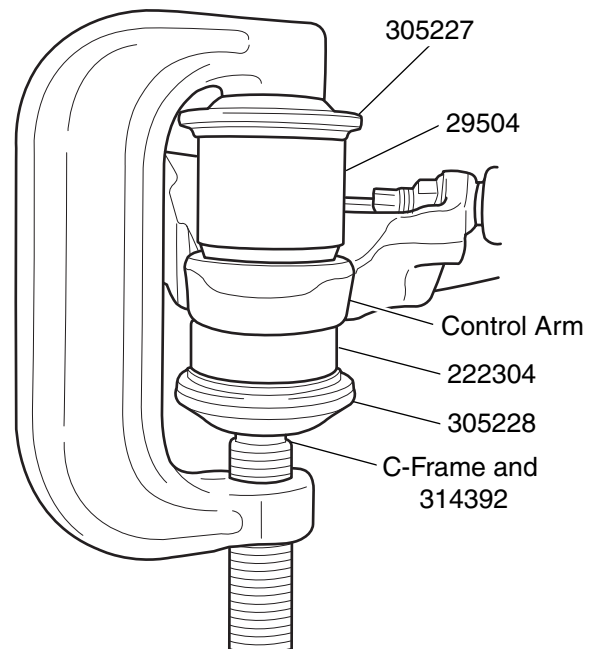


Figure 2. Ball Joint Installation

Component: Lower-Front

Application:

Chrysler Grand Voyager 2000
Chrysler Town & Country 1990-2000
Chrysler Voyager 2000-2003
Dodge Caravan 1984-2000

Dodge Grand Caravan 1988-2000
Plymouth Grand Voyager 1988-2000
Plymouth Voyager 1984-2000

REMOVAL:

1. Remove the dust boot.
2. Position 313968 over the stem of the ball joint.
3. Position 313969 (or 29505 and 305228) and the C-Frame as shown in Figure 1.
4. Turn the forcing screw until it meets the ball joint. Check the alignment of all components.
5. Tighten the forcing screw until the ball joint is removed.

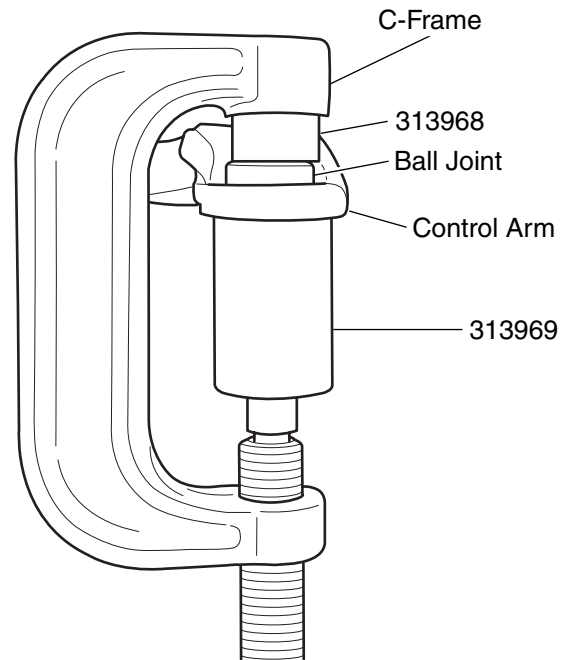


Figure 1. Ball Joint Removal

INSTALLATION:

1. Clean the control arm ball joint bore.
2. Insert the new ball joint as straight as possible into the control arm.
3. Position 38355A (or 29505 and 305227) on the ball joint as shown in Figure 2.
4. Position 554414 and the C-Frame and tighten the forcing screw.
5. Check the alignment of all the components and continue tightening the forcing screw until the ball joint is firmly seated.
6. Install a new dust boot, snap ring and grease fitting, if equipped.

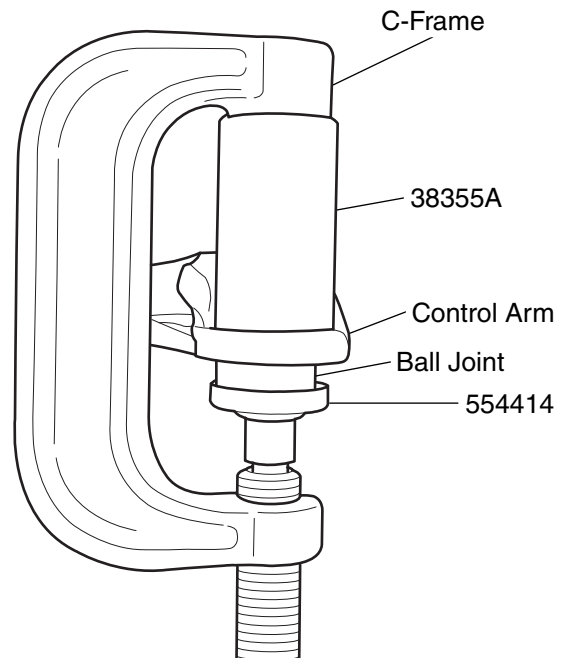


Figure 2. Ball Joint Installation

Component: Lower-Front

Application:

Chrysler Pacifica FWD/AWD 2005-2008

REMOVAL:

1. Remove the dust boot.
2. Position 313968 over the stem of the ball joint.
3. Position 313969 and the C-Frame.
4. Turn the forcing screw until it meets the ball joint. Check the alignment of all components.
5. Tighten the forcing screw until the ball joint is removed.

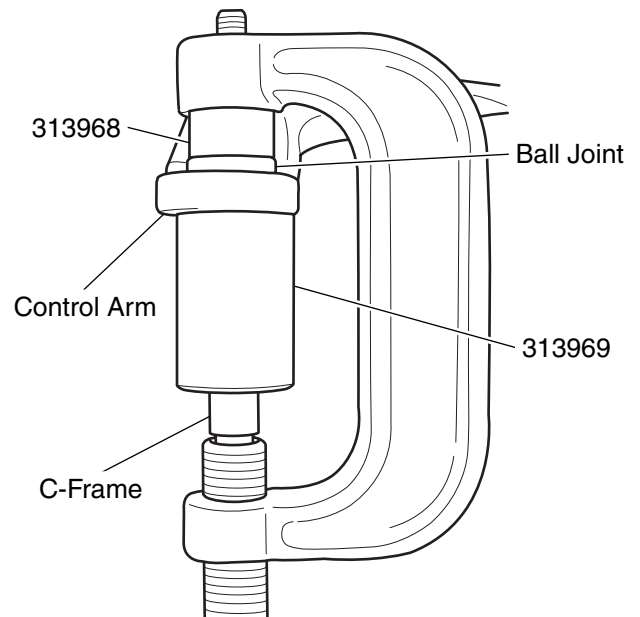


Figure 1. Ball Joint Removal

INSTALLATION:

1. Clean the control arm ball joint bore.
2. Insert the new ball joint as straight as possible into the control arm.
3. Position 38355A and 554414 on the ball joint as shown in Figure 2.
4. Position the C-Frame and tighten the forcing screw.
5. Check the alignment of all the components and continue tightening the forcing screw until the ball joint is firmly seated.

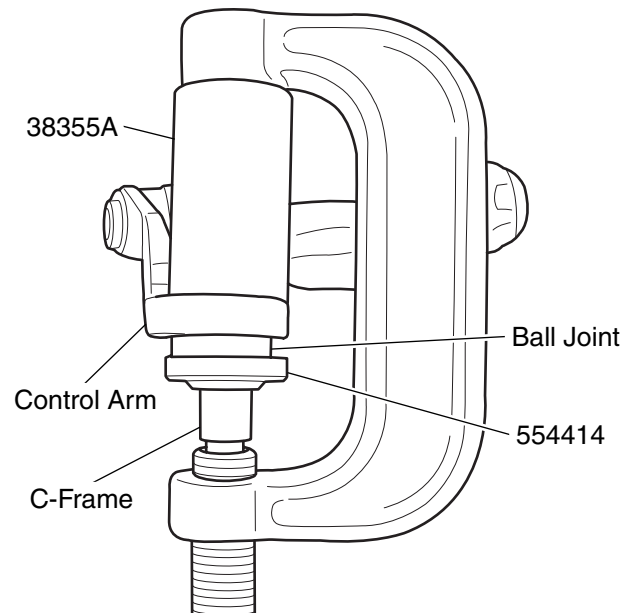


Figure 2. Ball Joint Installation

Component: Lower-Front

Application:

Chrysler Town & Country 2001-2008
Dodge Caravan 2001-2006

Dodge Grand Caravan 2001-2007
Plymouth Voyager 2001-2003

REMOVAL:

1. Remove the dust boot.
2. Position 313968 over the stem of the ball joint.
3. Position 313969 and the C-Frame as shown in Figure 1.
4. Turn the forcing screw until it meets the ball joint. Check the alignment of all components.
5. Tighten the forcing screw until the ball joint is removed.

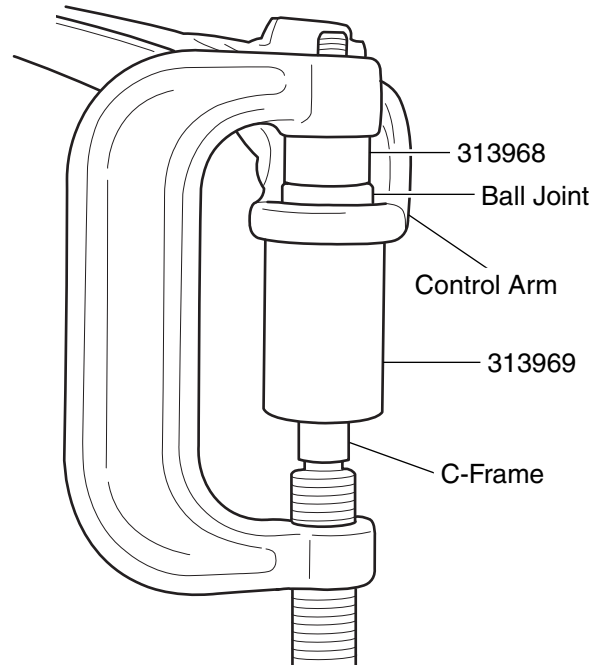


Figure 1. Ball Joint Removal

INSTALLATION:

1. Clean the control arm ball joint bore.
2. Insert the new ball joint as straight as possible into the control arm.
3. Position 29505 and 305227 on the ball joint as shown in Figure 2.
4. Position 554414 and the C-Frame and tighten the forcing screw.
5. Check the alignment of all the components and continue tightening the forcing screw until the ball joint is firmly seated.
6. Install a new snap ring, dust boot and grease fitting, if equipped.

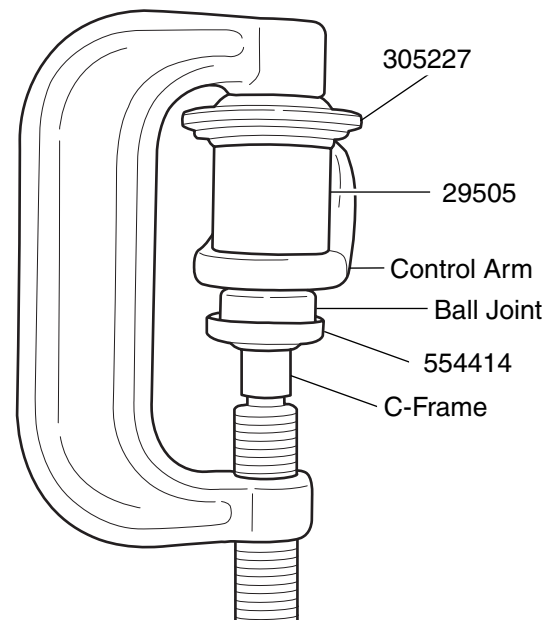


Figure 2. Ball Joint Installation

Component: Lower-Front

Application:

Dodge Dakota 2WD 1987-1996

Dodge Ram Van 1500/2500 1995-2003

Dodge Ram Van 3500 w/3600 lb. axle 1995-2003

Dodge Ram Van B100/200/300 w/Std. Susp. 1971-1980

Dodge Ram Van B150/250/350 w/Std. Susp. 1981-1994

REMOVAL:

1. Remove the dust boot.
2. Position 555376 over the stem of the ball joint.
3. Position 222307, 305288 and the C-Frame as shown in Figure 1.
4. Turn the forcing screw until it meets the ball joint. Check the alignment of all components.
5. Tighten the forcing screw until the ball joint is removed.

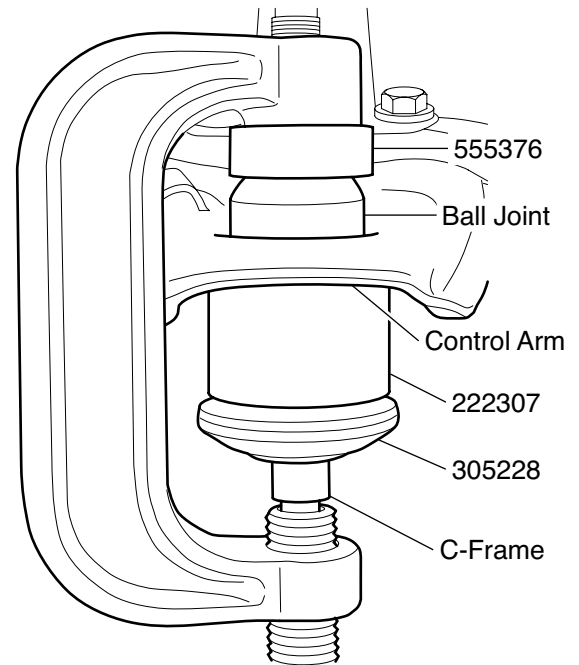


Figure 1. Ball Joint Removal

INSTALLATION:

1. Clean the control arm ball joint bore.
2. Insert the new ball joint as straight as possible into the control arm.
3. Position 29504 and 305227 on the ball joint as shown in Figure 2.
4. Position 555380 (or 204508A) and the C-Frame and tighten the forcing screw.
5. Check the alignment of all the components and continue tightening the forcing screw until the ball joint is firmly seated.
6. Install a new dust boot and grease fitting, if equipped.

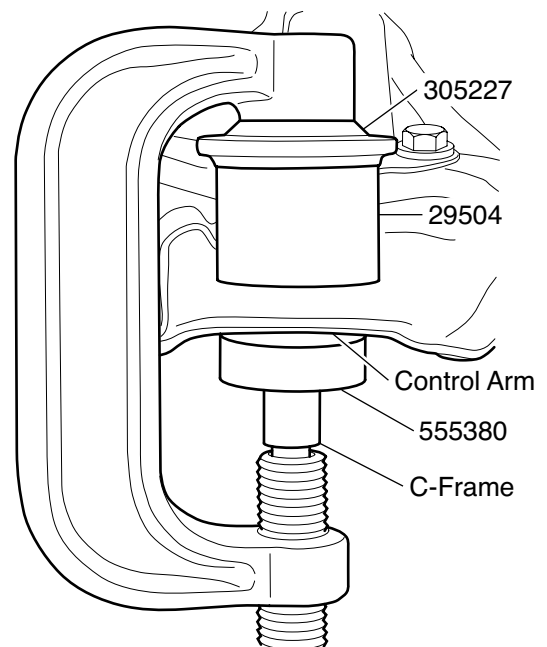


Figure 2. Ball Joint Installation

Component: Lower-Front

Application:

Dodge Dakota 2WD/4WD 2005-2009

Mitsubishi Raider 2006-2009

REMOVAL:

1. Position 555614 over the stem of the ball joint.
2. Position the C-Frame as shown in Figure 1.
3. Turn the forcing screw until it meets the ball joint. Check the alignment of all components.
4. Tighten the forcing screw until the ball joint is removed.

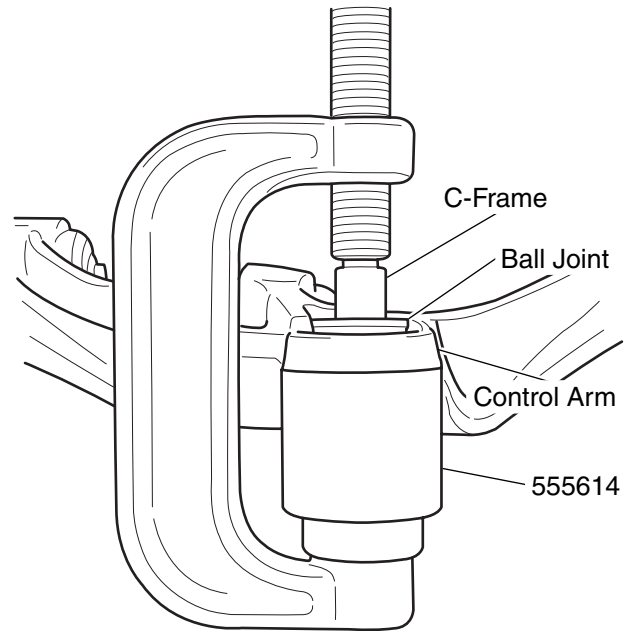


Figure 1. Ball Joint Removal

INSTALLATION:

1. Clean the control arm ball joint bore.
2. Insert the new ball joint as straight as possible into the control arm.
3. Position 39976 on the ball joint as shown in Figure 2.
4. Position 204508A and the C-Frame and tighten the forcing screw.
5. Check the alignment of all the components and continue tightening the forcing screw until the ball joint is firmly seated.
6. Install a new snap ring and grease fitting, if equipped.

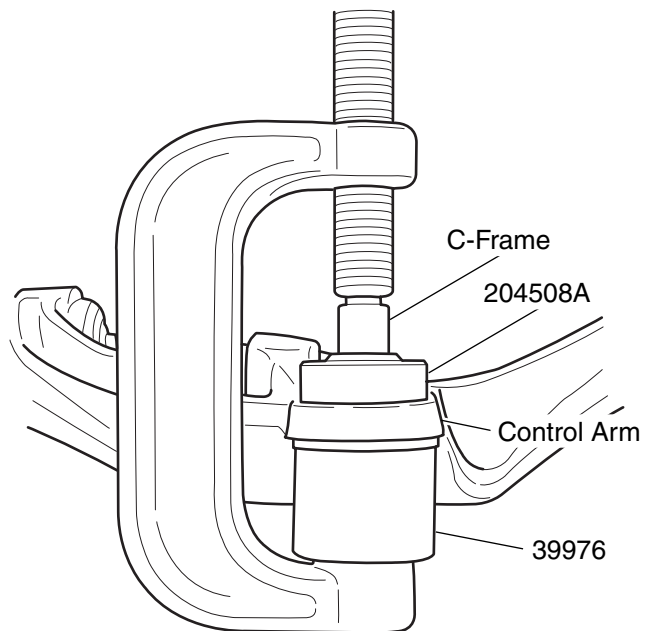


Figure 2. Ball Joint Installation

Component: Lower-Front

Application:

Dodge Dakota 4WD 1987-1996

REMOVAL:

1. Remove the dust boot.
2. Position 554422 and 305227 over the stem of the ball joint.
3. Position 29504, 305228, 314392 and the C-Frame as shown in Figure 1.
4. Turn the forcing screw until it meets the ball joint. Check the alignment of all components.
5. Tighten the forcing screw until the ball joint is removed.

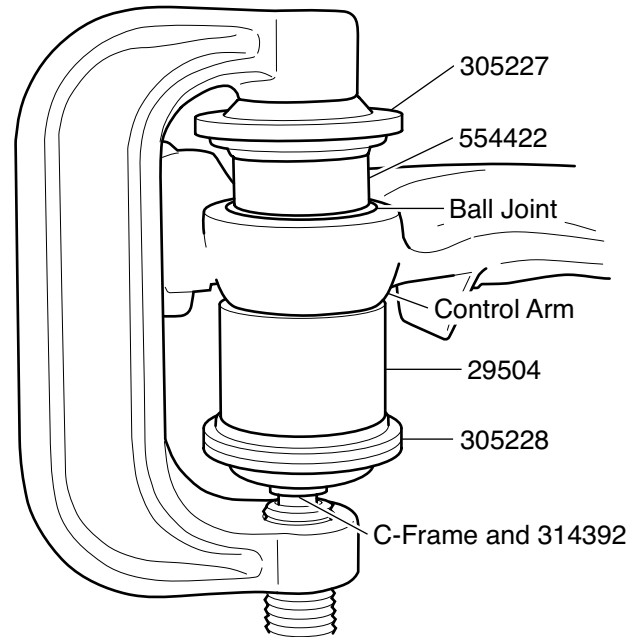


Figure 1. Ball Joint Removal

INSTALLATION:

1. Clean the control arm ball joint bore.
2. Insert the new ball joint as straight as possible into the control arm.
3. Position 39976 on the ball joint as shown in Figure 2.
4. Position 555378, 204508A, 314392 and the C-Frame and tighten the forcing screw.
5. Check the alignment of all the components and continue tightening the forcing screw until the ball joint is firmly seated.
6. Install a new snap ring and dust boot.

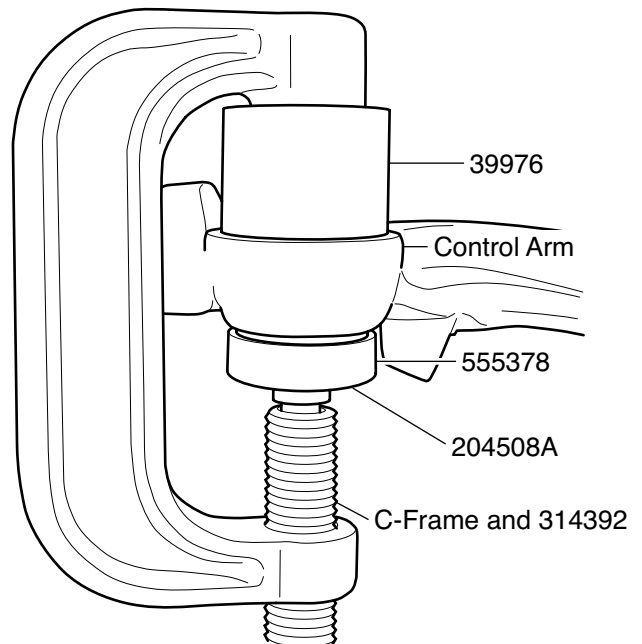


Figure 2. Ball Joint Installation

Component: Lower-Front

Application:

Dodge Dakota 4WD 1997-2004

Dodge Durango 4WD 1998-2003

REMOVAL:

1. Position 29504 and 305227 (or 39976 alone) over the stem of the ball joint.
2. Position the C-Frame as shown in Figure 1.
3. Turn the forcing screw until it meets the ball joint. Check the alignment of all components.
4. Tighten the forcing screw until the ball joint is removed.

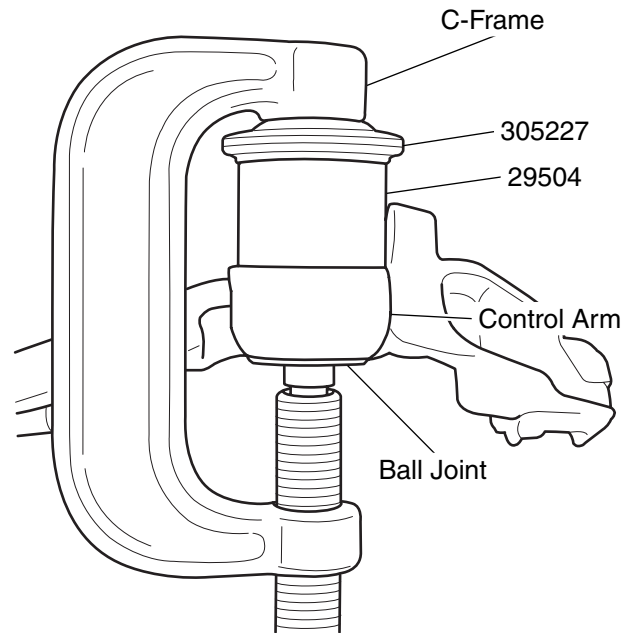


Figure 1. Ball Joint Removal

INSTALLATION:

1. Clean the control arm ball joint bore.
2. Insert the new ball joint as straight as possible into the control arm.
3. Position 38354 on the ball joint as shown in Figure 2.
4. Position 222304, 305228 and the C-Frame and tighten the forcing screw.
5. Check the alignment of all the components and continue tightening the forcing screw until the ball joint is firmly seated.
6. Install a new dust boot, snap ring and grease fitting, if equipped.

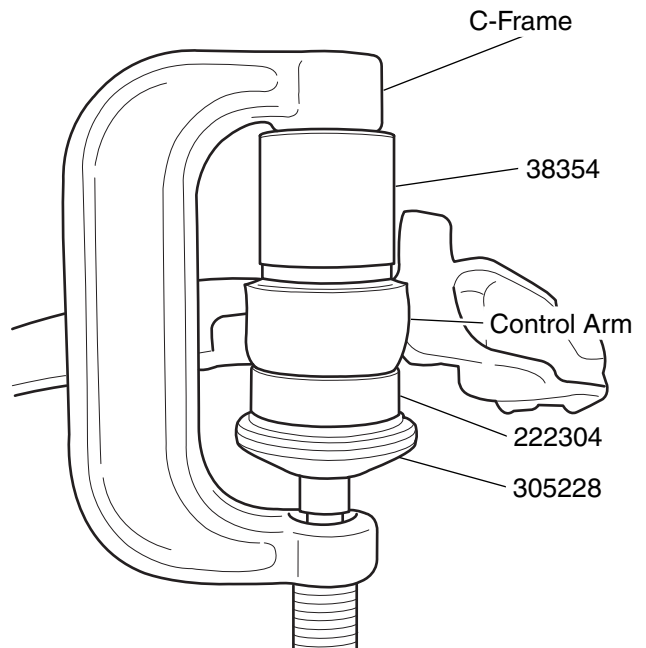


Figure 2. Ball Joint Installation

Component: Lower-Front

Application:

Dodge Nitro 2WD/4WD 2007-2009

Jeep Commander 2WD/4WD 2006-2009

Jeep Grand Cherokee 2WD/4WD 2005-2009

Jeep Liberty 2WD/4WD 2008-2009

REMOVAL:

1. Position 555613 over the stem of the ball joint.
2. Position the C-Frame as shown in Figure 1.
3. Turn the forcing screw until it meets the ball joint. Check the alignment of all components.
4. Tighten the forcing screw until the ball joint is removed.

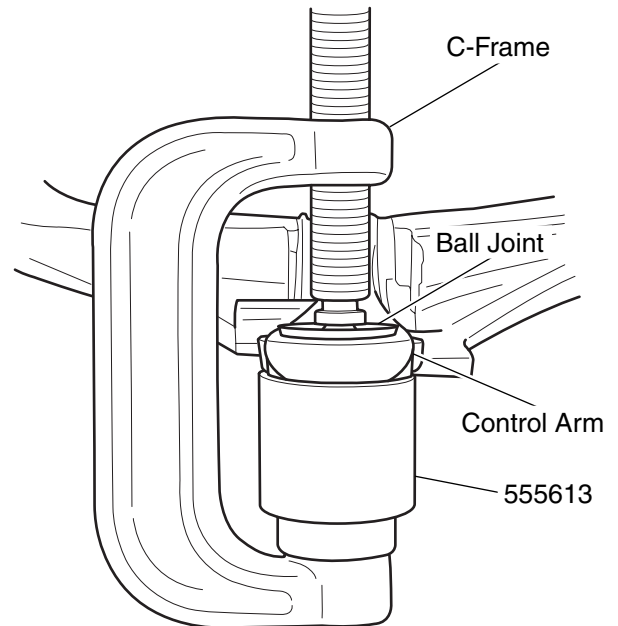


Figure 1. Ball Joint Removal

INSTALLATION:

1. Clean the control arm ball joint bore.
2. Insert the new ball joint as straight as possible into the control arm.
3. Position 204508A on the ball joint as shown in Figure 2.
4. Position 39976 and the C-Frame and tighten the forcing screw.
5. Check the alignment of all the components and continue tightening the forcing screw until the ball joint is firmly seated.
6. Install a new snap ring and grease fitting, if equipped.

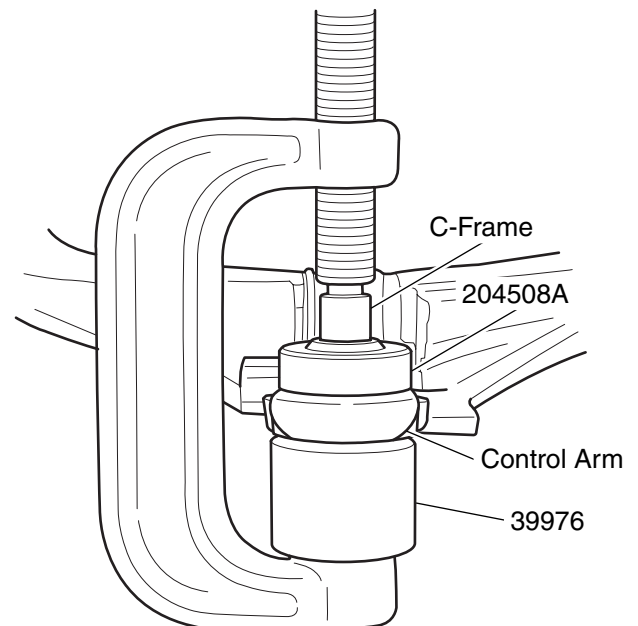


Figure 2. Ball Joint Installation

Component: Lower-Front

Application:

Dodge Ram 1500 2WD 1994-1996

Dodge Ram 2500 2WD 1994-1999

Dodge Ram 3500 2WD With IFS 1994-1999

REMOVAL:

1. Position 29503 and 305227 over the stem of the ball joint.
2. Position the C-Frame as shown in Figure 1.
3. Turn the forcing screw until it meets the ball joint. Check the alignment of all components.
4. Tighten the forcing screw until the ball joint is removed.

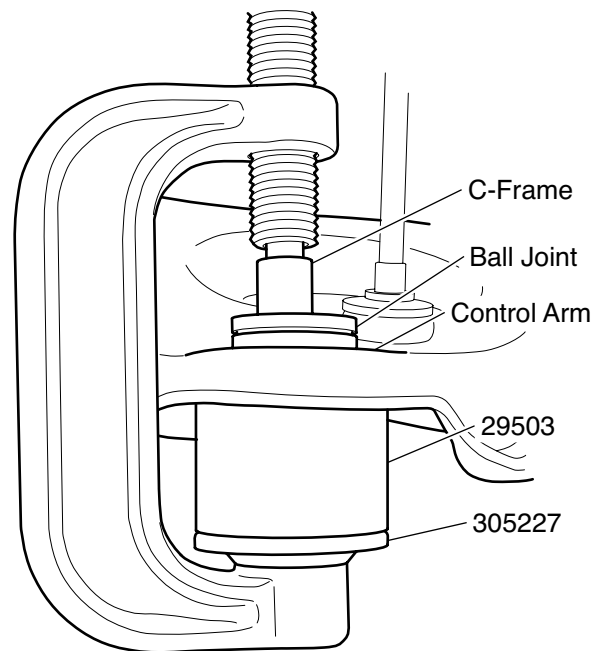


Figure 1. Ball Joint Removal

INSTALLATION:

1. Clean the control arm ball joint bore.
2. Insert the new ball joint as straight as possible into the control arm.
3. Position 222304 and 305228 on the ball joint as shown in Figure 2.
4. Position 38354 and the C-Frame and tighten the forcing screw.
5. Check the alignment of all the components and continue tightening the forcing screw until the ball joint is firmly seated.
6. Install a new dust boot, snap ring and grease fitting, if equipped.

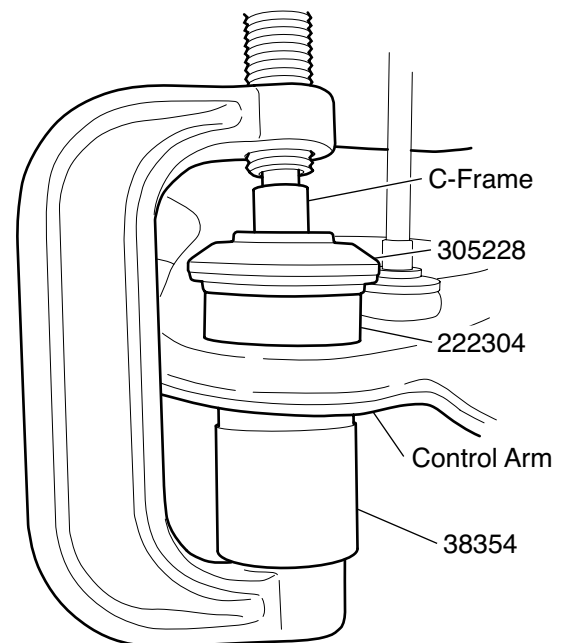


Figure 2. Ball Joint Installation

Component: Upper-Front

Application:

Dodge Ram 1500 2WD 1994-1999

Dodge Ram 2500 2WD 1994-1999

Dodge Ram 3500 2WD With IFS 1994-1999

REMOVAL:

1. Position 555532 and 305227 on the ball joint.
2. Position 538591, 314392 and the C-Frame as shown in Figure 1.
3. Turn the forcing screw until it meets the ball joint. Check the alignment of all components.
4. Tighten the forcing screw until the ball joint is removed.

INSTALLATION:

1. Clean the control arm ball joint bore.
2. Insert the new ball joint as straight as possible into the control arm.
3. Position 555380 (or 204508A) on the ball joint as shown in Figure 2.
4. Position 554592, 314392 and the C-Frame and tighten the forcing screw.
5. Check the alignment of all the components and continue tightening the forcing screw until the ball joint is firmly seated.
6. Install a new dust boot and grease fitting, if equipped.

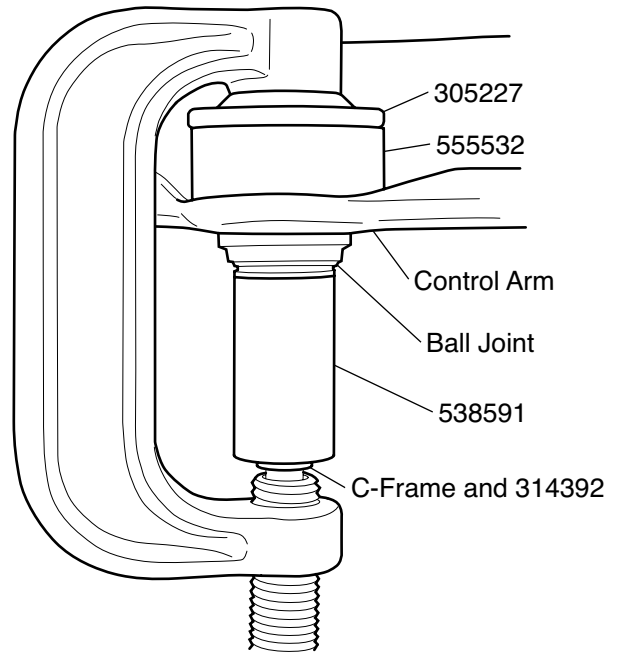


Figure 1. Ball Joint Removal

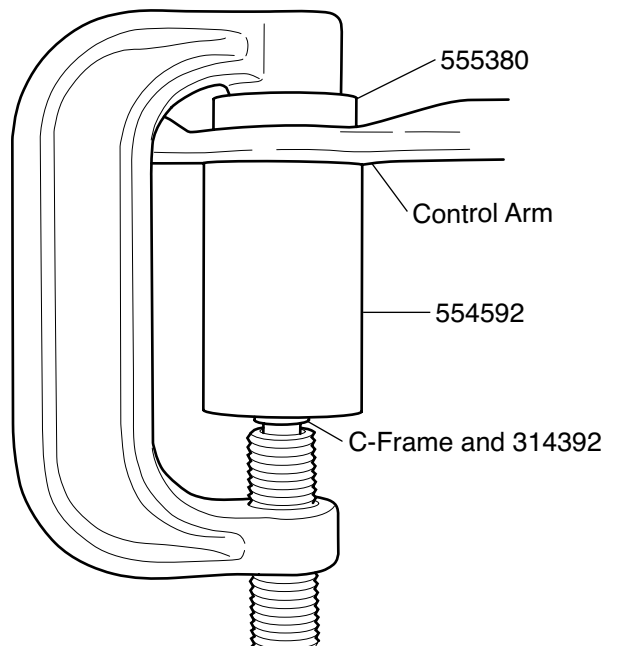


Figure 2. Ball Joint Installation

Component: Lower-Front

Application:

Dodge Ram 1500 2WD 1997-1999

REMOVAL:

1. Remove the snap ring.
2. Position 29503 and 305227 over the stem of the ball joint.
3. Position the C-Frame as shown in Figure 1.
4. Turn the forcing screw until it meets the ball joint. Check the alignment of all components.
5. Tighten the forcing screw until the ball joint is removed.

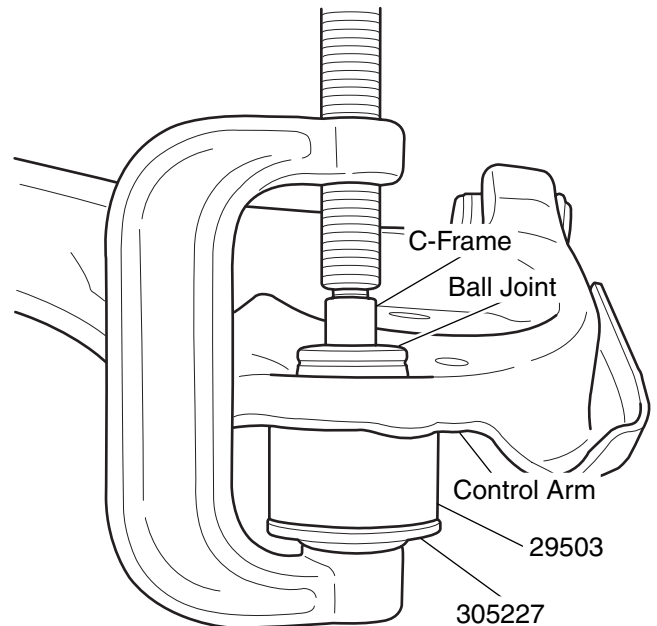


Figure 1. Ball Joint Removal

INSTALLATION:

1. Clean the control arm ball joint bore.
2. Insert the new ball joint as straight as possible into the control arm.
3. Position 222304 and 305228 on the ball joint as shown in Figure 2.
4. Position 29504 and 305227 (or 39976 alone) and the C-Frame and tighten the forcing screw.
5. Check the alignment of all the components and continue tightening the forcing screw until the ball joint is firmly seated.
6. Install a new dust boot, snap ring and grease fitting, if equipped.

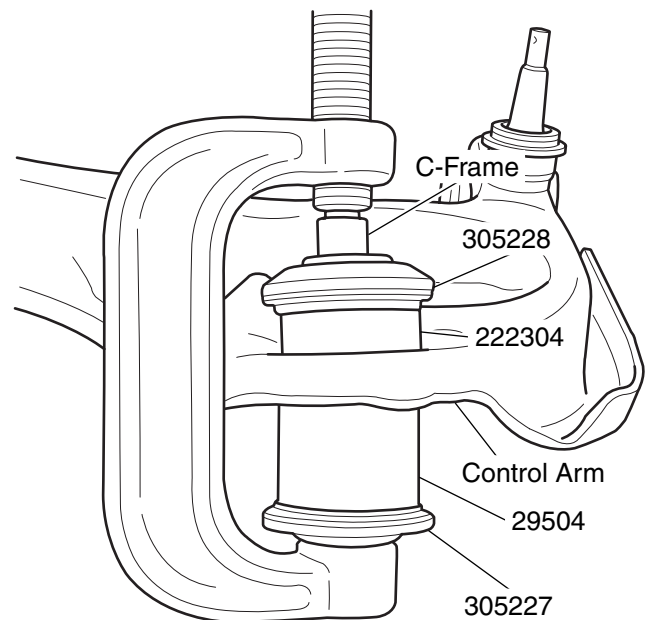


Figure 2. Ball Joint Installation

Component: Lower-Front

Application:

Dodge Ram 1500 2WD/4WD 2002-2005

Dodge Ram 1500 4WD 2006

Dodge Ram SRT-10 2004-2006

REMOVAL:

1. Position 555613 over the stem of the ball joint.
2. Position the C-Frame as shown in Figure 1.
3. Turn the forcing screw until it meets the ball joint. Check the alignment of all components.
4. Tighten the forcing screw until the ball joint is removed.

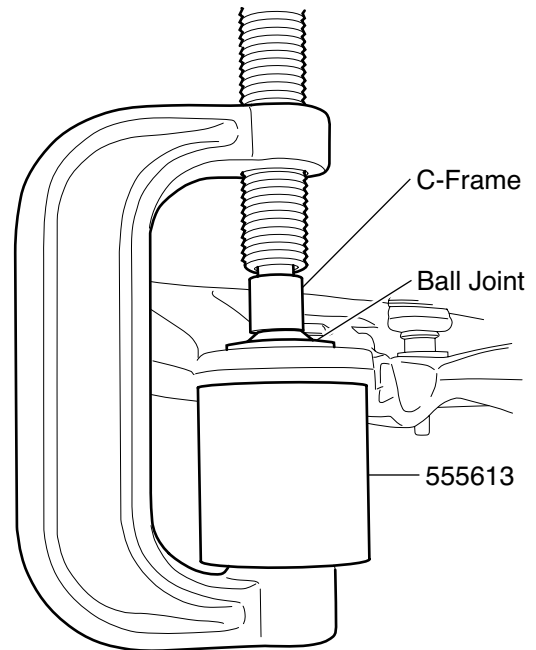


Figure 1. Ball Joint Removal

INSTALLATION:

1. Clean the control arm ball joint bore.
2. Insert the new ball joint as straight as possible into the control arm.
3. Position 29504 and 305227 on the ball joint as shown in Figure 2.
4. Position 204508A and the C-Frame and tighten the forcing screw.
5. Check the alignment of all the components and continue tightening the forcing screw until the ball joint is firmly seated.
6. Install a new snap ring and grease fitting, if equipped.

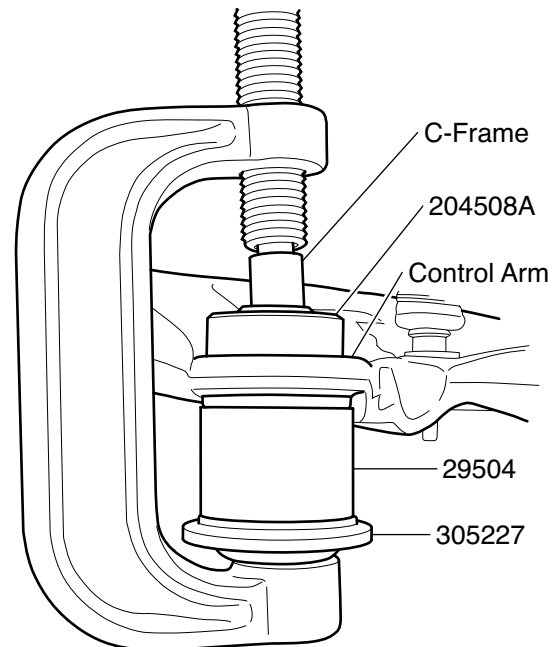


Figure 2. Ball Joint Installation

Component: Upper-Front

Application:

Dodge Ram 1500 2WD/4WD 2006

Dodge Ram 1500 4WD Heavy Duty and Light Duty With IFS 2007-2008

Dodge Ram 2500 2WD 2006-2008 With Steel control arm

Dodge Ram 3500 2WD 2006-2008 With Steel control arm

REMOVAL:

1. Position 555377 on the ball joint.
2. Position 555610, 314392 and the C-Frame as shown in Figure 1.
3. Turn the forcing screw until it meets the ball joint. Check the alignment of all components.
4. Tighten the forcing screw until the ball joint is removed.

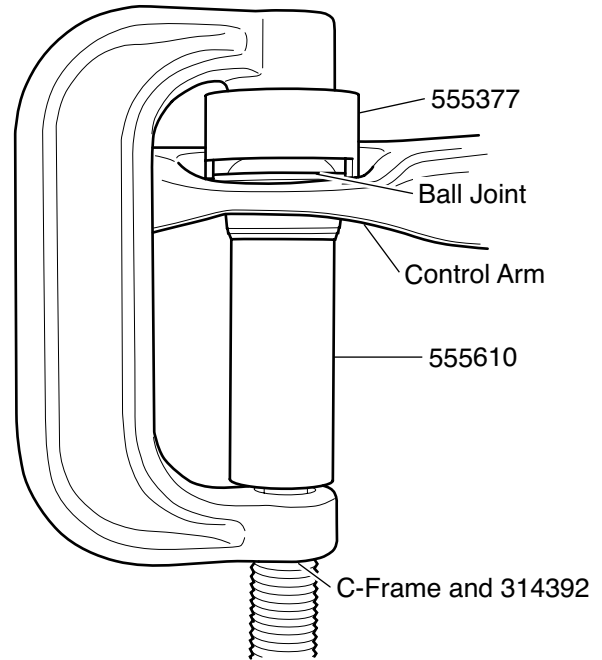


Figure 1. Ball Joint Removal

INSTALLATION:

CAUTION: If ball joint shank is too long for ball joint adapter, place 305228 at the end of 555379 as an extension. Ball joint shaft must line up with the hole in the 555379 adapter during installation, or damage may occur to the ball joint. Check periodically during installation.

1. Clean the control arm ball joint bore.
2. Insert the new ball joint as straight as possible into the control arm.
3. Position 554414 (or 204508A) on the ball joint as shown in Figure 2.
4. Position 555379 (and 305228 if necessary), 314392 and the C-Frame and tighten the forcing screw.
5. Check the alignment of all the components and continue tightening the forcing screw until the ball joint is firmly seated.
6. Install a new dust boot, snap ring and grease fitting, if equipped.

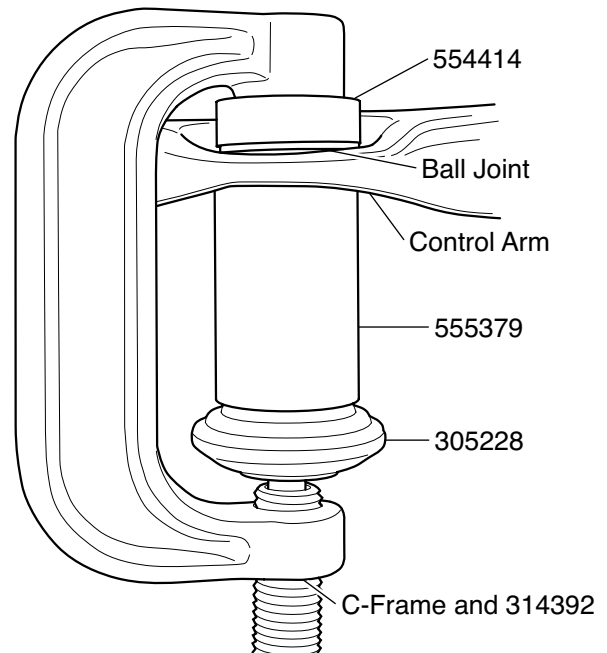


Figure 2. Ball Joint Installation

Component: Lower-Front

Application:

Dodge Ram 1500 4WD 1994-1999
Dodge Ram 1500 4WD With 216 FBI axle 2000-2001
Dodge Ram 1500 4WD With 248 FBI axle 2000-2001
Dodge Ram 2500 4WD With Dana 44 axle 1996-1999

Jeep Cherokee 1990-2001
Jeep Cherokee (RHD) 1996-1998
Jeep Grand Cherokee 1993-2004
Jeep Grand Wagoneer 1993-1994
Jeep Wrangler 1987-2008

REMOVAL:

1. Remove the dust boot.
2. Position 313968 over the stem of the ball joint.
3. Position 313967 (or 38355A) and the C-Frame as shown in Figure 1.
4. Turn the forcing screw until it meets the ball joint. Check the alignment of all components.
5. Tighten the forcing screw until the ball joint is removed.

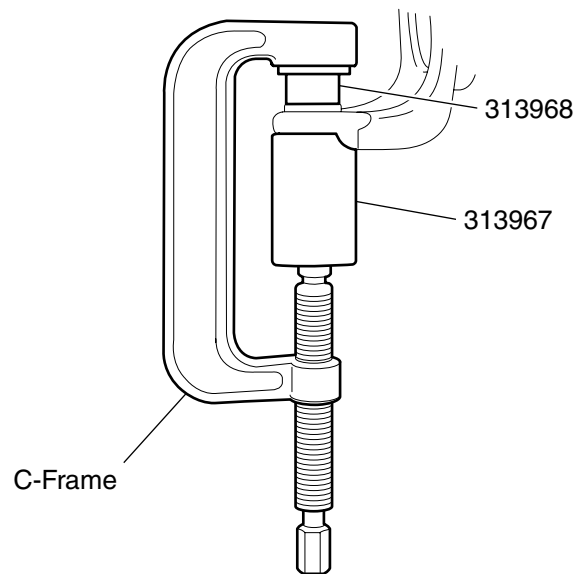


Figure 1. Ball Joint Removal

INSTALLATION:

1. Clean the control arm ball joint bore.
2. Insert the new ball joint as straight as possible into the control arm.
3. Position 313969 on the ball joint as shown in Figure 2.
4. Position 313970 and the C-Frame and tighten the forcing screw.
5. Check the alignment of all the components and continue tightening the forcing screw until the ball joint is firmly seated.
6. Install a new dust boot.

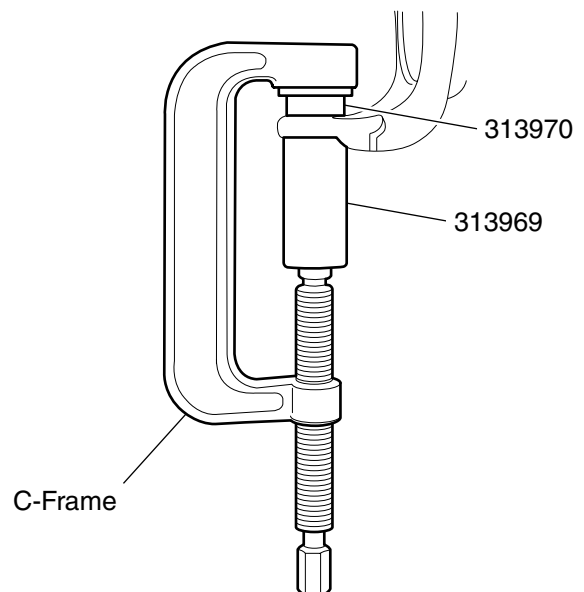


Figure 2. Ball Joint Installation

Component: Upper-Front

Application:

Dodge Ram 1500 4WD 1994-1999
Dodge Ram 1500 4WD w/216 FBI axle 2000-2001
Dodge Ram 1500 4WD w/248 FBI axle 2000-2001
Dodge Ram 2500 4WD w/Dana 44 axle 1994-1999

Jeep Cherokee 1990-2001
Jeep Cherokee (RHD) 1996-1998
Jeep Grand Cherokee 1996-2004
Jeep Wrangler 1987-2008

REMOVAL:

1. Remove the dust boot.
2. Position 313968 over the stem of the ball joint.
3. Position 313967 and the C-Frame as shown in Figure 1.
4. Turn the forcing screw until it meets the ball joint. Check the alignment of all components.
5. Tighten the forcing screw until the ball joint is removed.

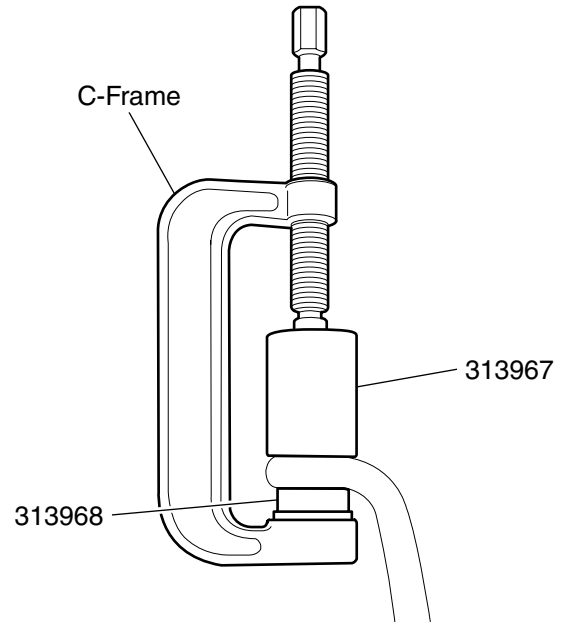


Figure 1. Ball Joint Removal

INSTALLATION:

1. Clean the control arm ball joint bore.
2. Insert the new ball joint as straight as possible into the control arm.
3. Position 313969 on the ball joint as shown in Figure 2.
4. Position 313970 and the C-Frame and tighten the forcing screw.
5. Check the alignment of all the components and continue tightening the forcing screw until the ball joint is firmly seated.
6. Install a new dust boot.

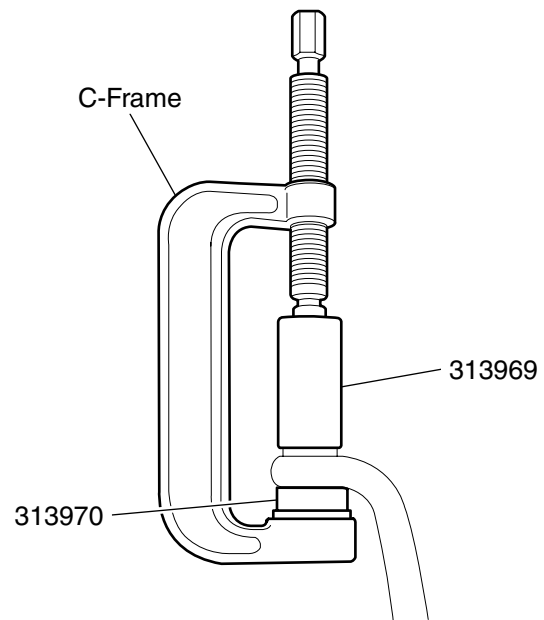


Figure 2. Ball Joint Installation

Component: Lower-Front

Application:

Dodge Ram 2500 2WD 2003-2008

REMOVAL:

1. Remove the snap ring.
2. Position 313444 over the stem of the ball joint.
3. Position the C-Frame as shown in Figure 1.
4. Turn the forcing screw until it meets the ball joint. Check the alignment of all components.
5. Tighten the forcing screw until the ball joint is removed.

Dodge Ram 3500 2WD 2003-2008

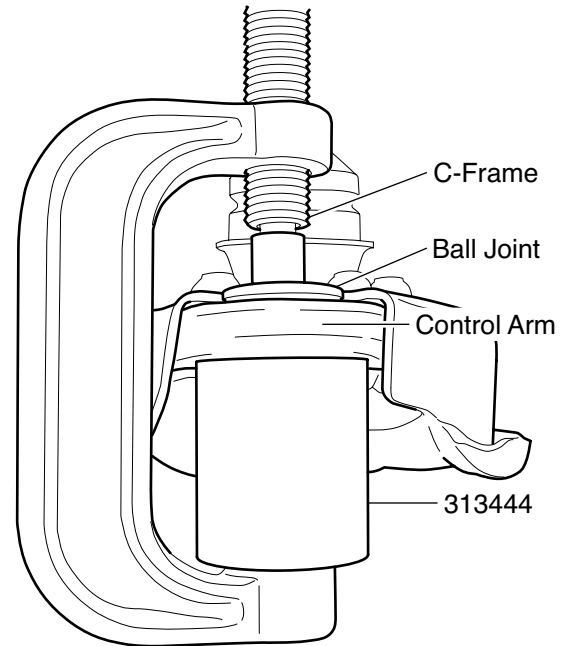


Figure 1. Ball Joint Removal

INSTALLATION:

1. Clean the control arm ball joint bore.
2. Insert the new ball joint as straight as possible into the control arm.
3. Position 29504 and 305227 (or 39976 alone) on the ball joint as shown in Figure 2.
4. Position 204508A and the C-Frame and tighten the forcing screw.
5. Check the alignment of all the components and continue tightening the forcing screw until the ball joint is firmly seated.
6. Install a new snap ring.

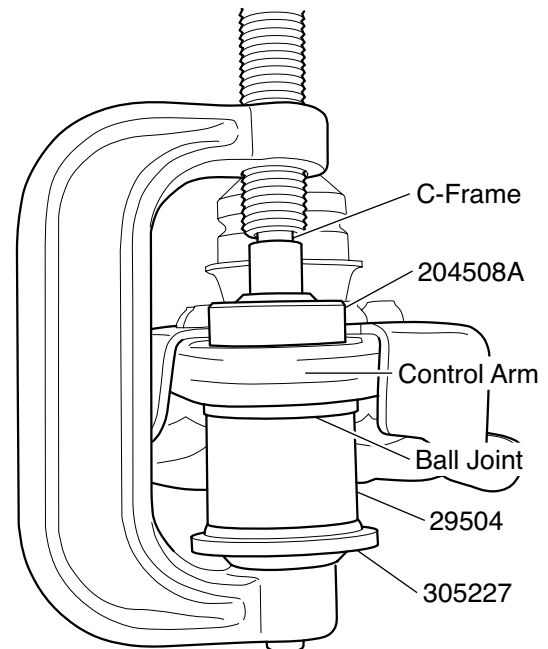


Figure 2. Ball Joint Installation

Component: Lower-Front

Application:

Dodge Ram 2500 4WD With Dana 60 axle 1994-1999

Dodge Ram 3500 4WD With Solid front axle 1994-1999

Dodge Ram 3500 4WD 1996-1999

REMOVAL:

1. Position 222305 and 305227 over the stem of the ball joint.
2. Position the C-Frame as shown in Figure 1.
3. Turn the forcing screw until it meets the ball joint. Check the alignment of all components.
4. Tighten the forcing screw until the ball joint is removed.

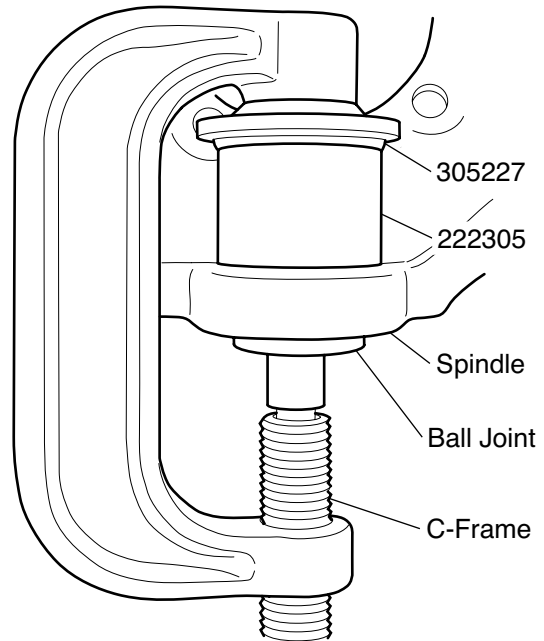


Figure 1. Ball Joint Removal

INSTALLATION:

Note: If replacing both upper and lower ball joint at the same time, remove and install the upper ball joint before installing the lower ball joint.

1. Clean the control arm ball joint bore.
2. Insert the new ball joint as straight as possible into the control arm.
3. Position 38354 on the ball joint as shown in Figure 2.
4. Position 204508A (or 222304 and 305228) and the C-Frame and tighten the forcing screw.
5. Check the alignment of all the components and continue tightening the forcing screw until the ball joint is firmly seated.
6. Install a new snap ring and grease fitting, if equipped.

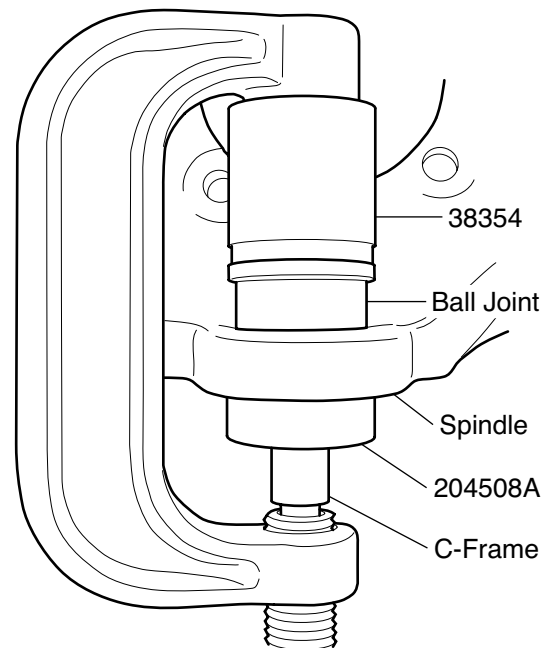


Figure 2. Ball Joint Installation

Component: Upper-Front

Application:

Dodge Ram 2500 4WD With Dana 60 axle 1994-1999
Dodge Ram 3500 4WD With Solid front axle 1994-1999
Dodge Ram 3500 4WD 1996-1999

REMOVAL:

Note: The lower ball joint must be removed before the upper ball joint can be serviced.

1. Position 29504 or 222305 and 305227 over the stem of the ball joint.
2. Position the C-Frame as shown in Figure 1.
3. Turn the forcing screw until it meets the ball joint. Check the alignment of all components.
4. Tighten the forcing screw until the ball joint is removed.

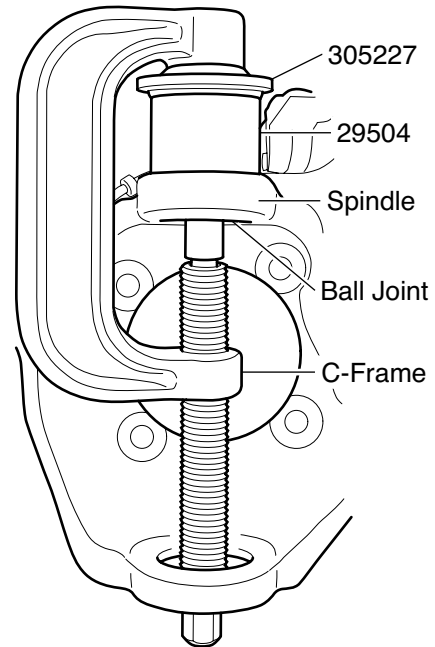


Figure 1. Ball Joint Removal

INSTALLATION:

Note: If replacing both upper and lower ball joint at the same time, remove and install the upper ball joint before installing the lower ball joint.

1. Clean the control arm ball joint bore.
2. Insert the new ball joint as straight as possible into the control arm.
3. Position 29505 and 305227 on the ball joint as shown in Figure 2.
4. Position 204508A and the C-Frame and tighten the forcing screw.
5. Check the alignment of all the components and continue tightening the forcing screw until the ball joint is firmly seated.
6. Install a new dust boot.

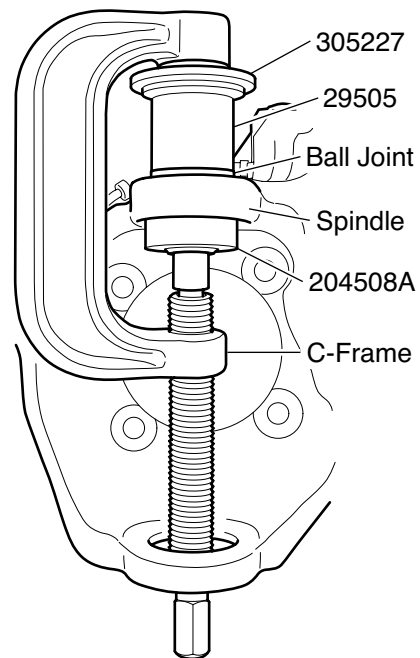


Figure 2. Ball Joint Installation

Component: Lower-Front

Application:

Dodge Ram 2500 4WD 2000-2008

Dodge Ram 3500 2WD With Solid front axle 2000-2002

Dodge Ram 3500 4WD 2000-2008

REMOVAL:

1. Remove the dust boot.
2. Position 555570 over the stem of the ball joint.
3. Position 313968, 314392 and the C-Frame as shown in Figure 1.
4. Turn the forcing screw until it meets the ball joint. Check the alignment of all components.
5. Tighten the forcing screw until the ball joint is removed.

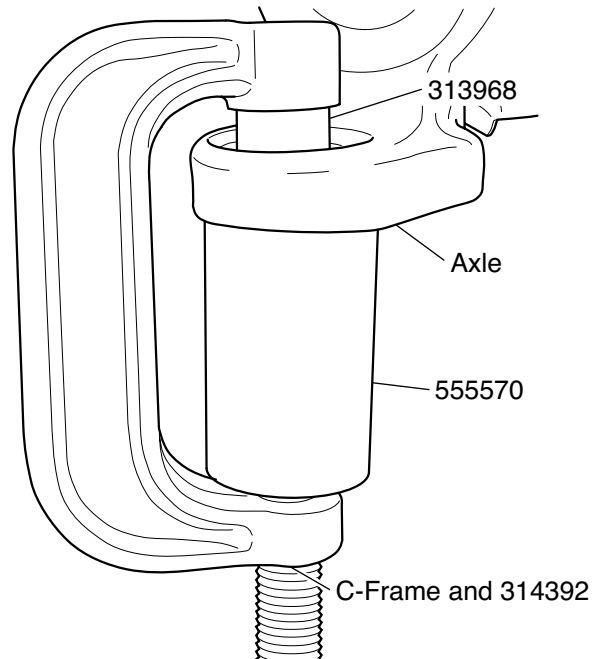


Figure 1. Ball Joint Removal

INSTALLATION:

1. Clean the axle ball joint bore.
2. Insert the new ball joint as straight as possible into the axle.
3. Position 204508A on the ball joint as shown in Figure 2.
4. Position 555379, 314392 and the C-Frame and tighten the forcing screw.
5. Check the alignment of all the components and continue tightening the forcing screw until the ball joint is firmly seated.
6. Install a new dust boot, snap ring and grease fitting, if equipped.

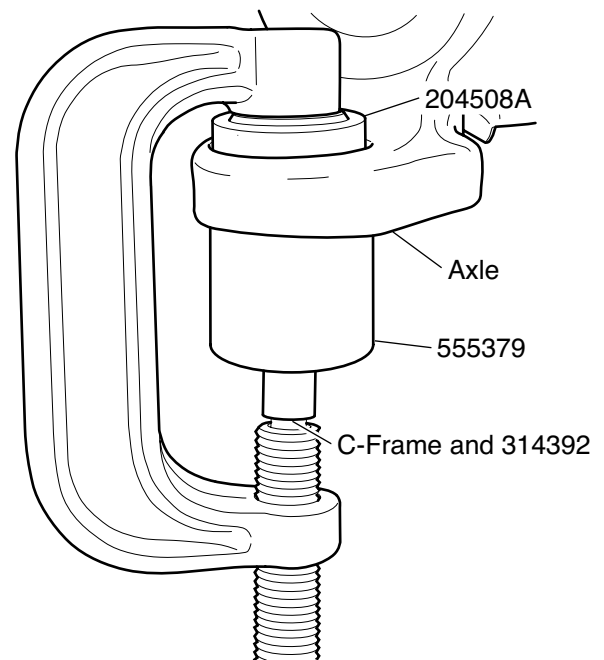


Figure 2. Ball Joint Installation

Component: Upper-Front

Application:

Dodge Ram 2500 4WD 2000-2008

Dodge Ram 3500 2WD With Solid front axle 2000-2002

Dodge Ram 3500 4WD 2000-2008

REMOVAL:

1. Remove the dust boot.
2. Position 29504 (or 222305) and 305228.
3. Position 554415 and the C-Frame as shown in Figure 1 over the stem of the ball joint.
4. Turn the forcing screw until it meets the ball joint. Check the alignment of all components.
5. Tighten the forcing screw until the ball joint is removed.

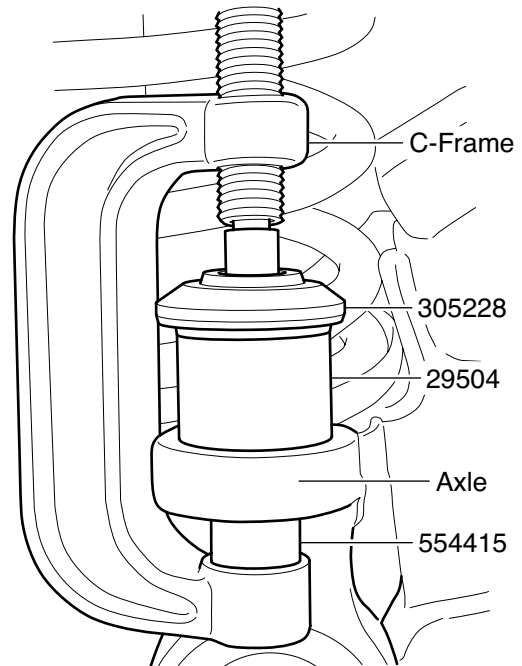


Figure 1. Ball Joint Removal

INSTALLATION:

1. Clean the axle ball joint bore.
2. Insert the new ball joint as straight as possible into the axle.
3. Position 204508A (or 555380) on the ball joint as shown in Figure 2.
4. Position 555379 and the C-Frame and tighten the forcing screw.
5. Check the alignment of all the components and continue tightening the forcing screw until the ball joint is firmly seated.
6. Install a new dust boot, snap ring and grease fitting, if equipped.

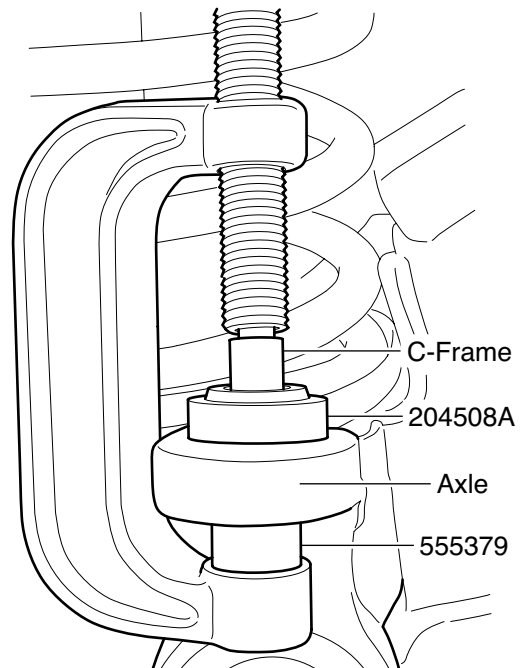


Figure 2. Ball Joint Installation

Component: Lower-Front

Application:

Dodge Ram Van 3500 With 4000 lb. axle 1995-2003

Dodge Ram Van B100/200/300 With Heavy duty suspension 1972-1980

Dodge Ram Van B150/250/350 With Heavy duty suspension 1981-1994

REMOVAL:

1. Remove the dust boot.
2. Position 555376 over the stem of the ball joint.
3. Position 29503, 305228 and the C-Frame as shown in Figure 1.
4. Turn the forcing screw until it meets the ball joint. Check the alignment of all components.
5. Tighten the forcing screw until the ball joint is removed.

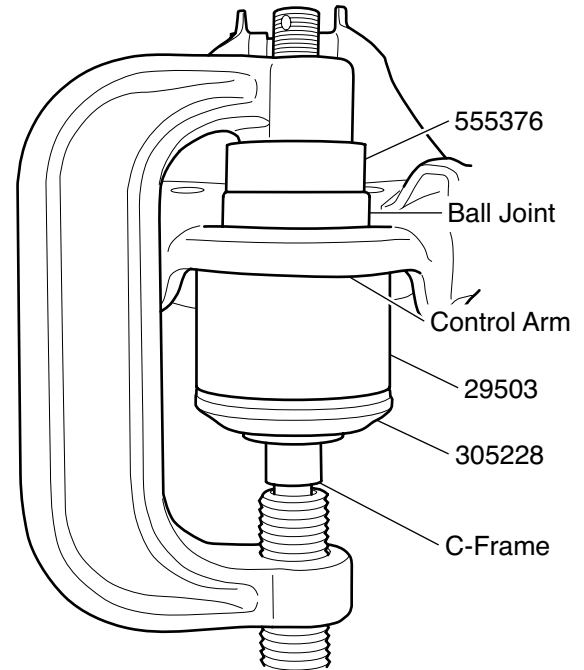


Figure 1. Ball Joint Removal

INSTALLATION:

1. Clean the control arm ball joint bore.
2. Insert the new ball joint as straight as possible into the control arm.
3. Position 29503 and 305227 on the ball joint as shown in Figure 2.
4. Position 554417 and the C-Frame and tighten the forcing screw.
5. Check the alignment of all the components and continue tightening the forcing screw until the ball joint is firmly seated.
6. Install a new dust boot and grease fitting, if equipped.

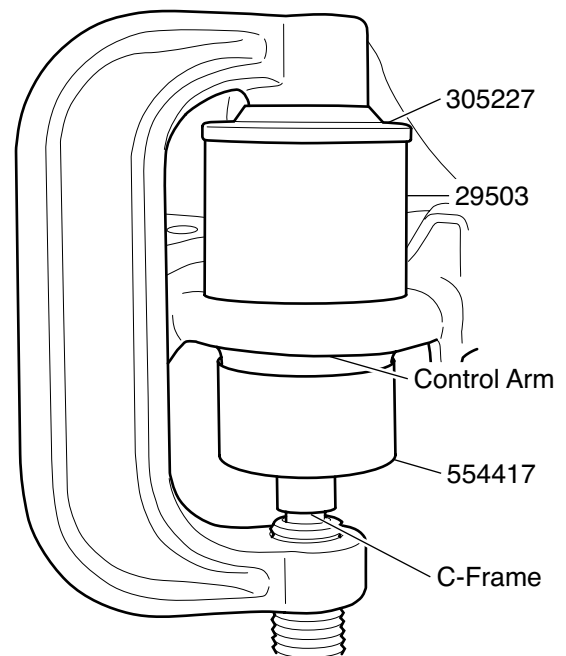


Figure 2. Ball Joint Installation

Component: Lower-Front

Application:

Dodge Sprinter 2500/3500 2003-2008

REMOVAL:

1. Position 222307 and 305227 over the stem of the ball joint.
2. Position the C-Frame as shown in Figure 1.
3. Turn the forcing screw until it meets the ball joint. Check the alignment of all components.
4. Tighten the forcing screw until the ball joint is removed.

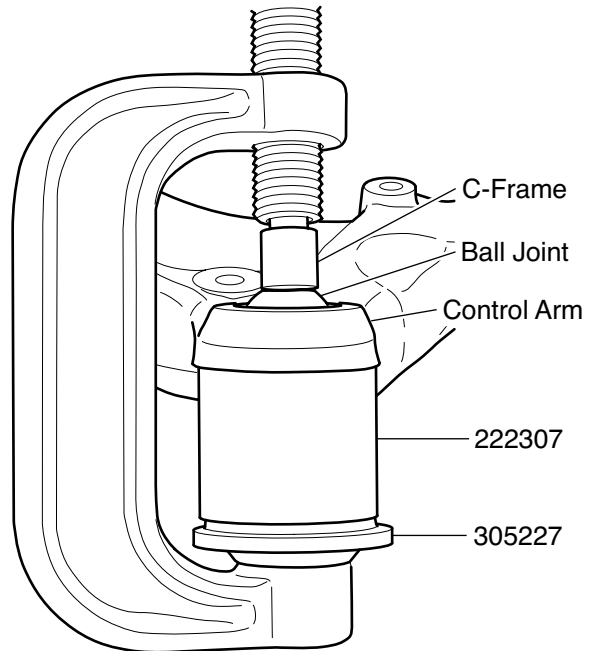


Figure 1. Ball Joint Removal

INSTALLATION:

1. Clean the control arm ball joint bore.
2. Insert the new ball joint as straight as possible into the control arm.
3. Position 29504 and 305227 on the ball joint as shown in Figure 2.
4. Position 204508A (or 39976) and the C-Frame and tighten the forcing screw.
5. Check the alignment of all the components and continue tightening the forcing screw until the ball joint is firmly seated.

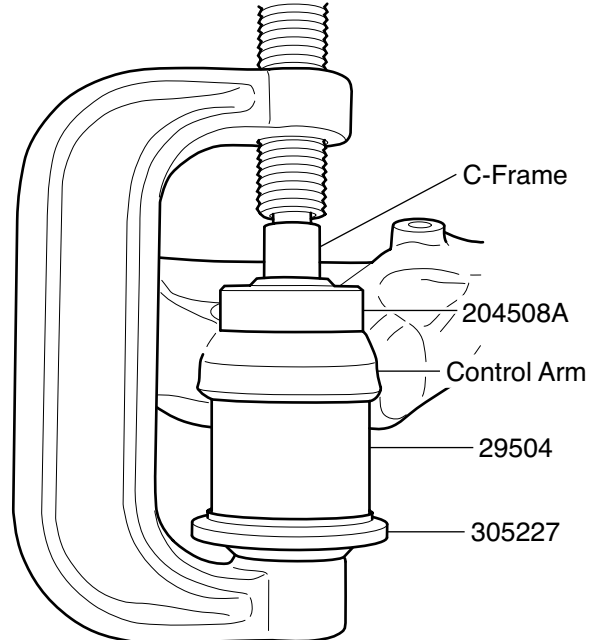


Figure 2. Ball Joint Installation

Component: Upper-Front

Application:

Jeep Commander 2WD/4WD 2006-2009

Jeep Grand Cherokee 2WD/4WD 2005-2009

REMOVAL:

1. Remove the dust boot.
2. Position 555377 on the ball joint.
3. Position 555610, 314392 and the C-Frame as shown in Figure 1.
4. Turn the forcing screw until it meets the ball joint. Check the alignment of all components.
5. Tighten the forcing screw until the ball joint is removed.

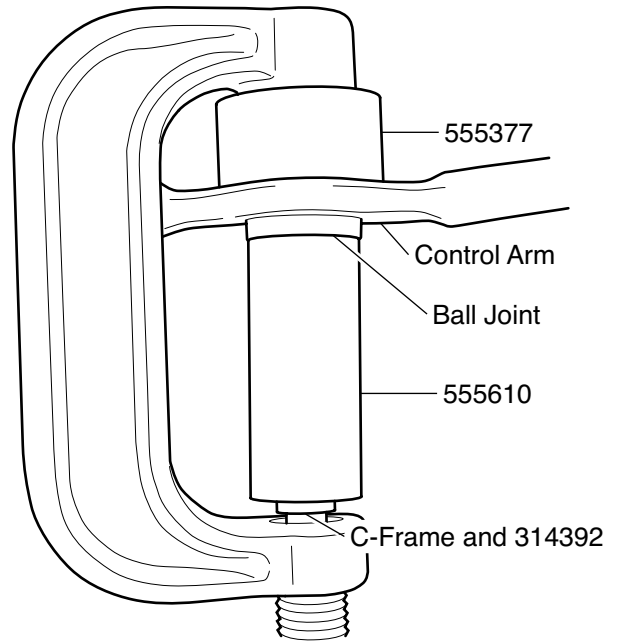


Figure 1. Ball Joint Removal

INSTALLATION:

Note: Verify the ball joint shank does not hit the bottom of the ball joint installing adapter during installation.

1. Clean the control arm ball joint bore.
2. Insert the new ball joint as straight as possible into the control arm.
3. Position 554414 on the ball joint as shown in Figure 2.
4. Position 554592, 314392 and the C-Frame and tighten the forcing screw.
5. Check the alignment of all the components and continue tightening the forcing screw until the ball joint is firmly seated.
6. Install a new snap ring.

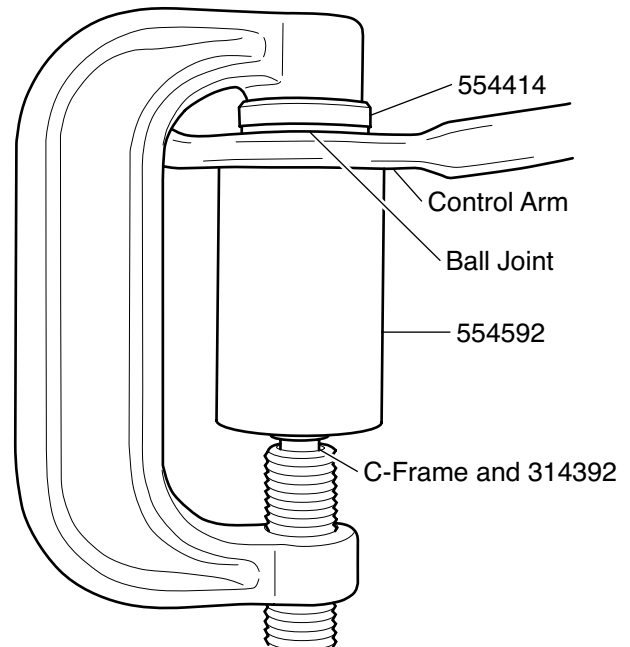


Figure 2. Ball Joint Installation

Component: Lower-Front

Application:

Jeep Compass 2WD/4WD 2007-2008

REMOVAL:

1. Remove the dust boot.
2. Position 313968 over the stem of the ball joint.
3. Position 313969 on the control arm.
4. Position the C-Frame.
5. Turn the forcing screw until it meets the ball joint. Check the alignment of all components.
6. Tighten the forcing screw until the ball joint is removed.

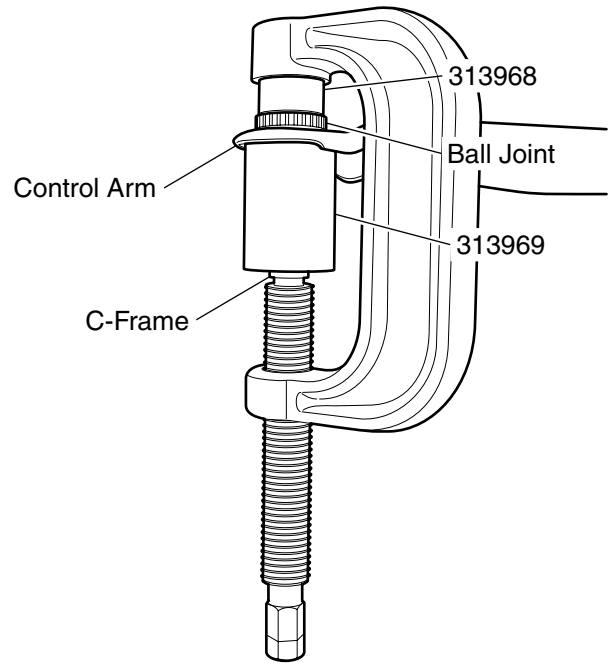


Figure 1. Ball Joint Removal

INSTALLATION:

1. Clean the control arm ball joint bore.
2. Insert the new ball joint as straight as possible into the control arm.
3. Position 554415 and 313969 on the ball joint as shown in Figure 2.
4. Position the C-Frame and tighten the forcing screw.
5. Check the alignment of all the components and continue tightening the forcing screw until the ball joint is firmly seated.

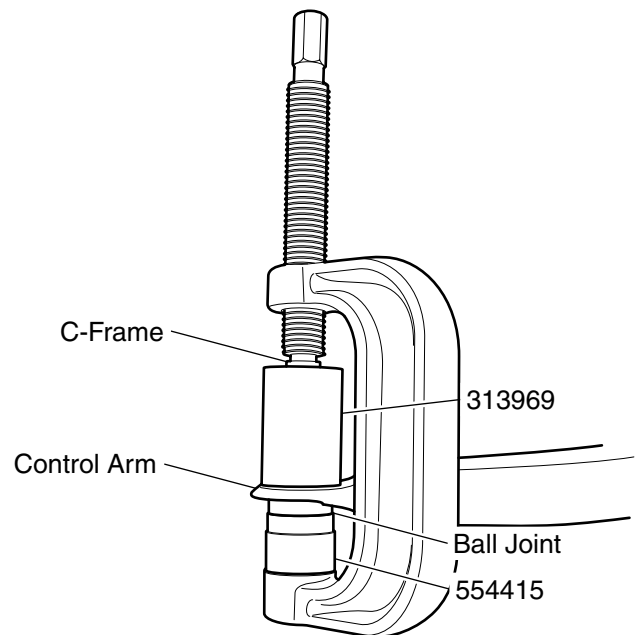


Figure 2. Ball Joint Installation

Component: Lower-Front

Application:

Jeep Liberty 2WD/4WD 2002-2007

REMOVAL:

1. Remove the dust boot.
2. Position 555611 over the stem of the ball joint.
3. Position 555612, 314392 and the C-Frame as shown in Figure 1.
4. Turn the forcing screw until it meets the ball joint. Check the alignment of all components.
5. Tighten the forcing screw until the ball joint is removed.

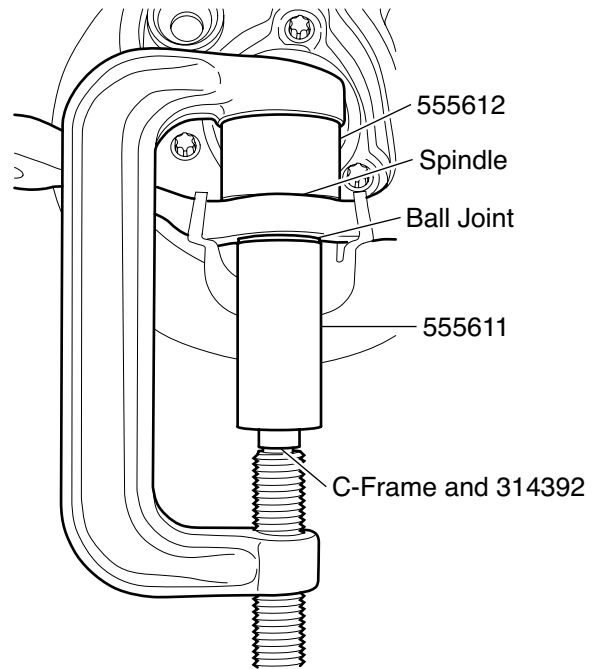


Figure 1. Ball Joint Removal

INSTALLATION:

1. Clean the spindle ball joint bore.
2. Insert the new ball joint as straight as possible into the spindle.
3. Position 313967 on the ball joint as shown in Figure 2.
4. Position 314392 and the C-Frame and tighten the forcing screw.
5. Check the alignment of all the components and continue tightening the forcing screw until the ball joint is firmly seated.

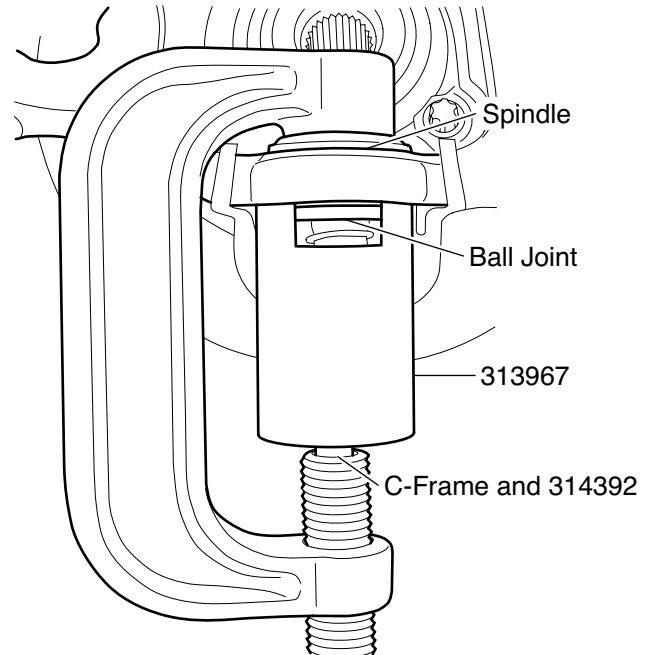


Figure 2. Ball Joint Installation

Component: Upper-Front

Application:

Mitsubishi Mighty Max 1983-1996

REMOVAL:

1. Remove the dust boot and snap ring.
2. Position 531739 on control arm.
3. Position 538590 over the stem of the ball joint.
4. Position C-Frame and 314392 as shown in Figure 1.
5. Turn the forcing screw until it meets the ball joint. Check the alignment of all components.
6. Tighten the forcing screw until the ball joint is removed.

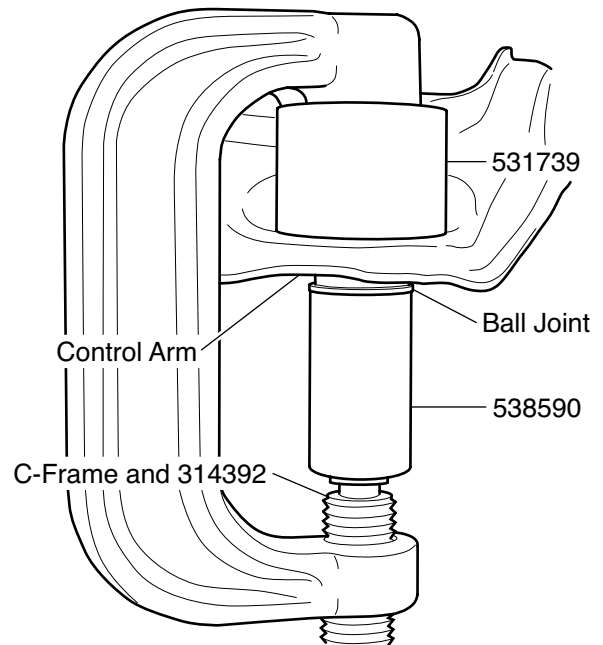


Figure 1. Ball Joint Removal

INSTALLATION:

1. Clean the control arm ball joint bore.
2. Insert the new ball joint as straight as possible into the control arm.
3. Position 554414 and 38355A on the ball joint as shown in Figure 2.
4. Position C-Frame and 314392 and tighten the forcing screw.
5. Check the alignment of all the components and continue tightening the forcing screw until the ball joint is firmly seated.
6. Install new snap ring, dust boot and grease fitting, if equipped.

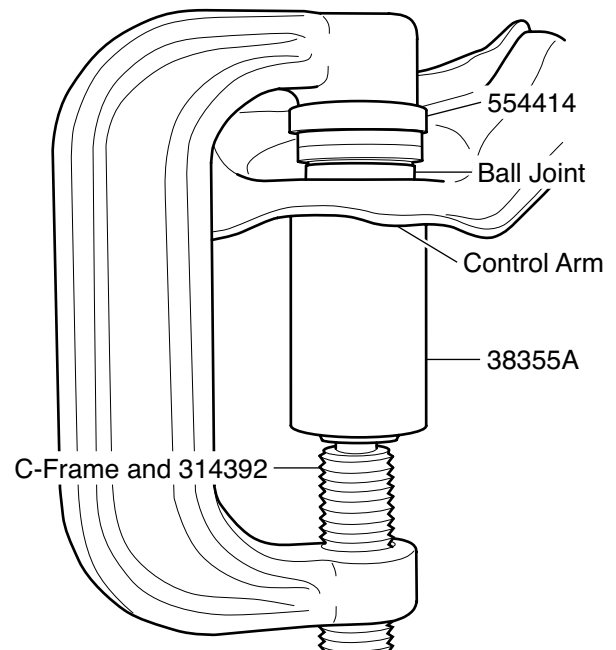


Figure 2. Ball Joint Installation

BRAKE ANCHOR PIN REMOVAL:

1. Remove all lock ring retainers from the brake anchor pins.
2. Position the C-Frame over the brake spider as shown in Figure 1.
3. Tighten the forcing screw until the anchor pin is removed.

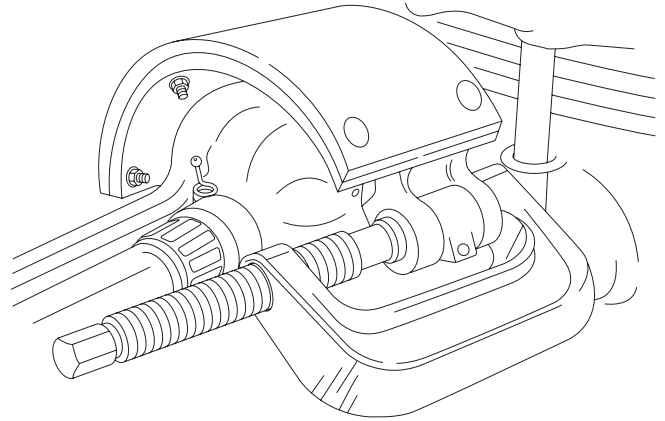


Figure 1. Brake Anchor Pin Removal

U-JOINT DISASSEMBLY AND ASSEMBLY:

The basic C-Frame is used to service the U-Joints on most cars and light trucks. The U-Joints can be serviced either on or off the vehicle.

Disassembly:

1. Remove any external/internal lock rings.
2. Position the C-Frame around the driveshaft yoke. Tighten the forcing screw until the first bearing is removed.
3. Position the C-Frame on the second bearing and tighten the forcing screw until the second bearing is removed.

Assembly:

1. Clean all dirt and oil from the yoke area.
2. Align the new bearing and C-Frame as straight as possible over the yoke. Press the new bearing into the yoke and install the new lock rings.
3. Position the C-Frame and second bearing as straight as possible over the yoke and press the bearing into the yoke and install the new lock rings.

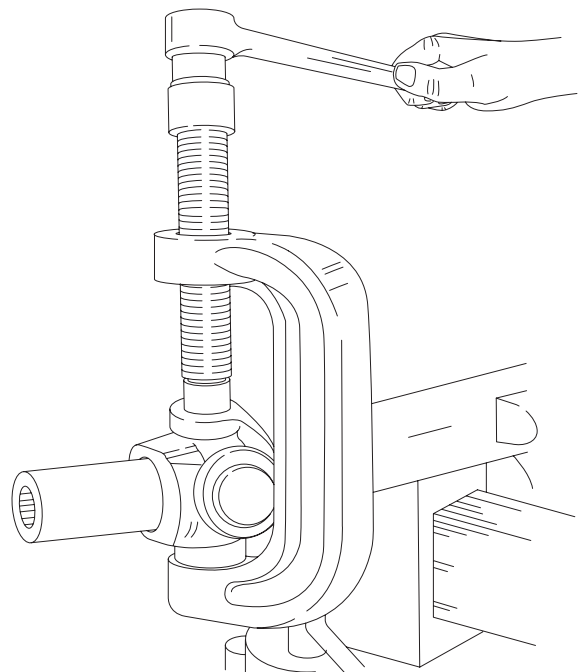


Figure 2. U-Joint Removal and Installation



BALL JOINT QUICK REFERENCE

Make	Model	Year	OEM Kit P/N	Make	Model	Year	OEM Kit P/N
Acura	CL 2.2L	1997	6529-5	Chevrolet	3500 4WD	1996-1999	6539-4
	CL 2.3L	1998-1999	6529-5		Astro 2WD	1985-2005	6539-4
	CL 3.0L	1997-1999	6529-5		Avalanche 1500 2WD/4WD	2002-2008	6539-4
	CL 3.2L	2001-2003	6529-5		Avalanche 2500 2WD/4WD	2002-2006	6539-4
	Integra	1994-2001	6529-5		Blazer 2WD	1982-2005	6539-4
	MDX	2001-2006	6539-1		Camaro	1993-2002	6529-4
	RL 3.5L	1996-2008	6529-5		Caprice	1991-1996	6529-4
	RSX	2002-2006	6529-5		Corvette	1984-2004	6529-4
	TL 2.5L	1996-1999	6529-5		Express 1500	1996-2008	6539-4
	TL 3.2L	1996-2008	6529-5		Express 2500	1996-2008	6539-4
	TSX	2004-2008	6529-5		Express 3500	2003-2008	6539-4
BMW	3 Series (318, 323, 328, M3)	1992-1999	6529-1	G10	1971-1995	6539-4	
Buick	LeSabre	1986-1999	6529-4	G20	1973-1995	6539-4	
	Park Avenue	1991-1997	6529-4	G30	1973-1996	6539-4	
	Rainier	2004-2007	6539-4	Impala	1994-1996	6529-4	
	Roadmaster	1991-1996	6529-4	S-10 2WD	1982-2005	6539-4	
Cadillac	CTS	2003-2008	6529-4	Silverado 1500 2WD/4WD	1999-2007	6539-4	
	DeVille	1996-1999	6529-4	Silverado 1500 HD 2WD/4WD	2001-2007	6539-4	
	Escalade	1999-2007	6539-4	Silverado 2500 & 2500 HD 4WD	1999	6539-4	
	Fleetwood	1991-1996	6529-4	Silverado 2500 2WD	1999-2000	6539-4	
Chevrolet	1500 2WD	1991-2000	6539-4	Silverado 2500 2WD/4WD	2001-2007	6539-4	
	1500 4WD	1996-1999	6539-4	Silverado 2500 4WD	2000	6539-4	
	2500 2WD	1991-2000	6539-4	Silverado 2500 HD 2WD/4WD	2001-2008	6539-4	
	2500 4WD	1996-1999	6539-4	Silverado 3500 2WD/4WD	2001-2008	6539-4	
	30 Motorhome With IFS	1973-1997	6539-4	SSR	2003-2006	6539-4	
	30 Step Van With IFS	1973-1997	6539-4	Suburban 1500 2WD	1992-1999	6539-4	
	3500 2WD With IFS	1991-2000	6539-4	Suburban 1500 2WD/4WD	2000-2008	6539-4	



BALL JOINT QUICK REFERENCE

Make	Model	Year	OEM Kit P/N	Make	Model	Year	OEM Kit P/N
Chevrolet	Suburban 1500 4WD	1996-1999	6539-4	Dodge	Dakota 2WD/4WD	2005-2009	6539-2
	Suburban 2500 2WD	1992-2000	6539-4		Dakota 4x4	1987-2004	6539-2
	Suburban 2500 2WD/4WD	2001-2008	6539-4		Durango 4x2/4x4	2004-2008	6539-2
	Suburban 2500 4WD	1996-2000	6539-4		Durango 4x4	1998-2003	6539-2
	Tahoe 2WD	1995-2000	6539-4		Grand Caravan	1988-2007	6539-2
	Tahoe 2WD/4WD	2001-2008	6539-4		Magnum RWD	2005-2008	6529-2
	Tahoe 4WD	1996-2000	6539-4		Neon	1995-2005	6529-2
	Trailblazer 2WD/4WD	2002-2008	6539-4		Nitro 4x2/4x4	2007-2009	6539-2
	Trailblazer EXT 2WD/4WD	2003-2007	6539-4		Ram 1500 4x2	1994-1999	6539-2
Chrysler	300C RWD	2005-2008	6529-2	Ram 1500 4x2/4x4	2000-2008	6539-2	
	Aspen 2WD/4WD	2007-2008	6539-2	Ram 2500 4x2	1994-2008	6539-2	
	Cirrus	1995-2000	6529-2	Ram 2500 4x4	1994-2008	6539-2	
	Grand Voyager	2000	6539-2	Ram 3500 4x2	1994-2008	6539-2	
	Pacifica FWD/AWD	2005-2008	6539-2	Ram 3500 4x4	1996-2008	6539-2	
	PT Cruiser	2001-2008	6529-2	Ram SRT-10	2004-2006	6539-2	
	Sebring Convertible	1996-2008	6529-2	Ram Van 1500	1995-2003	6539-2	
	Sebring Coupe	2001-2005	6529-2	Ram Van 2500	1995-2003	6539-2	
	Sebring Sedan	1996-2008	6529-2	Ram Van 3500	1995-2003	6539-2	
	Town & Country	1990-2008	6539-2	Ram Van B100	1971-1980	6539-2	
	Voyager	2000-2003	6539-2	Ram Van B150	1981-1994	6539-2	
	Dodge	Avenger	2008	6529-2	Ram Van B200	1971-1980	6539-2
Caliber		2007-2008	6529-2	Ram Van B250	1981-1994	6539-2	
Caravan		1984-2006	6539-2	Ram Van B300	1971-1980	6539-2	
Challenger		2008	6529-2	Ram Van B350	1981-1994	6539-2	
Charger RWD		2005-2008	6529-2	Sprinter 2500	2003-2008	6539-2	
Colt		1984-1994	6539-2	Sprinter 3500	2003-2008	6539-2	
Dakota 2WD		1987-1996	6539-2	Stratus	1995-2008	6529-2	



BALL JOINT QUICK REFERENCE

Make	Model	Year	OEM Kit P/N	Make	Model	Year	OEM Kit P/N
Eagle	2000 GTX (Canada only)	1991-1993	6529-2	Ford	F-350 2WD	1987-1997	6539-3
	Summit	1991-1996	6529-2		F-350 4WD	1992-1997	6539-3
	Talon	1990-1994	6529-2		Fusion	2006-2008	6529-3
Ford	Aerostar 2WD	1986-1997	6539-3		Mustang	1994-2008	6529-3
	Aerostar 4WD	1986-1997	6539-3		Probe	1989-1997	6529-3
	Bronco	1980-1996	6539-3		Ranger 2WD	1989-2008	6539-3
	Bronco II	1984-1990	6539-3		Ranger 2WD/4WD	1998-2008	6539-3
	Crown Victoria	1995-2008	6529-3		Ranger 4WD	1983-1997	6539-3
	E-150	1992-2008	6539-3		Taurus	1996-2007	6529-3
	E-250, E-350, E-450	1996-2008	6539-3		Thunderbird	1989-1997	6529-3
	Escape 2WD/4WD	2001-2008	6539-3	GMC	1500 2WD	1991-2000	6539-4
	Excursion 2WD	2000-2005	6539-3		1500 4WD	1996-1999	6539-4
	Excursion 4WD	2000-2005	6539-3		2500 2WD	1991-2000	6539-4
	Expedition 2WD/4WD	1997-2008	6539-3		2500 4WD	1996-2000	6539-4
	Explorer 2WD/4WD	1995-2008	6539-3		3500 2WD With IFS	1991-2000	6539-4
	Explorer 4WD	1991-1994	6539-3		3500 4WD	1996-2000	6539-4
	Explorer Sport Trac	2007-2008	6539-3		3500 Motorhome With IFS	1973-1997	6539-4
	Explorer/Sport/Sport Trac 2WD/4WD	2001-2005	6539-3		3500 Step Van With IFS	1973-1997	6539-4
	F-150 2WD	1987-1996	6539-3		Envoy 2WD/4WD	2002-2008	6539-4
	F-150 2WD/4WD	1997-2008	6539-3		G1500	1971-1995	6539-4
F-150 4WD	1980-1996	6539-3	G2500		1973-1995	6539-4	
F-150 Heritage and Lightning	2004	6539-3	G3500		1973-1996	6539-4	
F-250 2WD	1987-1997	6539-3	Jimmy 2WD		1982-2002	6539-4	
F-250 4WD	1980-1997	6539-3	S-15 Sonoma 2WD		1982-2004	6539-4	
F-250 4WD (Under 8500 lb. GVW)	1997-1999	6539-3	Safari 2WD		1985-2005	6539-4	
F-250 Super Duty 2WD With Twin I-Beam Axle	1999-2008	6539-3	Savana 1500		1996-2008	6539-4	
F-250, F-350, F-450, F-550 Super Duty 2WD/4WD	1999-2008	6539-3	Savana 2500		1996-2008	6539-4	



BALL JOINT QUICK REFERENCE

Make	Model	Year	OEM Kit P/N	Make	Model	Year	OEM Kit P/N	
GMC	Savana 3500	1996-2008	6539-4	Honda	Civic	1992-2000	6529-5	
	Sierra 1500 2WD/4WD	1999-2007	6539-4		Civic Del Sol	1993-1997	6529-5	
	Sierra 1500 4WD	1999-2007	6539-4		Civic Del Sol	1993-1997	6529-5	
	Sierra 1500 HD 2WD/4WD	2000-2007	6539-4		Civic Hatchback	2002-2005	6529-5	
	Sierra 2500 2WD/4WD	1999-2004	6539-4		Civic Hatchback Hybrid	2003-2005	6529-5	
	Sierra 2500 HD 2WD/4WD	2001-2008	6539-4		Civic Sedan & Coupe	2001-2005	6529-5	
	Sierra 3500 2WD/4WD	2001-2008	6539-4		Civic Sedan & Coupe Hybrid	2003-2005	6529-5	
	Sierra Denali	2002-2007	6539-4		CR-V	1997-2001	6539-1	
	Suburban 1500 2WD	1992-1999	6539-4		CR-V	1997-2001	6539-1	
	Suburban 1500 4WD	1996-1999	6539-4		CR-V	2002-2006	6539-1	
	Suburban 2500 2WD	1992-1999	6539-4		Element	2003-2008	6539-1	
	Suburban 2500 4WD	1996-1999	6539-4		Odyssey	1994-1998	6539-1	
	Yukon	2001-2007	6539-4		Odyssey	1995-1998	6539-1	
	Yukon 2WD	1995-2000	6539-4		Odyssey	1999-2006	6539-1	
	Yukon 4WD	1996-2000	6539-4		Pilot	2003-2006	6539-1	
	Yukon Denali	1999-2000	6539-4		Prelude	1992-1999	6529-5	
	Yukon Denali & Denali XL	2001-2005	6539-4		Hummer	H2	2003-2008	6539-4
	Yukon XL 1500	2000-2007	6539-4		Hyundai	Accent	1995-2005	6529-6
	Yukon XL 2500	2000-2008	6539-4			Elantra	1996-2006	6529-6
				SantaFe		2001-2008	6539-1	
Honda	Accord	1990-1997	6529-5		Sonata	1995-1998	6529-6	
	Accord	1994-1997	6529-5		Tiburon	1997-2008	6529-6	
	Accord Hybrid	2005-2006	6529-5	Infiniti	G20	1991-1996	6529-6	
	Accord Hybrid	2005-2006	6529-5		I30	1996-2001	6529-6	
	Accord Sedan & Coupe	1998-2002	6529-5		I35	2002-2004	6529-6	
	Accord Sedan & Coupe	1998-2008	6529-5		QX56	2004-2006	6539-1	
	Accord Sedan & Coupe	2003-2008	6529-5					
	Civic	1992-2000	6529-5	Isuzu	Ascender 2WD/4WD	2003-2008	6539-1	



BALL JOINT QUICK REFERENCE

Make	Model	Year	OEM Kit P/N	Make	Model	Year	OEM Kit P/N
Isuzu	Hombre 2WD	1996-2000	6539-1	Mazda	B-2300 4WD	1995-1997	6539-3
	Oasis	1996-1999	6539-1		B-2300 4WD With Torsion Bar Suspension	2001	6539-3
Jeep	Cherokee	1990-2001	6539-2		B-2500 2WD With Coil Spring Suspension	1998-2001	6539-3
	Cherokee (RHD)	1996-1998	6539-2		B-2500 2WD/4WD With Torsion Bar Suspension	1998-2001	6539-3
	Commander 2WD/4WD	2006-2009	6539-2		B-2500 4WD With Torsion Bar Suspension	1998-2001	6539-3
	Compass 2WD	2007-2008	6539-2		B-3000 2WD	1994-1996	6539-3
	Compass 4WD	2007-2008	6539-2		B-3000 2WD With Coil Spring Suspension	1998-2004	6539-3
	Grand Cherokee	1993-2004	6539-2		B-3000 2WD With Torsion Bar Suspension	1998-2001	6539-3
	Grand Cherokee 2WD/4WD	2005-2009	6539-2		B-3000 2WD/4WD With Torsion Bar Suspension	1998-2007	6539-3
	Grand Wagoneer	1993-1994	6539-2		B-3000 4WD	1994-1996	6539-3
	Liberty 2WD/4WD	2002-2009	6539-2	B-3000 4WD With Torsion Bar Suspension	1998-2001	6539-3	
	Wrangler	1987-2008	6539-2	B-4000 2WD	1994-1997	6539-3	
Kia	Spectra	2005-2008	6529-6	B-4000 2WD	1994-2004	6539-3	
	Spectra 5	2006-2008	6529-6	B-4000 2WD/4WD With Torsion Bar Suspension	1998-2008	6539-3	
Lincoln	Aviator 2WD/4WD	2003-2005	6539-3	B-4000 4WD	1994-2001	6539-3	
	Blackwood	2002	6539-3	MX-6	1988-1997	6529-3	
	Continental	1995-2002	6529-3	Navajo 2WD	1992-1994	6539-3	
	Mark VIII	1993-1998	6529-3	Navajo 4WD	1991-1994	6539-3	
	MKZ	2007-2008	6529-3	Mercury	Cougar	1989-1997	6529-3
	Navigator 2WD/4WD	1998-2006	6539-3		Grand Marquis	1995-2008	6529-3
	Town Car	1995-2008	6529-3		Marauder	2003-2004	6529-3
	Zephyr	2006	6529-3		Mariner 2WD/4WD	2005-2008	6539-3
Mazda	626	1983-1997	6529-3		Milan	2006-2008	6529-3
	B-2300 2WD	1994-1997	6539-3		Mountaineer	1997-2008	6539-3
	B-2300 2WD	2001-2004	6539-3		Sable	1996-2005	6529-3
	B-2300 2WD/4WD	2001-2004	6539-3		Tribute 2WD/4WD	2008	6539-3
	B-2300 2WD/4WD	2005-2008	6539-3	Tribute 2WD/4WD	2001-2006	6539-3	



BALL JOINT QUICK REFERENCE

Make	Model	Year	OEM Kit P/N	Make	Model	Year	OEM Kit P/N
Mitsubishi	Eclipse	1990-2005	6529-2	Pontiac	Bonneville	1987-1999	6529-4
	Galant	1985-2008	6529-2		Firebird	1993-2002	6529-4
	Mighty Max	1983-1996	6539-2	Saab	9-7x	2005-2008	6529-6
	Raider	2006-2009	6539-2	Toyota	4-Runner	1996-2002	6539-1
Nissan	200SX	1995-1998	6529-6		Echo	2000-2005	6529-6
	240SX	1994-1998	6529-6		Sequoia	2001-2008	6539-1
	300ZX	1990-1996	6529-6		Tacoma	2005-2008	6539-1
	Altima	1993-2001	6529-6		Tacoma 4WD	1995-2004	6539-1
	Armada	2005-2008	6539-1		Tacoma Prerunner 2WD	1995-2004	6539-1
	D21 Pickup 2WD	1991-1997	6539-1		Tundra	2000-2006	6539-1
	Frontier	1998-2008	6539-1				
	Maxima	1995-2003	6529-6				
	Pathfinder	2005-2008	6539-1				
	Sentra	1991-2006	6529-6				
	Titan	2004-2008	6539-1				
	Versa	2007-2008	6529-6				
	Xterra	2000-2008	6539-1				
Oldsmobile	88	1985-1999	6529-4				
	98	1985-1996	6529-4				
	Bravada 2WD/4WD	2002-2004	6539-4				
	LSS	1996-1999	6529-4				
	Regency	1997-1998	6529-4				
Plymouth	Breeze	1995-2000	6529-2				
	Grand Voyager	1988-2000	6539-2				
	Laser	1990-1994	6529-2				
	Neon	1995-2001	6529-2				
	Voyager	1984-2003	6539-2				