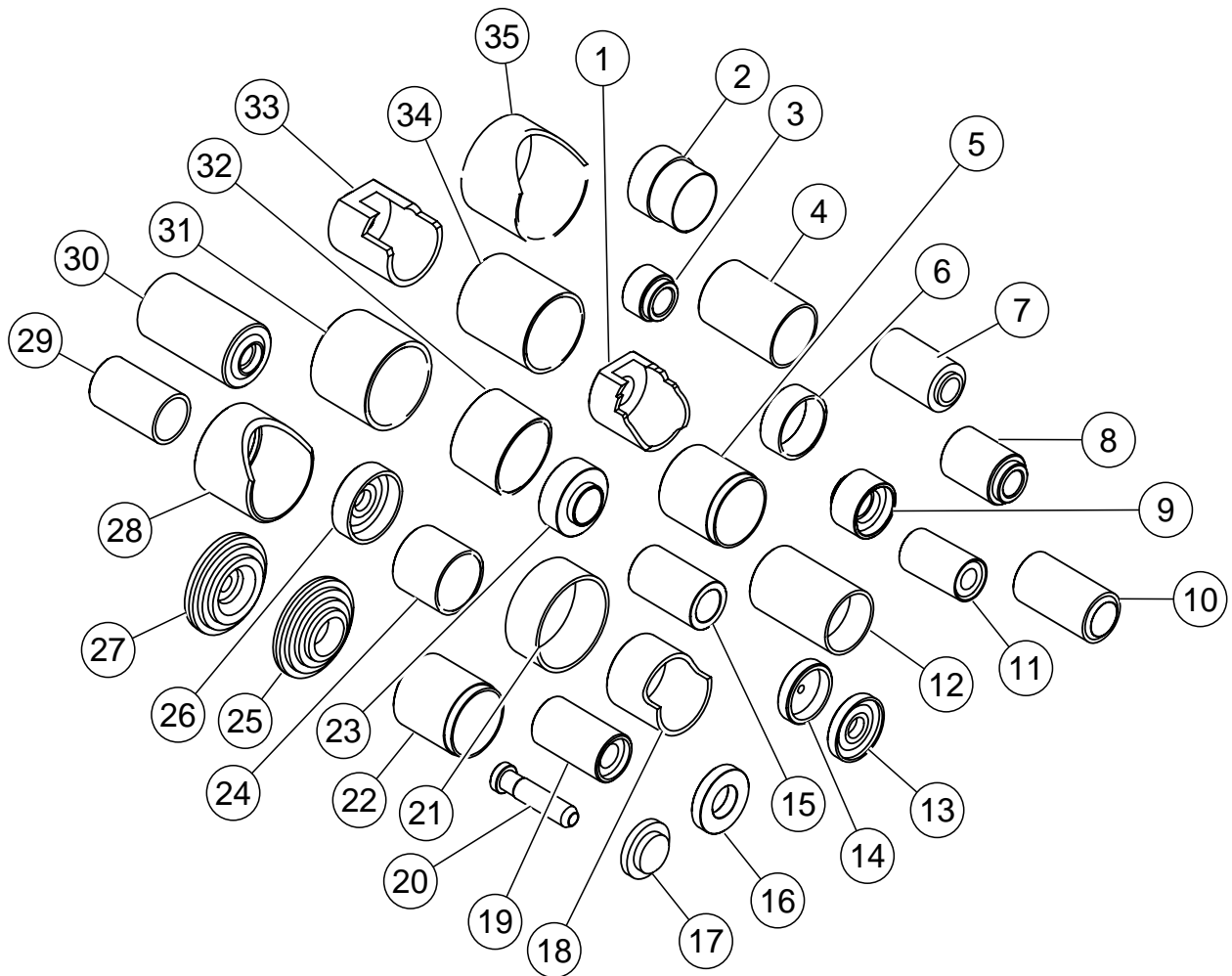


Import Truck Ball Joint Adapter Kit

See Legend next page.



Import Truck Ball Joint Adapter Kit Legend

Item No.	Part No.	Description	Item No.	Part No.	Description	Item No.	Part No.	Description
1	554580	Adapter	13	554414	Adapter	25	305227	Adapter
2	314425	Adapter	14	554403	Adapter	26	204508A	Adapter
3	313968	Adapter	15	554399	Adapter	27	305228	Adapter
4	313969	Adapter	16	555378	Adapter	28	537499	Adapter
5	554413	Adapter	17	314428	Adapter	29	531738	Adapter
6	554422	Adapter	18	554398	Adapter	30	38355A	Adapter
7	314426	Adapter	19	538590	Adapter	31	222307	Adapter
8	537500	Adapter	20	314392	Adapter	32	29504	Adapter
9	554415	Adapter	21	555532	Adapter	33	314427	Adapter
10	538591	Adapter	22	38354	Adapter	34	222305	Adapter
11	554420	Adapter	23	555376	Adapter	35	222306	Adapter
12	554397	Adapter	24	29505	Adapter			

TABLE OF CONTENTS

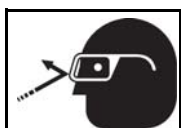
Ball Joint Adapter Kit	1	
Table of Contents	3	
Ball Joint Application Guide	4	
Removal and Installation Instructions		
Acura MDX	2001-2006 Upper-Front 6	
Honda	CRV	1997-2001 Lower-Front
	CRV	1997-2001 Upper-Front 7
	CRV	2002-2006 Lower-Front 8
	Element	2003-2008 Upper-Front 9
	Odyssey	1995-1998 Lower-Front 11
	Odyssey	1994-1998 Upper-Front 10
	Odyssey	1999-2006 Lower-Front 12
	Pilot	2003-2006 Upper-Front 6
Hyundai Santa Fe	2001-2008 Lower-Front 13	
Infiniti QX56	2004-2006 Upper-Front 14	
Isuzu Oasis	1996-1999 Lower-Front 11	
Nissan	Armada	2005-2008 Lower-Front 15
	Armada	2005-2008 Upper-Front 14
	D21 Pickup 2WD	1991-1997 Lower-Front 16
	Frontier	1998-2004 Lower-Front 17
	Frontier	1998-2004 Upper-Front 18
	Frontier	2005-2008 Lower-Front 15
	Frontier	2005-2008 Upper-Front 19
	Pathfinder	2005-2008 Lower-Front 15
	Pathfinder	2005-2008 Upper-Front 19
	Titan	2004-2008 Lower-Front 15
	Titan	2004-2006 Upper-Front 14
	Xterra	2000-2004 Lower-Front 17
	Xterra	2000-2004 Upper-Front 18
	Xterra	2005-2008 Lower-Front 15
	Xterra	2005-2008 Upper-Front 19
Toyota	4-Runner	1996-2002 Upper-Front 20
	Sequoia	2001-2008 Upper-Front 20
	Tacoma	2005-2008 Lower-Front 21
	Tacoma	2005-2008 Upper-Front 22
	Tacoma 4WD	1995-2004 Upper-Front 20
	Tacoma Prerunner 2WD	1995-2004 Upper-Front 20
	Tundra	2000-2006 Upper-Front 20
<hr/>		
Brake Anchor Pin Removal	23	
U-Joint Disassembly and Assembly	23	
<hr/>		
Ball Joint Quick Reference Guide	24	

6539-1 IMPORT TRUCK BALL JOINT ADAPTER APPLICATION CHART

Make	Model	Year	Vehicle Type	Position	Location	OTC Removal Tools	OTC Installation Tools
Acura	MDX	2001-2006	SUV	Lower	Front	313968, 554413	38354 or 305227 & 29505, 204508A & 555378
Honda	CRV	1997-2001	SUV	Lower	Front	554399, 554580, 314392	314428, 554397, 314392
	CRV	1997-2001	SUV	Upper	Front	554399, 554580, 314392	554397, 314428, 314392
	CRV	2002-2006	SUV	Lower	Front	305227 & 314425, 538590, 314392	314428, 38355A, 314392
	Element	2003-2008	SUV	Lower	Front	314427 or 554398, 538590, 314392	554414, 38355A, 314392
	Odyssey	1995-1998	Van	Lower	Front	314427, 314426, 314392	314428, 554397 or 38355A, 314392
	Odyssey	1995-1998	Van	Upper	Front	29505 & 305227, 554420, 314392	38355A, 554414, 314392
	Odyssey	1999-2006	Van	Lower	Front	313968, 313969	305227 & 29505, 554414
	Pilot	2003-2006	SUV	Lower	Front	313968, 554413	38354 or 305227 & 29505, 204508A & 555378
Hyundai	Santa Fe	2001-2008	Truck	Lower	Front	313968, 554413	313969 or 38355A, 554403
Infiniti	QX56	2004-2006	SUV	Upper	Front	38354, 538590, 314392	554414, 38355A, 314392
Isuzu	Ascender 2WD/4WD	2003-2008	SUV	Upper	Front	38354, 531738, 314392	313968, 313969, 314392
	Ascender 2WD/4WD	2003-2008	SUV	Lower	Front	222306 & 305227	38354, 204508S
	Hombre 2WD	1996-2000	Truck	Lower	Front	554415, 29503, 305228, 314392	537499 & 305227, 554417, 314392
	Oasis	1996-1999	Van	Lower	Front	314427, 314426, 314392	314428, 554397 or 38355A, 314392
Nissan	Armada	2005-2008	SUV	Lower	Front	537499 & 305227	554413, 29504 & 305227 or 39976 or 531739
	Armada	2005-2008	SUV	Upper	Front	38354, 538590, 314392	554414, 38355A, 314392
	D21 Pickup 2WD	1991-1997	Truck	Lower	Front	555376, 222307 & 305228	305227 & 29504 or 39976, 555380
	Frontier	1998-2008	Truck	Lower	Front	537499 & 305227	554413, 29504 & 305227 or 39976 or 531739
	Frontier	1998-2004	Truck	Upper	Front	305227 & 555532, 38355A, 314392	204508A, 222305 & 305228, 314392
	Frontier	2005-2008	Truck	Upper	Front	305227 & 29504 or 39976, 538590, 314392	554414, 313967, 314392
	Pathfinder	2005-2008	SUV	Lower	Front	537499 & 305227	554413, 29504 & 305227 or 39976 or 531739
	Pathfinder	2005-2008	SUV	Upper	Front	305227 & 29504 or 39976, 538590, 314392	554414, 313967, 314392
	Titan	2004-2008	Truck	Lower	Front	537499 & 305227	554413, 29504 & 305227 or 39976 or 531739
	Titan	2004-2008	Truck	Upper	Front	38354, 538590, 314392	554414, 38355A, 314392

6539-1 IMPORT TRUCK BALL JOINT ADAPTER APPLICATION CHART

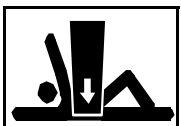
Make	Model	Year	Vehicle Type	Position	Location	OTC Removal Tools	OTC Installation Tools
Nissan	Xterra	2000-2008	SUV	Lower	Front	537499 & 305227	554413, 29504 & 305227 or 39976 or 531739
	Xterra	2000-2004	SUV	Upper	Front	305227 & 555532, 38355A, 314392	204508A, 222305 & 305228, 314392
	Xterra	2005-2008	SUV	Upper	Front	305227 & 29504 or 39976, 538590, 314392	554414, 313967, 314392
Toyota	4-Runner	1996-2002	SUV	Upper	Front	538591, 38354, 314392	38355A, 313968, 314392
	Sequoia	2001-2008	SUV	Upper	Front	538591, 38354, 314392	38355A, 313968, 314392
	Tacoma	2005-2008	Truck	Lower	Front	222307 & 305227	204508A, 29504 & 305227
	Tacoma	2005-2008	Truck	Upper	Front	554478, 538591, 314392	554414 or 305227 & 554422, 38355A, 314392
	Tacoma 4WD	1995-2004	Truck	Upper	Front	538591, 38354, 314392	38355A, 313968, 314392
	Tacoma Prerunner 2WD	1995-2004	Truck	Upper	Front	538591, 38354, 314392	38355A, 313968, 314392
	Tundra	2000-2006	Truck	Upper	Front	538591, 38354, 314392	38355A, 313968, 314392



Safety Precautions

CAUTION: To prevent personal injury:

- Wear protective eyewear that meets the requirements of ANSI Z87.1 and OSHA.
- Before performing any repairs on a vehicle, block all wheels to prevent movement.
- Check the final alignment of tooling and components before using the C-frame press to exert pressure.



Component: Lower-Front

Application:

Acura MDX 2001-2006

REMOVAL:

1. Remove the dust boot and snap ring.
2. Position 313968 over the stem of the ball joint.
3. Position 554413 and the C-Frame as shown in Figure 1.
4. Turn the forcing screw until it meets the ball joint. Check the alignment of all components.
5. Tighten the forcing screw until the ball joint is removed.

Honda Pilot 2003-2006

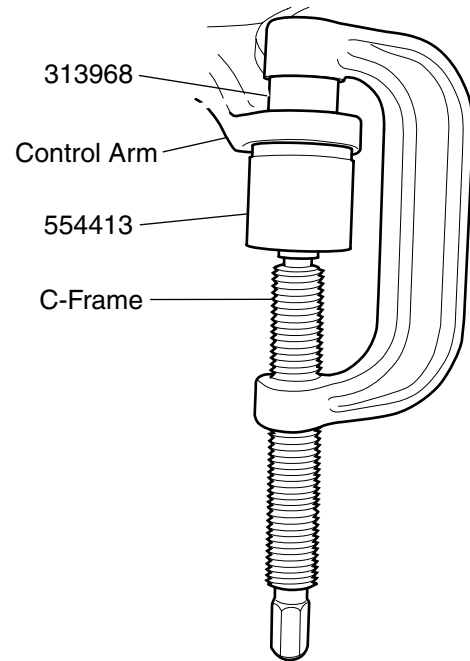


Figure 1. Ball Joint Removal

INSTALLATION:

1. Clean the control arm ball joint bore.
2. Insert the new ball joint as straight as possible into the control arm.
3. Position 38354 (or 29505 and 305227) on the ball joint as shown in Figure 2.
4. Place 555378 inside 204508A.
5. Position 555378, 204508A and the C-Frame and tighten the forcing screw.
6. Check the alignment of all the components and continue tightening the forcing screw until the ball joint is firmly seated.
7. Install a new snap ring and dust boot.

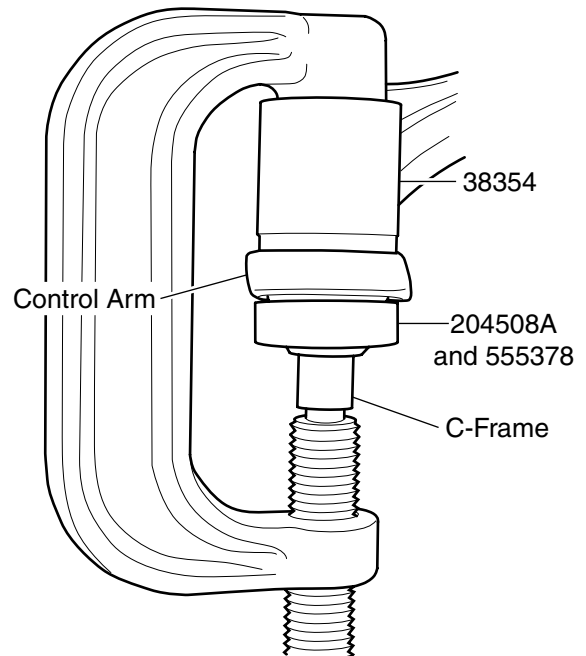


Figure 2. Ball Joint Installation

Component: Upper-Front

Application:

Honda CR-V 1997-2001

REMOVAL:

1. Remove the dust boot and wheel bearing dust ring.
2. Position 554399 over the stem of the ball joint.
3. Position 554580, 314392 and the C-Frame as shown in Figure 1.
4. Turn the forcing screw until it meets the ball joint. Check the alignment of all components.
5. Tighten the forcing screw until the ball joint is removed.

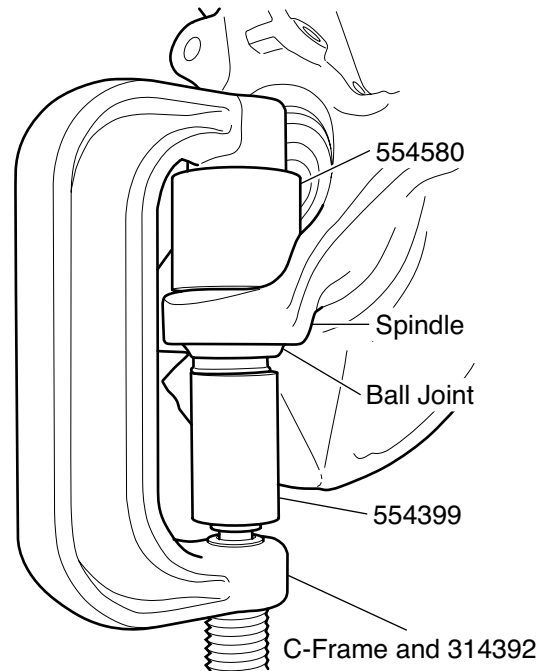


Figure 1. Ball Joint Removal

INSTALLATION:

1. Clean the spindle ball joint bore.
2. Insert the new ball joint as straight as possible into the spindle.
3. Position 554397 and 314428 on the ball joint as shown in Figure 2.
4. Position 314392 and the C-Frame and tighten the forcing screw.
5. Check the alignment of all the components and continue tightening the forcing screw until the ball joint is firmly seated.
6. Install the wheel bearing dust ring.

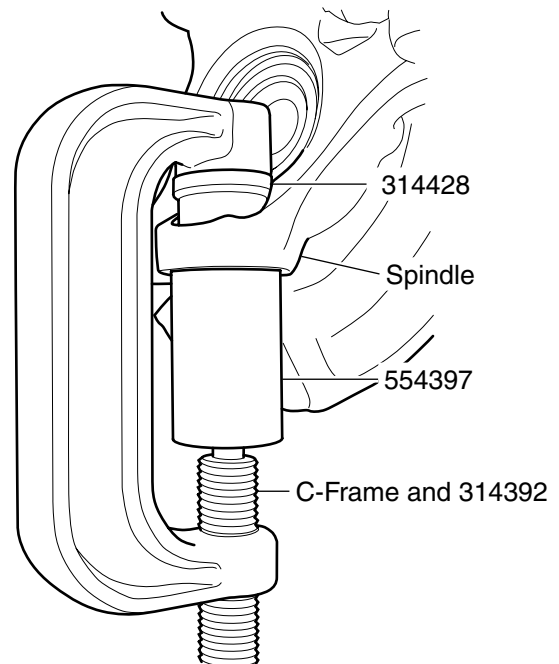


Figure 2. Ball Joint Installation

Component: Lower-Front

Application:

Honda CR-V 2002-2006

REMOVAL:

1. Secure spindle assembly firmly in vise.
2. Remove the dust boot.
3. Position 538590 over the stem of the ball joint.
4. Position 314425, 305227, 314392 and the C-Frame as shown in Figure 1.
5. Turn the forcing screw until it meets the ball joint. Check the alignment of all components.
6. Tighten the forcing screw until the ball joint is removed.

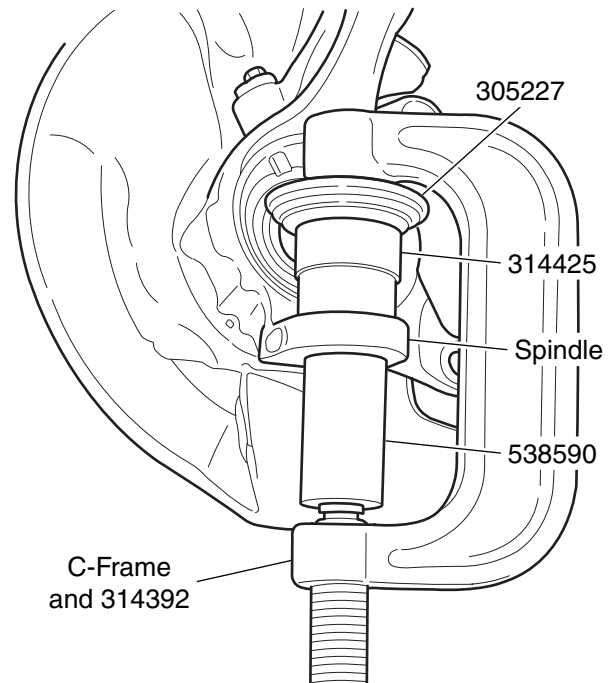


Figure 1. Ball Joint Removal

INSTALLATION:

1. Clean the spindle ball joint bore.
2. Insert the new ball joint as straight as possible into the spindle.
3. Position 38355A and 314428 on the ball joint as shown in Figure 2.
4. Position 314392 and the C-Frame and tighten the forcing screw.
5. Check the alignment of all the components and continue tightening the forcing screw until the ball joint is firmly seated.
6. Install a new dust boot.

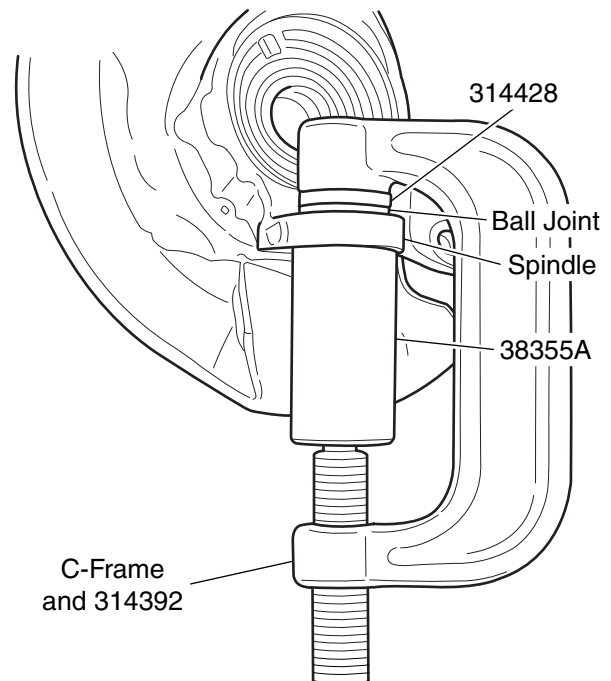


Figure 2. Ball Joint Installation

Component: Upper-Front

Application:

Honda Element 2003-2008

REMOVAL:

1. Remove the dust boot.
2. Position 538590 over the stem of the ball joint.
3. Position 314427 (or 554398), 314392 and the C-Frame as shown in Figure 1.
4. Turn the forcing screw until it meets the ball joint. Check the alignment of all components.
5. Tighten the forcing screw until the ball joint is removed.

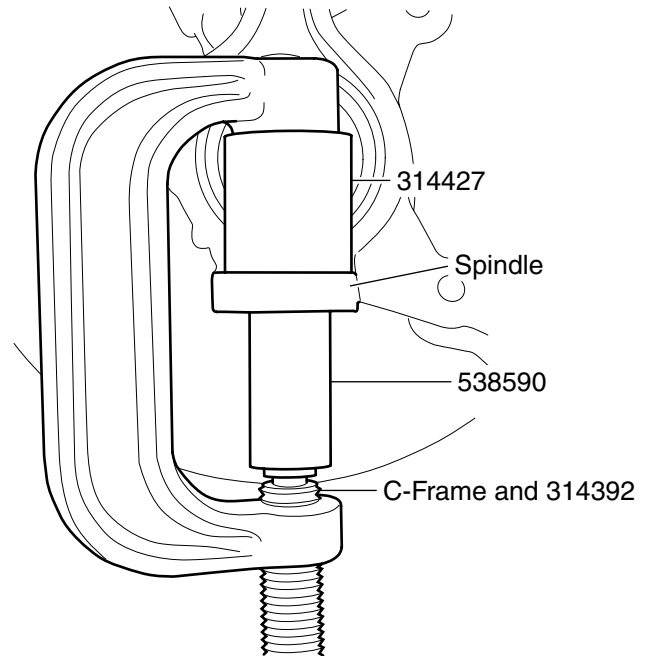


Figure 1. Ball Joint Removal

INSTALLATION:

1. Clean the spindle ball joint bore.
2. Insert the new ball joint as straight as possible into the spindle.
3. Position 38355A on the ball joint as shown in Figure 2.
4. Position 554414, 314392 and the C-Frame and tighten the forcing screw.
5. Check the alignment of all the components and continue tightening the forcing screw until the ball joint is firmly seated.
6. Install a new snap ring.

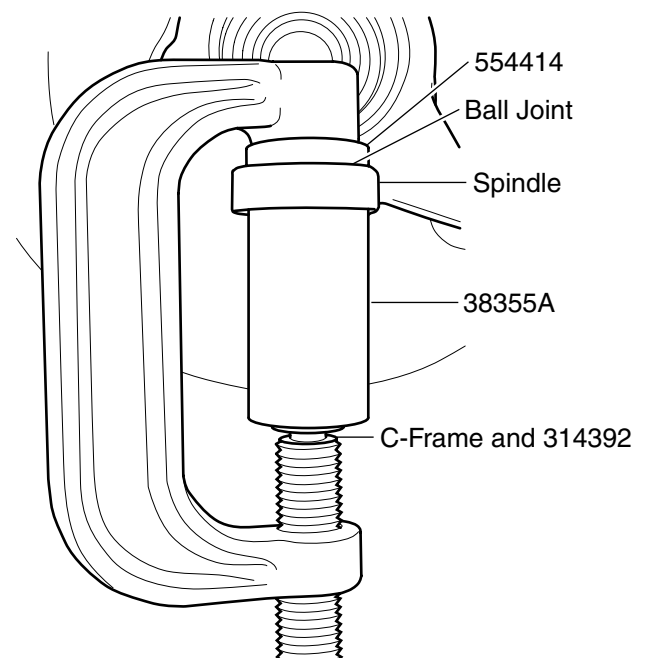


Figure 2. Ball Joint Installation

Component: Upper-Front

Application:

Honda Odyssey 1994-1998

REMOVAL:

1. Remove the dust boot.
2. Position 305227 and 29505 on the control arm.
3. Position 554420 over the stem of the ball joint.
4. Position C-Frame and 314392.
5. Turn the forcing screw until it meets the ball joint. Check the alignment of all components.
6. Tighten the forcing screw until the ball joint is removed.

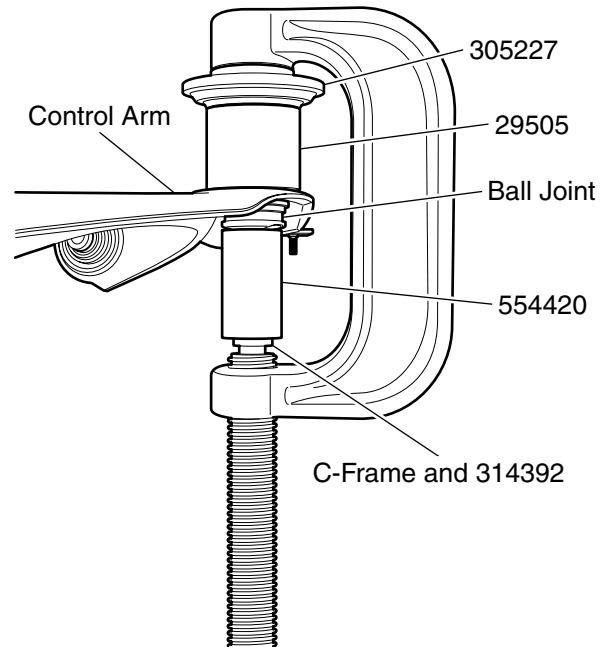


Figure 1. Ball Joint Removal

INSTALLATION:

1. Clean the control arm ball joint bore.
2. Insert the new ball joint as straight as possible into the control arm.
3. Position 554414 and 38355A on the ball joint as shown in Figure 2.
4. Position C-Frame and 314392 and tighten the forcing screw.
5. Check the alignment of all the components and continue tightening the forcing screw until the ball joint is firmly seated.

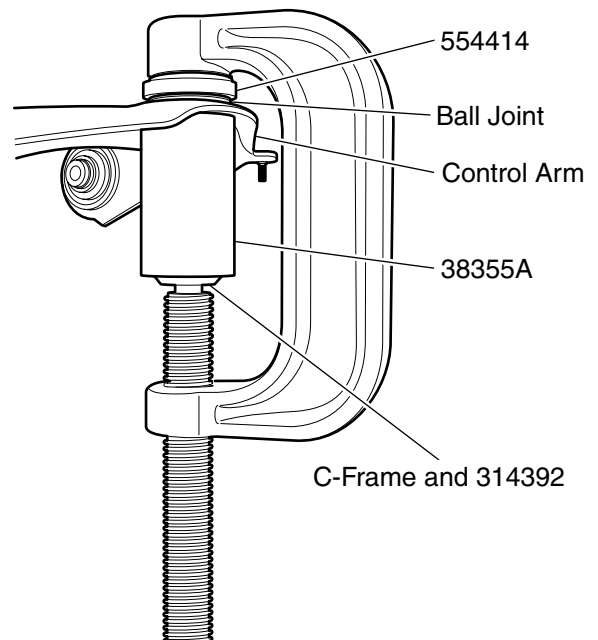


Figure 2. Ball Joint Installation

Component: Lower-Front

Application:

Honda Odyssey 1995-1998

REMOVAL:

1. Remove the dust boot.
2. Position 314426 over the stem of the ball joint.
3. Position 314427, 314392 and the C-Frame as shown in Figure 1.
4. Turn the forcing screw until it meets the ball joint. Check the alignment of all components.
5. Tighten the forcing screw until the ball joint is removed.

Isuzu Oasis 1996-1999

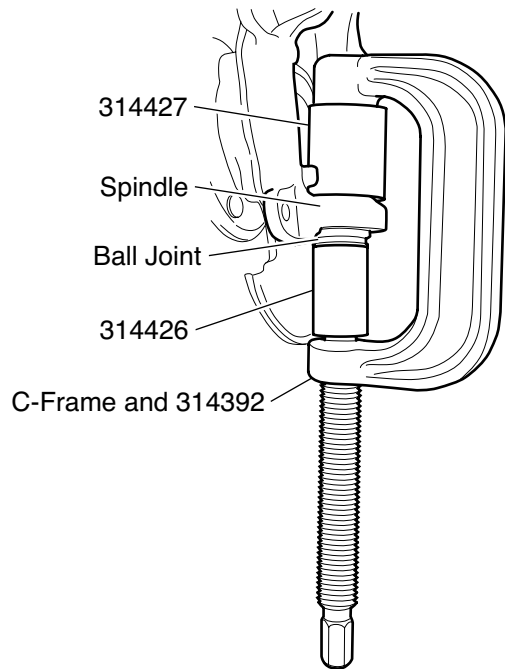


Figure 1. Ball Joint Removal

INSTALLATION:

1. Clean the spindle ball joint bore.
2. Insert the new ball joint as straight as possible into the spindle.
3. Position 554397 (or 38355A) on the ball joint as shown in Figure 2.
4. Position 314428, 314392 and the C-Frame and tighten the forcing screw.
5. Check the alignment of all the components and continue tightening the forcing screw until the ball joint is firmly seated.
6. Install a new snap ring.

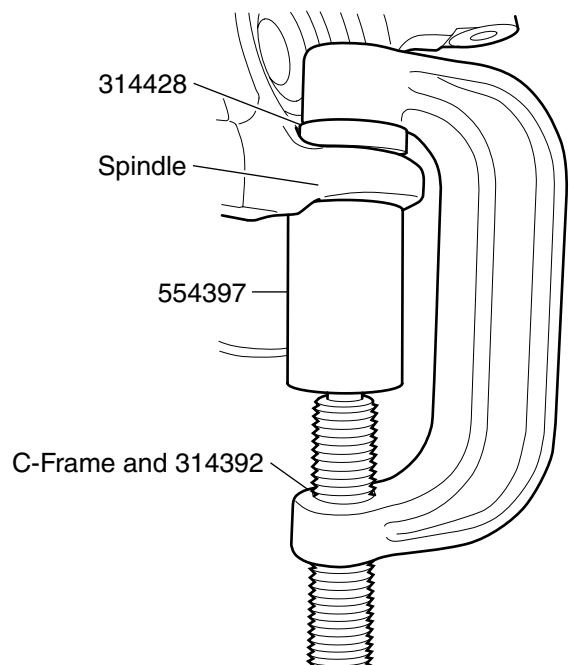


Figure 2. Ball Joint Installation

Component: Lower-Front

Application:

Honda Odyssey 1999-2006

REMOVAL:

1. Remove the dust boot.
2. Position 313968 over the stem of the ball joint.
3. Position 313969 and the C-Frame as shown in Figure 1.
4. Turn the forcing screw until it meets the ball joint. Check the alignment of all components.
5. Tighten the forcing screw until the ball joint is removed.

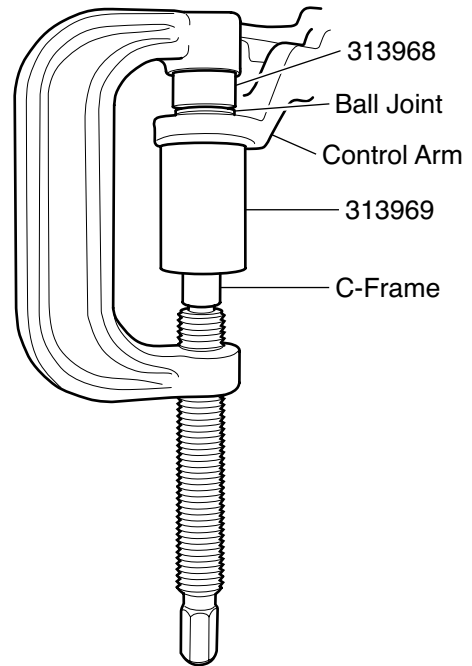


Figure 1. Ball Joint Removal

INSTALLATION:

1. Clean the control arm ball joint bore.
2. Insert the new ball joint as straight as possible into the control arm.
3. Position 29505 and 305227 on the ball joint as shown in Figure 2.
4. Position 554414 (or just the forcing screw depending on ball joint type) and the C-Frame and tighten the forcing screw.
5. Check the alignment of all the components and continue tightening the forcing screw until the ball joint is firmly seated.
6. Install a new snap ring and grease fitting, if equipped.

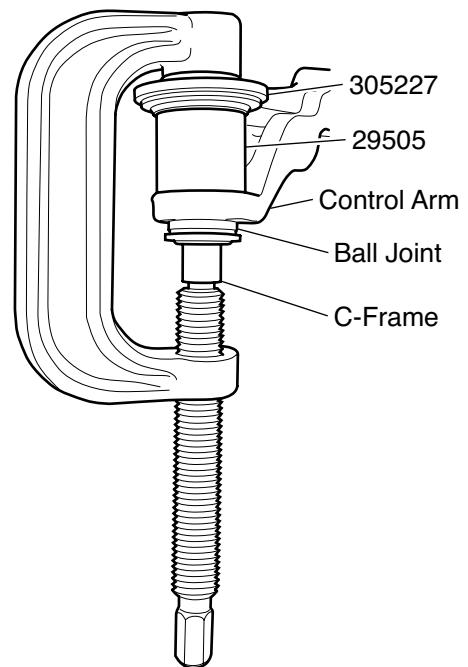


Figure 2. Ball Joint Installation

Component: Lower-Front

Application:

Hyundai Sante Fe 2001-2008

REMOVAL:

1. Remove the dust boot and snap ring.
2. Position 313968 over the stem of the ball joint.
3. Position 554413 and the C-Frame as shown in Figure 1.
4. Turn the forcing screw until it meets the ball joint. Check the alignment of all components.
5. Tighten the forcing screw until the ball joint is removed.

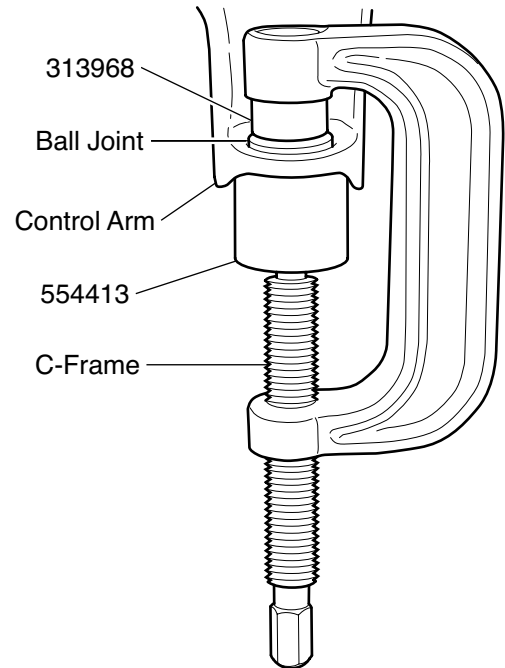


Figure 1. Ball Joint Removal

INSTALLATION:

1. Clean the control arm ball joint bore.
2. Insert the new ball joint as straight as possible into the control arm.
3. Position 38355A (or 313969) on the ball joint as shown in Figure 2.
4. Position 554403 and the C-Frame and tighten the forcing screw.
5. Check the alignment of all the components and continue tightening the forcing screw until the ball joint is firmly seated.
6. Install a new snap ring and dust boot.

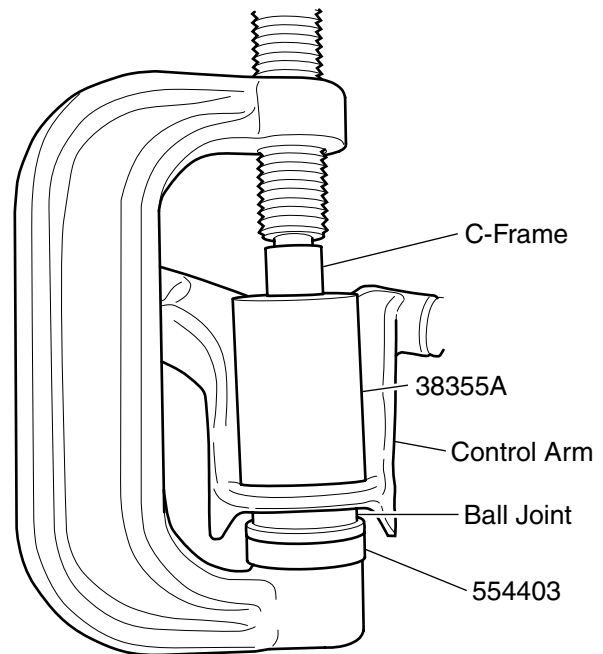


Figure 2. Ball Joint Installation

Component: Upper-Front

Application:

Infiniti QX56 2004-2006

Nissan Armada 2005-2008

Nissan Titan 2004-2006

REMOVAL:

1. Remove the dust boot and snap ring.
2. Position 538590 over the stem of the ball joint.
3. Position 38354, 314392 and the C-Frame as shown in Figure 1.
4. Turn the forcing screw until it meets the ball joint. Check the alignment of all components.
5. Tighten the forcing screw until the ball joint is removed.

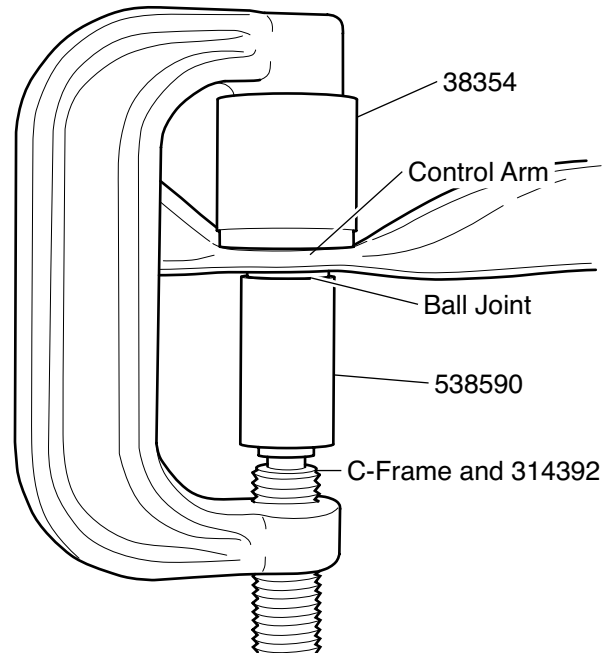


Figure 1. Ball Joint Removal

INSTALLATION:

1. Clean the control arm ball joint bore.
2. Insert the new ball joint as straight as possible into the control arm.
3. Position 38355A on the ball joint as shown in Figure 2.
4. Position 554414, 314392 and the C-Frame and tighten the forcing screw.
5. Check the alignment of all the components and continue tightening the forcing screw until the ball joint is firmly seated.
6. Install a new snap ring and grease fitting, if equipped.

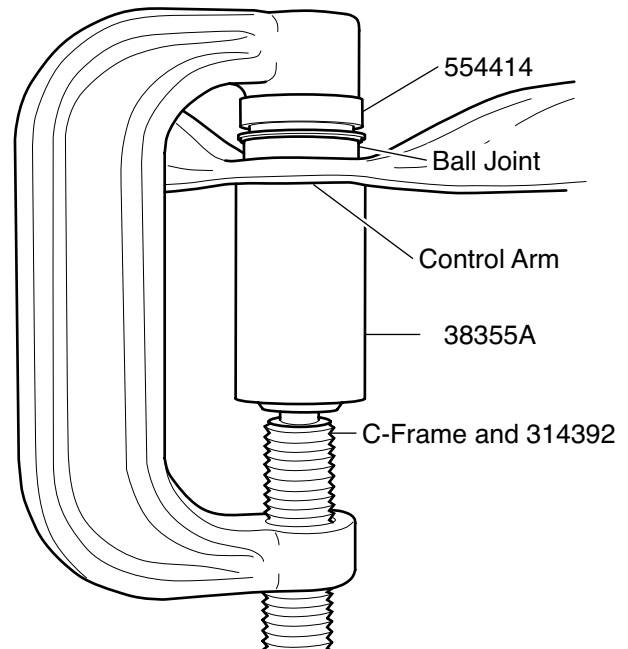


Figure 2. Ball Joint Installation

Component: Lower-Front

Application:

Nissan Armada 2005-2008

Nissan Frontier 2005-2008

Nissan Pathfinder 2005-2008

Nissan Titan 2004-2008

Nissan Xterra 2005-2008

REMOVAL:

1. Remove the snap ring.
2. Position 537499 and 305227 over the stem of the ball joint.
3. Position the C-Frame as shown in Figure 1.
4. Turn the forcing screw until it meets the ball joint. Check the alignment of all components.
5. Tighten the forcing screw until the ball joint is removed.

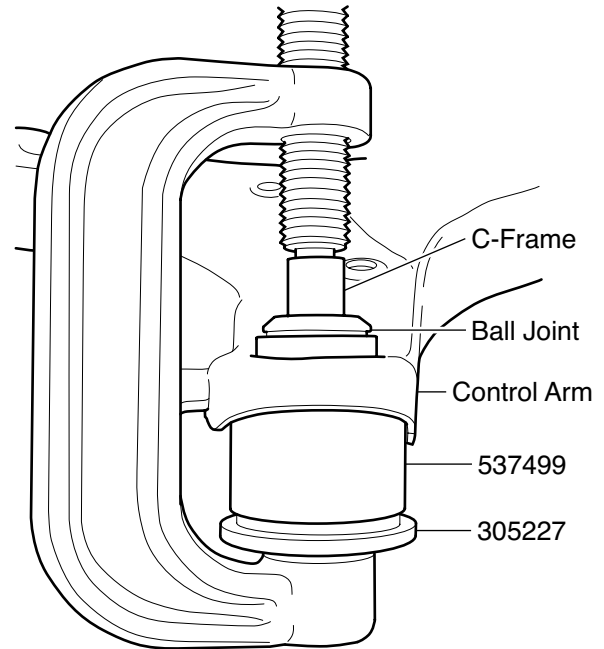


Figure 1. Ball Joint Removal

INSTALLATION:

1. Clean the control arm ball joint bore.
2. Insert the new ball joint as straight as possible into the control arm.
3. Position 554413 on the ball joint as shown in Figure 2.
4. Position 29504 and 305227 (or 39976 or 531739 alone) and the C-Frame and tighten the forcing screw.
5. Check the alignment of all the components and continue tightening the forcing screw until the ball joint is firmly seated.
6. Install a new snap ring and grease fitting, if equipped.

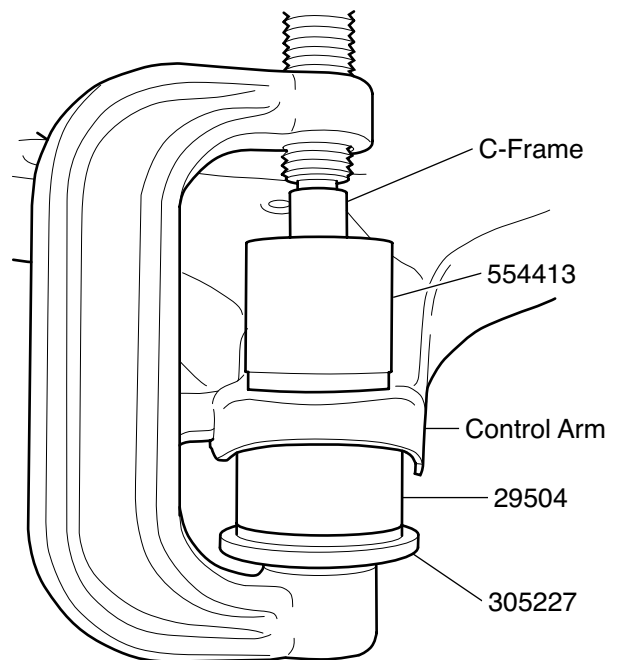


Figure 2. Ball Joint Installation

Component: Lower-Front

Application:

Nissan D21 Pickup 2WD 1991-1997

REMOVAL:

1. Remove the dust boot.
2. Position 555376 over the stem of the ball joint.
3. Position 222307, 305228 and the C-Frame as shown in Figure 1.
4. Turn the forcing screw until it meets the ball joint. Check the alignment of all components.
5. Tighten the forcing screw until the ball joint is removed.

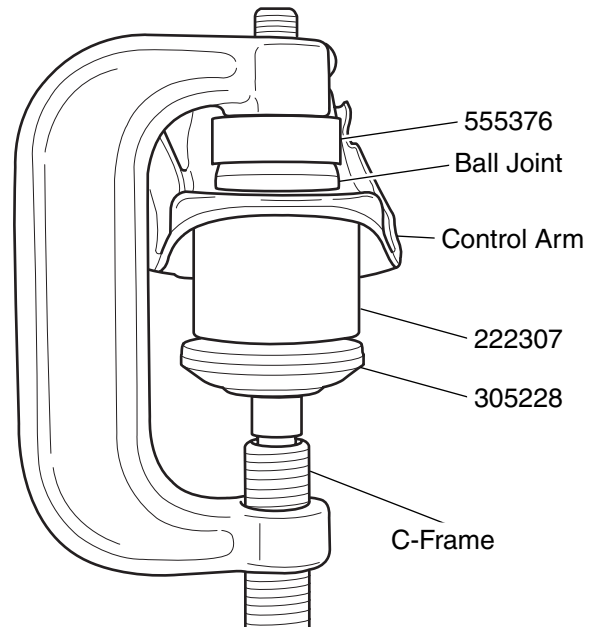


Figure 1. Ball Joint Removal

INSTALLATION:

1. Clean the control arm ball joint bore.
2. Insert the new ball joint as straight as possible into the control arm.
3. Position 29504 and 305227 (or 39976 alone) on the ball joint as shown in Figure 2.
4. Position 555380 and the C-Frame and tighten the forcing screw.
5. Check the alignment of all the components and continue tightening the forcing screw until the ball joint is firmly seated.
6. Install a new snap ring, dust boot and grease fitting, if equipped.

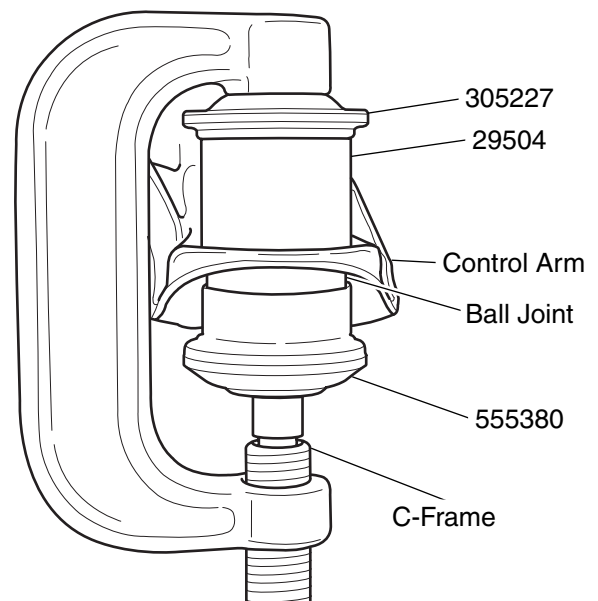


Figure 2. Ball Joint Installation

Component: Lower-Front

Application:

Nissan Frontier 1998-2004

REMOVAL:

1. Remove the nut from the top of the ball joint as shown in Figure 1.
2. Position 537499 and 305227 over the stem of the ball joint.
3. Position the C-Frame as shown in Figure 2.
4. Turn the forcing screw until it meets the ball joint. Check the alignment of all components.
5. Tighten the forcing screw until the ball joint is removed.

INSTALLATION:

1. Clean the control arm ball joint bore.
2. Insert the new ball joint as straight as possible into the control arm.
3. Position 29504 and 305227 (or 39976 or 531739 alone) on the ball joint as shown in Figure 3.
4. Position 554413 and the C-Frame and tighten the forcing screw.
5. Check the alignment of all the components and continue tightening the forcing screw until the ball joint is firmly seated.
6. Install a new nut as shown in Figure 1.

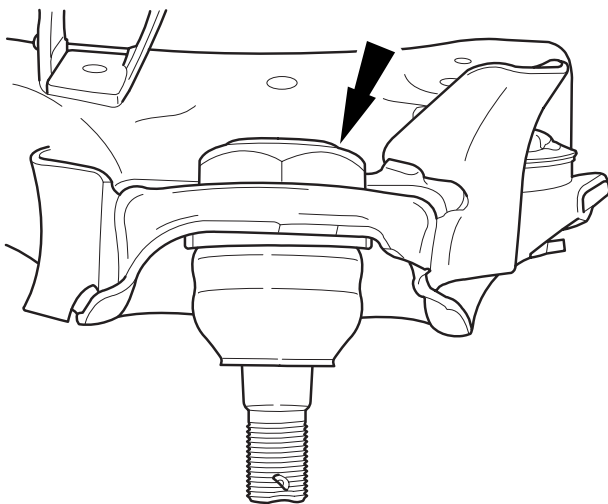


Figure 1. Ball Joint Nut.

Nissan Xterra 2000-2004

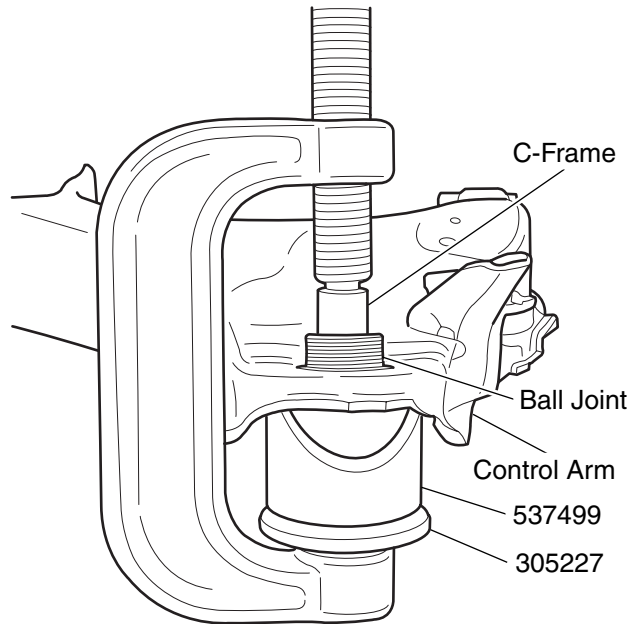


Figure 2. Ball Joint Removal

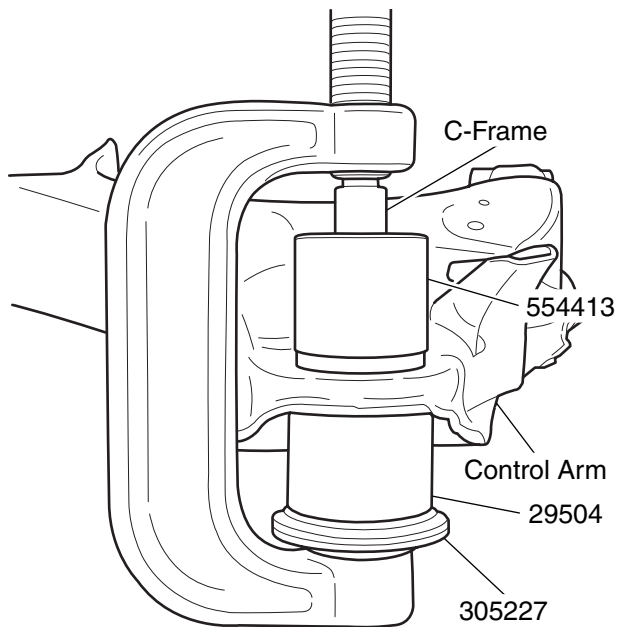


Figure 3. Ball Joint Installation

Component: Upper-Front

Application:

Nissan Frontier 1998-2004

Nissan Xterra 2000-2004

REMOVAL:

1. Remove the dust boot and snap ring.
2. Position 38355A over the stem of the ball joint.
3. Position 555532, 305227, 314392 and the C-Frame as shown in Figure 1.
4. Turn the forcing screw until it meets the ball joint. Check the alignment of all components.
5. Tighten the forcing screw until the ball joint is removed.

INSTALLATION:

1. Clean the control arm ball joint bore.
2. Insert the new ball joint as straight as possible into the control arm.
3. Position 222305 and 305228 on the ball joint as shown in Figure 2.
4. Position 204508A, 314392 and the C-Frame and tighten the forcing screw.
5. Check the alignment of all the components and continue tightening the forcing screw until the ball joint is firmly seated.
6. Install a new snap ring, dust boot and grease fitting, if equipped.

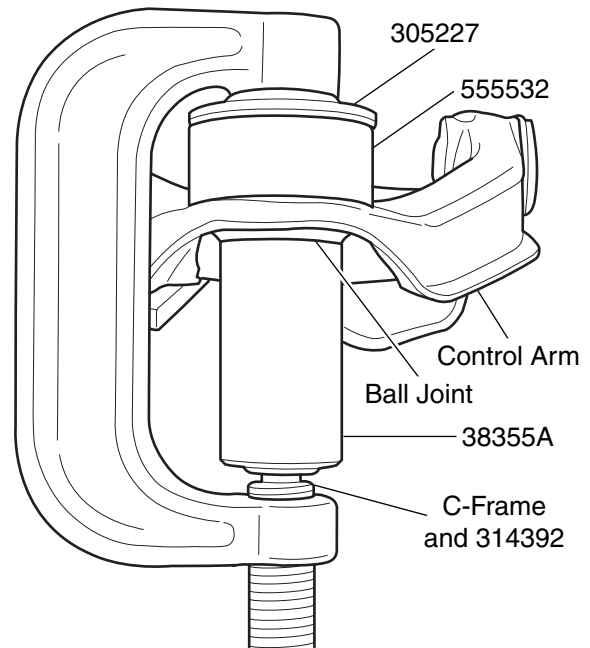


Figure 1. Ball Joint Removal

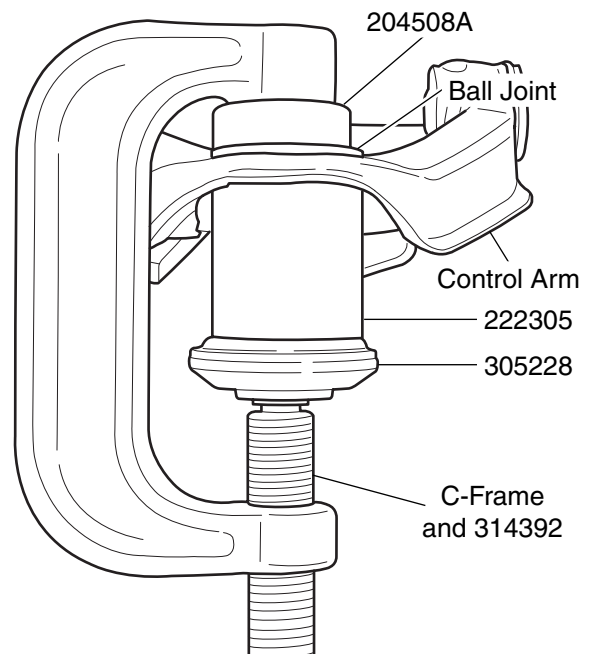


Figure 2. Ball Joint Installation

Component: Upper-Front

Application:

Nissan Frontier 2005-2008

Nissan Pathfinder 2005-2008

REMOVAL:

1. Remove the dust boot and snap ring.
2. Position 538590 over the stem of the ball joint.
3. Position 29504 and 305227 (or 39976 alone), 314392 and the C-Frame as shown in Figure 1.
4. Turn the forcing screw until it meets the ball joint. Check the alignment of all components.
5. Tighten the forcing screw until the ball joint is removed.

Nissan Xterra 2005-2008

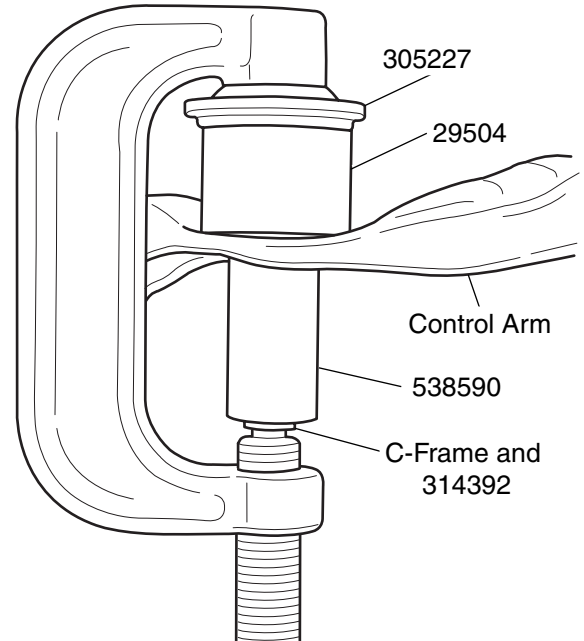


Figure 1. Ball Joint Removal

INSTALLATION:

1. Clean the control arm ball joint bore.
2. Insert the new ball joint as straight as possible into the control arm.
3. Position 313967 on the ball joint as shown in Figure 2.
4. Position 554414, 314392 and the C-Frame and tighten the forcing screw.
5. Check the alignment of all the components and continue tightening the forcing screw until the ball joint is firmly seated.
6. Install a new snap ring and grease fitting, if equipped.

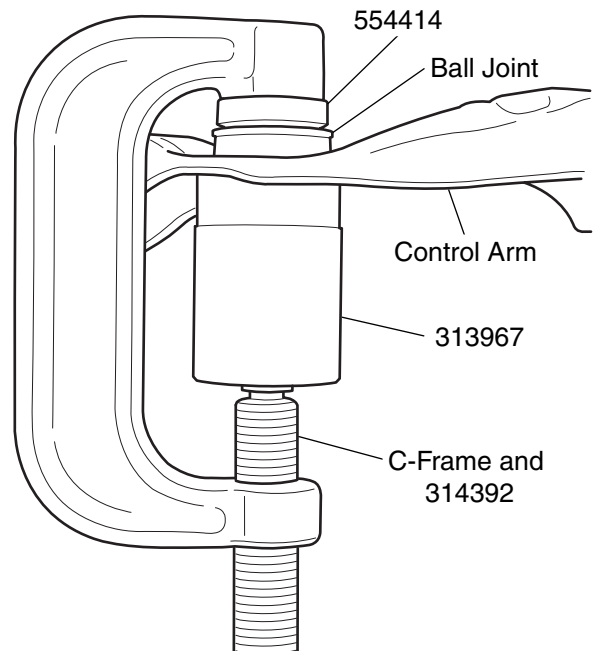


Figure 2. Ball Joint Installation

Component: Upper-Front

Application:

Toyota 4-Runner 1996-2002

Toyota Sequoia 2001-2008

Toyota Tacoma 4WD 1995-2004

Toyota Tacoma Prerunner 2WD 1995-2004

Toyota Tundra 2000-2006

REMOVAL:

1. Secure spindle assembly firmly in vise.
2. Remove the dust boot.
3. Position 538591 over the stem of the ball joint.
4. Position 38354, 314392 and the C-Frame as shown in Figure 1.
5. Turn the forcing screw until it meets the ball joint. Check the alignment of all components.
6. Tighten the forcing screw until the ball joint is removed.

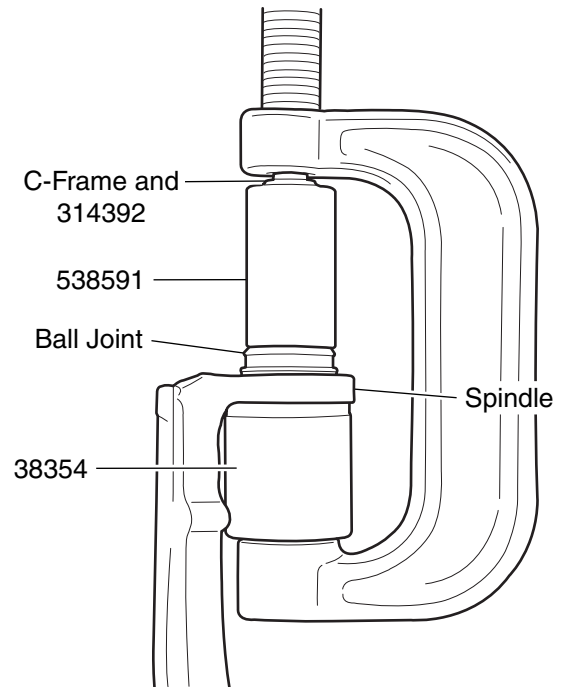


Figure 1. Ball Joint Removal

INSTALLATION:

1. Clean the spindle ball joint bore.
2. Insert the new ball joint as straight as possible into the spindle.
3. Position 38355A on the ball joint as shown in Figure 2.
4. Position 313968, 314392 and the C-Frame and tighten the forcing screw.
5. Check the alignment of all the components and continue tightening the forcing screw until the ball joint is firmly seated.
6. Install a new dust boot.

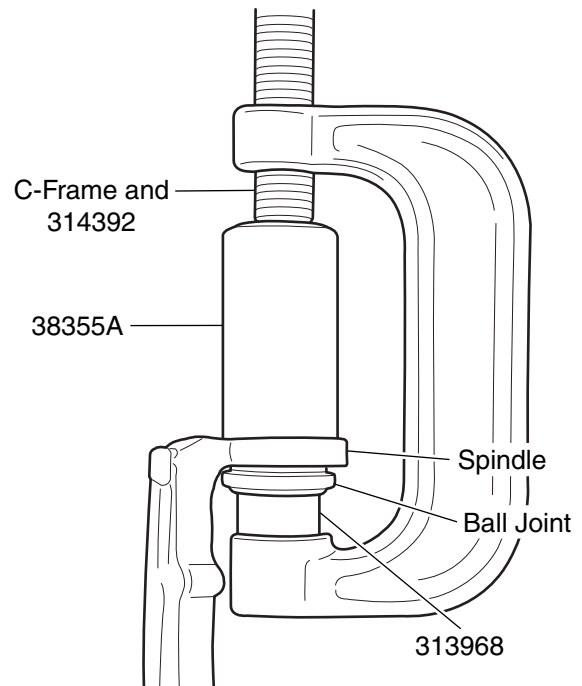


Figure 2. Ball Joint Installation

Component: Lower-Front

Application:

Toyota Tacoma 2005-2008

REMOVAL:

1. Remove the snap ring.
2. Position 222307 and 305227 over the stem of the ball joint.
3. Position the C-Frame as shown in Figure 1.
4. Turn the forcing screw until it meets the ball joint. Check the alignment of all components.
5. Tighten the forcing screw until the ball joint is removed.

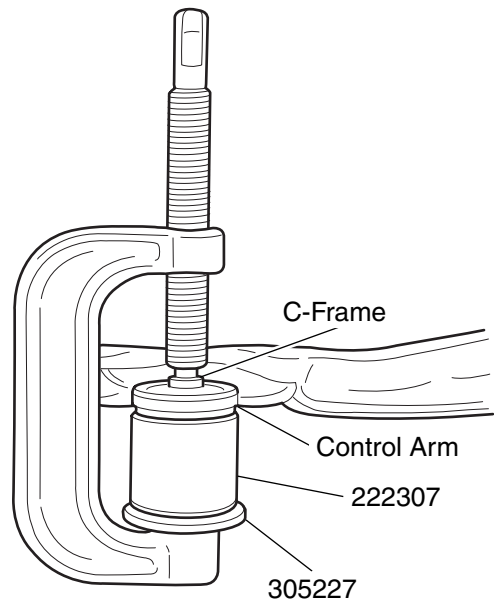


Figure 1. Ball Joint Removal

INSTALLATION:

1. Clean the control arm ball joint bore.
2. Insert the new ball joint as straight as possible into the control arm.
3. Position 29504 and 305227 on the ball joint as shown in Figure 2.
4. Position 204508A and the C-Frame and tighten the forcing screw.
5. Check the alignment of all the components and continue tightening the forcing screw until the ball joint is firmly seated.
6. Install a new snap ring.

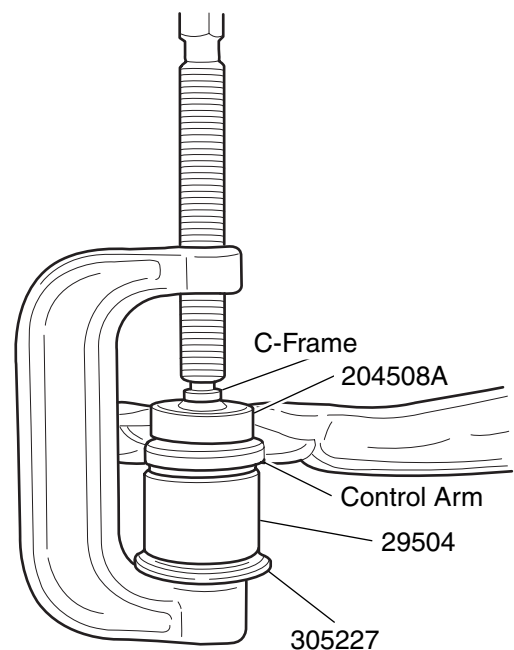


Figure 2. Ball Joint Installation

Component: Upper-Front

Application:

Toyota Tacoma 2005-2008

REMOVAL:

1. Remove the dust boot.
2. Position 538591 over the stem of the ball joint.
3. Position 554478, 314392 and the C-Frame as shown in Figure 1.
4. Turn the forcing screw until it meets the ball joint. Check the alignment of all components.
5. Tighten the forcing screw until the ball joint is removed.

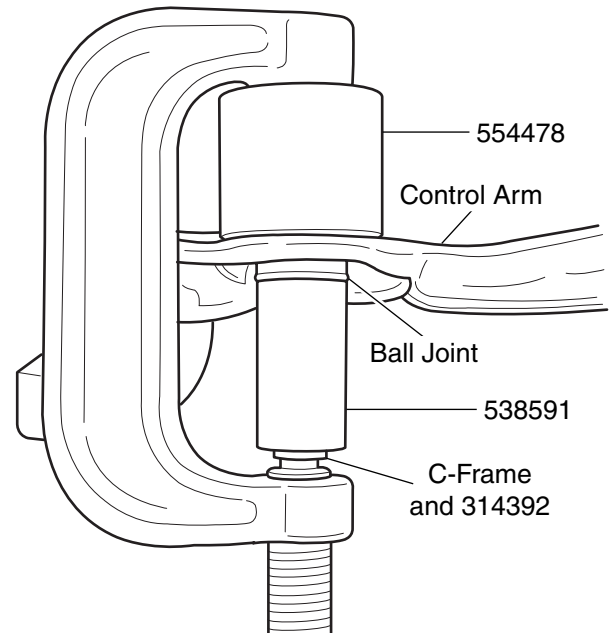


Figure 1. Ball Joint Removal

INSTALLATION:

1. Clean the control arm ball joint bore.
2. Insert the new ball joint as straight as possible into the control arm.
3. Position 38355A on the ball joint as shown in Figure 2.
4. Position 554414 (or 305227 and 554422) and the C-Frame and tighten the forcing screw.
5. Check the alignment of all the components and continue tightening the forcing screw until the ball joint is firmly seated.
6. Install a new snap ring and dust boot.

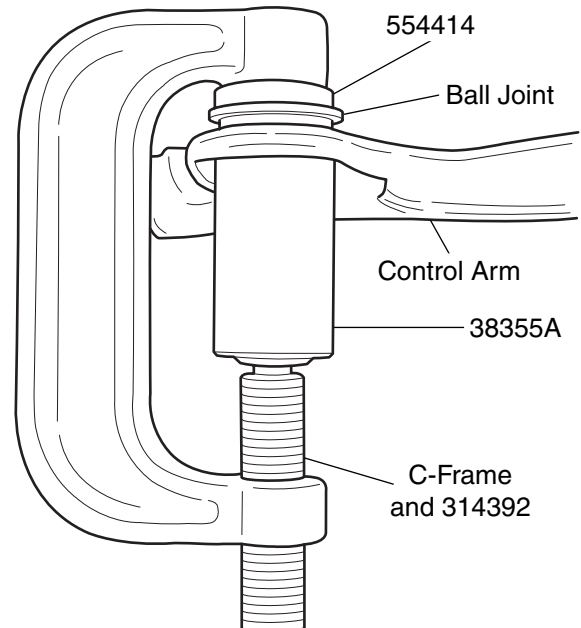


Figure 2. Ball Joint Installation

BRAKE ANCHOR PIN REMOVAL:

1. Remove all lock ring retainers from the brake anchor pins.
2. Position the C-Frame over the brake spider as shown in Figure 1.
3. Tighten the forcing screw until the anchor pin is removed.

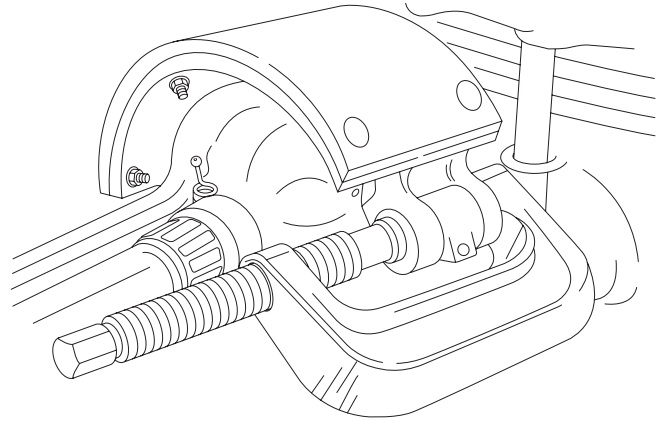


Figure 1. Brake Anchor Pin Removal

U-JOINT DISASSEMBLY AND ASSEMBLY:

The basic C-Frame is used to service the U-Joints on most cars and light trucks. The U-Joints can be serviced either on or off the vehicle.

Disassembly:

1. Remove any external/internal lock rings.
2. Position the C-Frame around the driveshaft yoke. Tighten the forcing screw until the first bearing is removed.
3. Position the C-Frame on the second bearing and tighten the forcing screw until the second bearing is removed.

Assembly:

1. Clean all dirt and oil from the yoke area.
2. Align the new bearing and C-Frame as straight as possible over the yoke. Press the new bearing into the yoke and install the new lock rings.
3. Position the C-Frame and second bearing as straight as possible over the yoke and press the bearing into the yoke and install the new lock rings.

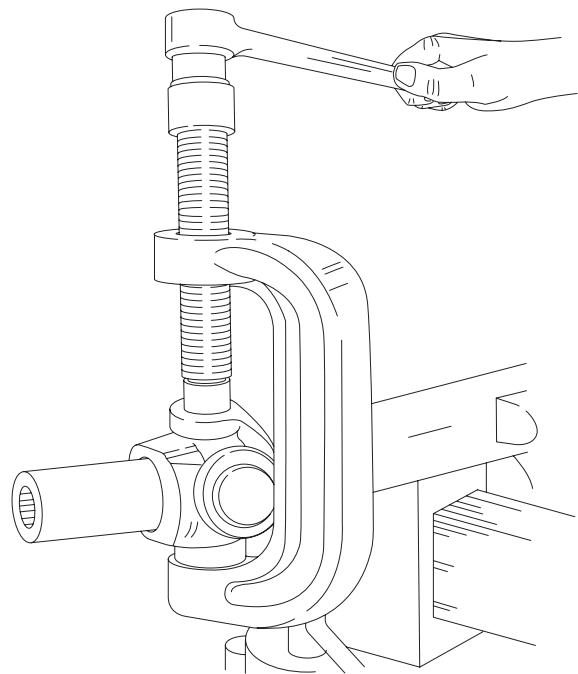


Figure 2. U-Joint Removal and Installation



BALL JOINT QUICK REFERENCE

Make	Model	Year	OEM Kit P/N	Make	Model	Year	OEM Kit P/N
Acura	CL 2.2L	1997	6529-5	Chevrolet	3500 4WD	1996-1999	6539-4
	CL 2.3L	1998-1999	6529-5		Astro 2WD	1985-2005	6539-4
	CL 3.0L	1997-1999	6529-5		Avalanche 1500 2WD/4WD	2002-2008	6539-4
	CL 3.2L	2001-2003	6529-5		Avalanche 2500 2WD/4WD	2002-2006	6539-4
	Integra	1994-2001	6529-5		Blazer 2WD	1982-2005	6539-4
	MDX	2001-2006	6539-1		Camaro	1993-2002	6529-4
	RL 3.5L	1996-2008	6529-5		Caprice	1991-1996	6529-4
	RSX	2002-2006	6529-5		Corvette	1984-2004	6529-4
	TL 2.5L	1996-1999	6529-5		Express 1500	1996-2008	6539-4
	TL 3.2L	1996-2008	6529-5		Express 2500	1996-2008	6539-4
	TSX	2004-2008	6529-5		Express 3500	2003-2008	6539-4
BMW	3 Series (318, 323, 328, M3)	1992-1999	6529-1	G10	1971-1995	6539-4	
Buick	LeSabre	1986-1999	6529-4	G20	1973-1995	6539-4	
	Park Avenue	1991-1997	6529-4	G30	1973-1996	6539-4	
	Rainier	2004-2007	6539-4	Impala	1994-1996	6529-4	
	Roadmaster	1991-1996	6529-4	S-10 2WD	1982-2005	6539-4	
Cadillac	CTS	2003-2008	6529-4	Silverado 1500 2WD/4WD	1999-2007	6539-4	
	DeVille	1996-1999	6529-4	Silverado 1500 HD 2WD/4WD	2001-2007	6539-4	
	Escalade	1999-2007	6539-4	Silverado 2500 & 2500 HD 4WD	1999	6539-4	
	Fleetwood	1991-1996	6529-4	Silverado 2500 2WD	1999-2000	6539-4	
Chevrolet	1500 2WD	1991-2000	6539-4	Silverado 2500 2WD/4WD	2001-2007	6539-4	
	1500 4WD	1996-1999	6539-4	Silverado 2500 4WD	2000	6539-4	
	2500 2WD	1991-2000	6539-4	Silverado 2500 HD 2WD/4WD	2001-2008	6539-4	
	2500 4WD	1996-1999	6539-4	Silverado 3500 2WD/4WD	2001-2008	6539-4	
	30 Motorhome With IFS	1973-1997	6539-4	SSR	2003-2006	6539-4	
	30 Step Van With IFS	1973-1997	6539-4	Suburban 1500 2WD	1992-1999	6539-4	
	3500 2WD With IFS	1991-2000	6539-4	Suburban 1500 2WD/4WD	2000-2008	6539-4	



BALL JOINT QUICK REFERENCE

Make	Model	Year	OEM Kit P/N	Make	Model	Year	OEM Kit P/N
Chevrolet	Suburban 1500 4WD	1996-1999	6539-4	Dodge	Dakota 2WD/4WD	2005-2009	6539-2
	Suburban 2500 2WD	1992-2000	6539-4		Dakota 4x4	1987-2004	6539-2
	Suburban 2500 2WD/4WD	2001-2008	6539-4		Durango 4x2/4x4	2004-2008	6539-2
	Suburban 2500 4WD	1996-2000	6539-4		Durango 4x4	1998-2003	6539-2
	Tahoe 2WD	1995-2000	6539-4		Grand Caravan	1988-2007	6539-2
	Tahoe 2WD/4WD	2001-2008	6539-4		Magnum RWD	2005-2008	6529-2
	Tahoe 4WD	1996-2000	6539-4		Neon	1995-2005	6529-2
	Trailblazer 2WD/4WD	2002-2008	6539-4		Nitro 4x2/4x4	2007-2009	6539-2
	Trailblazer EXT 2WD/4WD	2003-2007	6539-4		Ram 1500 4x2	1994-1999	6539-2
Chrysler	300C RWD	2005-2008	6529-2	Ram 1500 4x2/4x4	2000-2008	6539-2	
	Aspen 2WD/4WD	2007-2008	6539-2	Ram 2500 4x2	1994-2008	6539-2	
	Cirrus	1995-2000	6529-2	Ram 2500 4x4	1994-2008	6539-2	
	Grand Voyager	2000	6539-2	Ram 3500 4x2	1994-2008	6539-2	
	Pacifica FWD/AWD	2005-2008	6539-2	Ram 3500 4x4	1996-2008	6539-2	
	PT Cruiser	2001-2008	6529-2	Ram SRT-10	2004-2006	6539-2	
	Sebring Convertible	1996-2008	6529-2	Ram Van 1500	1995-2003	6539-2	
	Sebring Coupe	2001-2005	6529-2	Ram Van 2500	1995-2003	6539-2	
	Sebring Sedan	1996-2008	6529-2	Ram Van 3500	1995-2003	6539-2	
	Town & Country	1990-2008	6539-2	Ram Van B100	1971-1980	6539-2	
	Voyager	2000-2003	6539-2	Ram Van B150	1981-1994	6539-2	
	Dodge	Avenger	2008	6529-2	Ram Van B200	1971-1980	6539-2
		Caliber	2007-2008	6529-2	Ram Van B250	1981-1994	6539-2
Caravan		1984-2006	6539-2	Ram Van B300	1971-1980	6539-2	
Challenger		2008	6529-2	Ram Van B350	1981-1994	6539-2	
Charger RWD		2005-2008	6529-2	Sprinter 2500	2003-2008	6539-2	
Colt		1984-1994	6539-2	Sprinter 3500	2003-2008	6539-2	
Dakota 2WD		1987-1996	6539-2	Stratus	1995-2008	6529-2	



BALL JOINT QUICK REFERENCE

Make	Model	Year	OEM Kit P/N	Make	Model	Year	OEM Kit P/N
Eagle	2000 GTX (Canada only)	1991-1993	6529-2	Ford	F-350 2WD	1987-1997	6539-3
	Summit	1991-1996	6529-2		F-350 4WD	1992-1997	6539-3
	Talon	1990-1994	6529-2		Fusion	2006-2008	6529-3
Ford	Aerostar 2WD	1986-1997	6539-3		Mustang	1994-2008	6529-3
	Aerostar 4WD	1986-1997	6539-3		Probe	1989-1997	6529-3
	Bronco	1980-1996	6539-3		Ranger 2WD	1989-2008	6539-3
	Bronco II	1984-1990	6539-3		Ranger 2WD/4WD	1998-2008	6539-3
	Crown Victoria	1995-2008	6529-3		Ranger 4WD	1983-1997	6539-3
	E-150	1992-2008	6539-3		Taurus	1996-2007	6529-3
	E-250, E-350, E-450	1996-2008	6539-3		Thunderbird	1989-1997	6529-3
	Escape 2WD/4WD	2001-2008	6539-3	GMC	1500 2WD	1991-2000	6539-4
	Excursion 2WD	2000-2005	6539-3		1500 4WD	1996-1999	6539-4
	Excursion 4WD	2000-2005	6539-3		2500 2WD	1991-2000	6539-4
	Expedition 2WD/4WD	1997-2008	6539-3		2500 4WD	1996-2000	6539-4
	Explorer 2WD/4WD	1995-2008	6539-3		3500 2WD With IFS	1991-2000	6539-4
	Explorer 4WD	1991-1994	6539-3		3500 4WD	1996-2000	6539-4
	Explorer Sport Trac	2007-2008	6539-3		3500 Motorhome With IFS	1973-1997	6539-4
	Explorer/Sport/Sport Trac 2WD/4WD	2001-2005	6539-3		3500 Step Van With IFS	1973-1997	6539-4
	F-150 2WD	1987-1996	6539-3		Envoy 2WD/4WD	2002-2008	6539-4
	F-150 2WD/4WD	1997-2008	6539-3		G1500	1971-1995	6539-4
F-150 4WD	1980-1996	6539-3	G2500		1973-1995	6539-4	
F-150 Heritage and Lightning	2004	6539-3	G3500		1973-1996	6539-4	
F-250 2WD	1987-1997	6539-3	Jimmy 2WD		1982-2002	6539-4	
F-250 4WD	1980-1997	6539-3	S-15 Sonoma 2WD		1982-2004	6539-4	
F-250 4WD (Under 8500 lb. GVW)	1997-1999	6539-3	Safari 2WD		1985-2005	6539-4	
F-250 Super Duty 2WD With Twin I-Beam Axle	1999-2008	6539-3	Savana 1500		1996-2008	6539-4	
F-250, F-350, F-450, F-550 Super Duty 2WD/4WD	1999-2008	6539-3	Savana 2500		1996-2008	6539-4	



BALL JOINT QUICK REFERENCE

Make	Model	Year	OEM Kit P/N	Make	Model	Year	OEM Kit P/N	
GMC	Savana 3500	1996-2008	6539-4	Honda	Civic	1992-2000	6529-5	
	Sierra 1500 2WD/4WD	1999-2007	6539-4		Civic Del Sol	1993-1997	6529-5	
	Sierra 1500 4WD	1999-2007	6539-4		Civic Del Sol	1993-1997	6529-5	
	Sierra 1500 HD 2WD/4WD	2000-2007	6539-4		Civic Hatchback	2002-2005	6529-5	
	Sierra 2500 2WD/4WD	1999-2004	6539-4		Civic Hatchback Hybrid	2003-2005	6529-5	
	Sierra 2500 HD 2WD/4WD	2001-2008	6539-4		Civic Sedan & Coupe	2001-2005	6529-5	
	Sierra 3500 2WD/4WD	2001-2008	6539-4		Civic Sedan & Coupe Hybrid	2003-2005	6529-5	
	Sierra Denali	2002-2007	6539-4		CR-V	1997-2001	6539-1	
	Suburban 1500 2WD	1992-1999	6539-4		CR-V	1997-2001	6539-1	
	Suburban 1500 4WD	1996-1999	6539-4		CR-V	2002-2006	6539-1	
	Suburban 2500 2WD	1992-1999	6539-4		Element	2003-2008	6539-1	
	Suburban 2500 4WD	1996-1999	6539-4		Odyssey	1994-1998	6539-1	
	Yukon	2001-2007	6539-4		Odyssey	1995-1998	6539-1	
	Yukon 2WD	1995-2000	6539-4		Odyssey	1999-2006	6539-1	
	Yukon 4WD	1996-2000	6539-4		Pilot	2003-2006	6539-1	
	Yukon Denali	1999-2000	6539-4		Prelude	1992-1999	6529-5	
	Yukon Denali & Denali XL	2001-2005	6539-4		Hummer	H2	2003-2008	6539-4
	Yukon XL 1500	2000-2007	6539-4		Hyundai	Accent	1995-2005	6529-6
	Yukon XL 2500	2000-2008	6539-4			Elantra	1996-2006	6529-6
				SantaFe		2001-2008	6539-1	
Honda	Accord	1990-1997	6529-5		Sonata	1995-1998	6529-6	
	Accord	1994-1997	6529-5		Tiburon	1997-2008	6529-6	
	Accord Hybrid	2005-2006	6529-5	Infiniti	G20	1991-1996	6529-6	
	Accord Hybrid	2005-2006	6529-5		I30	1996-2001	6529-6	
	Accord Sedan & Coupe	1998-2002	6529-5		I35	2002-2004	6529-6	
	Accord Sedan & Coupe	1998-2008	6529-5		QX56	2004-2006	6539-1	
	Accord Sedan & Coupe	2003-2008	6529-5					
	Civic	1992-2000	6529-5	Isuzu	Ascender 2WD/4WD	2003-2008	6539-1	



BALL JOINT QUICK REFERENCE

Make	Model	Year	OEM Kit P/N	Make	Model	Year	OEM Kit P/N
Isuzu	Hombre 2WD	1996-2000	6539-1	Mazda	B-2300 4WD	1995-1997	6539-3
	Oasis	1996-1999	6539-1		B-2300 4WD With Torsion Bar Suspension	2001	6539-3
Jeep	Cherokee	1990-2001	6539-2		B-2500 2WD With Coil Spring Suspension	1998-2001	6539-3
	Cherokee (RHD)	1996-1998	6539-2		B-2500 2WD/4WD With Torsion Bar Suspension	1998-2001	6539-3
	Commander 2WD/4WD	2006-2009	6539-2		B-2500 4WD With Torsion Bar Suspension	1998-2001	6539-3
	Compass 2WD	2007-2008	6539-2		B-3000 2WD	1994-1996	6539-3
	Compass 4WD	2007-2008	6539-2		B-3000 2WD With Coil Spring Suspension	1998-2004	6539-3
	Grand Cherokee	1993-2004	6539-2		B-3000 2WD With Torsion Bar Suspension	1998-2001	6539-3
	Grand Cherokee 2WD/4WD	2005-2009	6539-2		B-3000 2WD/4WD With Torsion Bar Suspension	1998-2007	6539-3
	Grand Wagoneer	1993-1994	6539-2		B-3000 4WD	1994-1996	6539-3
	Liberty 2WD/4WD	2002-2009	6539-2	B-3000 4WD With Torsion Bar Suspension	1998-2001	6539-3	
	Wrangler	1987-2008	6539-2	B-4000 2WD	1994-1997	6539-3	
Kia	Spectra	2005-2008	6529-6	B-4000 2WD	1994-2004	6539-3	
	Spectra 5	2006-2008	6529-6	B-4000 2WD/4WD With Torsion Bar Suspension	1998-2008	6539-3	
Lincoln	Aviator 2WD/4WD	2003-2005	6539-3	B-4000 4WD	1994-2001	6539-3	
	Blackwood	2002	6539-3	MX-6	1988-1997	6529-3	
	Continental	1995-2002	6529-3	Navajo 2WD	1992-1994	6539-3	
	Mark VIII	1993-1998	6529-3	Navajo 4WD	1991-1994	6539-3	
	MKZ	2007-2008	6529-3	Mercury	Cougar	1989-1997	6529-3
	Navigator 2WD/4WD	1998-2006	6539-3		Grand Marquis	1995-2008	6529-3
	Town Car	1995-2008	6529-3		Marauder	2003-2004	6529-3
	Zephyr	2006	6529-3		Mariner 2WD/4WD	2005-2008	6539-3
Mazda	626	1983-1997	6529-3		Milan	2006-2008	6529-3
	B-2300 2WD	1994-1997	6539-3		Mountaineer	1997-2008	6539-3
	B-2300 2WD	2001-2004	6539-3		Sable	1996-2005	6529-3
	B-2300 2WD/4WD	2001-2004	6539-3		Tribute 2WD/4WD	2008	6539-3
	B-2300 2WD/4WD	2005-2008	6539-3	Tribute 2WD/4WD	2001-2006	6539-3	



BALL JOINT QUICK REFERENCE

Make	Model	Year	OEM Kit P/N	Make	Model	Year	OEM Kit P/N
Mitsubishi	Eclipse	1990-2005	6529-2	Pontiac	Bonneville	1987-1999	6529-4
	Galant	1985-2008	6529-2		Firebird	1993-2002	6529-4
	Mighty Max	1983-1996	6539-2	Saab	9-7x	2005-2008	6529-6
	Raider	2006-2009	6539-2	Toyota	4-Runner	1996-2002	6539-1
Nissan	200SX	1995-1998	6529-6		Echo	2000-2005	6529-6
	240SX	1994-1998	6529-6		Sequoia	2001-2008	6539-1
	300ZX	1990-1996	6529-6		Tacoma	2005-2008	6539-1
	Altima	1993-2001	6529-6		Tacoma 4WD	1995-2004	6539-1
	Armada	2005-2008	6539-1		Tacoma Prerunner 2WD	1995-2004	6539-1
	D21 Pickup 2WD	1991-1997	6539-1		Tundra	2000-2006	6539-1
	Frontier	1998-2008	6539-1				
	Maxima	1995-2003	6529-6				
	Pathfinder	2005-2008	6539-1				
	Sentra	1991-2006	6529-6				
	Titan	2004-2008	6539-1				
	Versa	2007-2008	6529-6				
	Xterra	2000-2008	6539-1				
Oldsmobile	88	1985-1999	6529-4				
	98	1985-1996	6529-4				
	Bravada 2WD/4WD	2002-2004	6539-4				
	LSS	1996-1999	6529-4				
	Regency	1997-1998	6529-4				
Plymouth	Breeze	1995-2000	6529-2				
	Grand Voyager	1988-2000	6539-2				
	Laser	1990-1994	6529-2				
	Neon	1995-2001	6529-2				
	Voyager	1984-2003	6539-2				