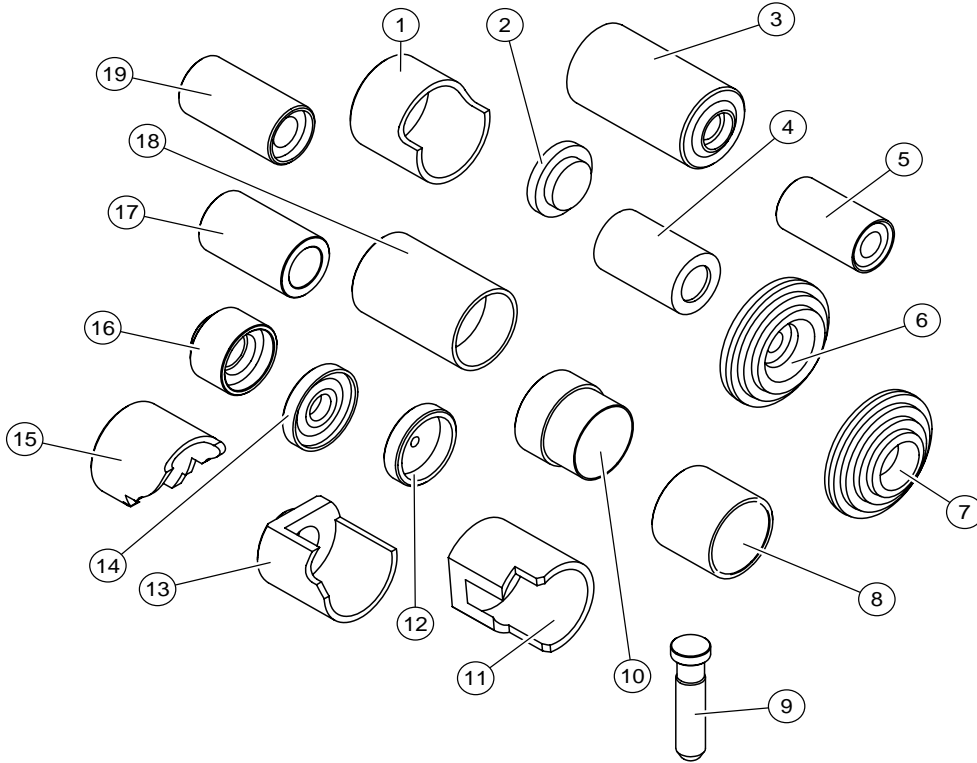


Honda, Acura Ball Joint Adapter Kit



Legend

Item No.	Part No.	Description	Item No.	Part No.	Description	Item No.	Part No.	Description
1	554398	Adapter	8	29505	Adapter	15	554580	Adapter
2	314428	Adapter	9	314392	Adapter	16	554415	Adapter
3	38355A	Adapter	10	314425	Adapter	17	554399	Adapter
4	324426	Adapter	11	314427	Adapter	18	554397	Adapter
5	554420	Adapter	12	554403	Adapter	19	554416	Adapter
6	305228	Adapter	13	554579	Adapter			
7	305227	Adapter	14	554414	Adapter			

TABLE OF CONTENTS

Ball Joint Adapter Kit		1			
Table of Contents		2			
Ball Joint Application Guide		3			
Removal and Installation Instructions					
Acura	CL 2.2L	1997	Lower-Front	5	
	CL 2.3L	1998-1999	Lower-Front	5	
	CL 3.0L	1997-1999	Lower-Front	5	
	CL 3.2L	2001-2003	Lower-Front	5	
	CL 3.2L	2001-2003	Upper-Front	6	
	Integra	1994-2001	Lower-Front	7	
	RL 3.5L	1996-2008	Lower-Front	8	
	RSX	2002-2006	Lower-Front	9	
	TL 2.5L	1996-1999	Lower-Front	10	
	TL 3.2L	1996-1998	Lower-Front	11	
	TL 3.2L	1999-2003	Lower-Front	5	
	TL 3.2L	1999-2003	Upper-Front	6	
	TL 3.2L	2004-2008	Lower-Front	12	
	TSX	2004-2008	Lower-Front	13	
	TSX	2004-2008	Upper-Front	6	
	Honda	Accord	1990-1997	Lower-Front	5
		Accord	1994-1997	Upper-Front	6
Accord Hybrid		2005-2006	Lower-Front	13	
Accord Hybrid		2005-2006	Upper-Front	6	
Accord Sedan & Coupe		1998-2002	Lower-Front	5	
Accord Sedan & Coupe		1998-2008	Upper-Front	6	
Accord Sedan & Coupe		2003-2008	Lower-Front	13	
Civic		1992-2000	Lower-Front	7	
Civic		1992-2000	Upper-Front	14	
Civic Del Sol		1993-1997	Lower-Front	7	
Civic Del Sol		1993-1997	Upper-Front	14	
Civic Hatchback		2002-2005	Lower-Front	15	
Civic Hatchback Hybrid		2003-2005	Lower-Front	15	
Civic Sedan & Coupe		2001-2005	Lower-Front	16	
Civic Sedan & Coupe Hybrid		2003-2005	Lower-Front	16	
Prelude	1992-1999	Lower-Front	5		
Brake Anchor Pin Removal				17	
U-Joint Disassembly and Assembly				17	
Ball Joint Quick Reference Sheet				18	

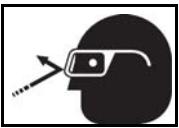
6259-5 HONDA/ACURA BALL JOINT ADAPTER APPLICATION CHART

Make	Model	Year	Position	Location	OTC Removal Tools	OTC Installation Tools
Acura	CL 2.2L	1997	Lower	Front	314427, 314426, 314392	314428, 554397 or 38355A, 314392
	CL 2.3L	1998-1999	Lower	Front	314427, 314426, 314392	314428, 554397 or 38355A, 314392
	CL 3.0L	1997-1999	Lower	Front	314427, 314426, 314392	314428, 554397 or 38355A, 314392
	CL 3.2L	2001-2003	Lower	Front	314427, 314426, 314392	314428, 554397 or 38355A, 314392
	CL 3.2L	2001-2003	Upper	Front	29505 & 305227, 554420, 314392	38355A, 554414, 314392
	Integra	1994-2001	Lower	Front	554399, 554580, 314392	314428, 554397, 314392
	RL 3.5L	1996-2008	Lower	Front	554399, 554580, 314392	554397, 554414, 314392
	RSX	2002-2006	Lower	Front	29505 & 305227, 554416, 314392	Top of C-Frame, 554397, 314392
	TL 2.5L	1996-1999	Lower	Front	554579, 554399, 314392	554414, 554397, 314392
	TL 3.2L	1996-1998	Lower	Front	554398, 554399, 314392	554397, Top of C-Frame, 314392
	TL 3.2L	1999-2003	Lower	Front	314427, 314426, 314392	314428, 554397 or 38355A, 314392
	TL 3.2L	1999-2003	Upper	Front	29505 & 305227, 554420, 314392	38355A, 554414, 314392
	TL 3.2L	2004-2008	Lower	Front	554579, 554399, 314392	Top of C-Frame or 314428, 38355A, 314392
	TSX	2004-2008	Lower	Front	554398, 554399, 314392	554397, 554403, 314392
	TSX	2004-2008	Upper	Front	29505 & 305227, 554420, 314392	38355A, 554414, 314392
Honda	Accord	1990-1997	Lower	Front	314427, 314426, 314392	314428, 554397 or 38355A, 314392
	Accord	1994-1997	Upper	Front	29505 & 305227, 554420, 314392	38355A, 554414, 314392
	Accord Hybrid	2005-2006	Lower	Front	554398, 554399, 314392	554397, 554403, 314392
	Accord Hybrid	2005-2006	Upper	Front	29505 & 305227, 554420, 314392	38355A, 554414, 314392
	Accord Sedan & Coupe	1998-2002	Lower	Front	314427, 314426, 314392	314428, 554397 or 38355A, 314392
	Accord Sedan & Coupe	1998-2008	Upper	Front	29505 & 305227, 554420, 314392	38355A, 554414, 314392
	Accord Sedan & Coupe	2003-2008	Lower	Front	554398, 554399, 314392	554397, 554403, 314392
	Civic	1992-2000	Lower	Front	554399, 554580, 314392	314428, 554397, 314392
	Civic	1992-2000	Upper	Front	29505 & 305227, 554420, 314392	38355A, 554415, 314392

6259-5 HONDA/ACURA BALL JOINT ADAPTER APPLICATION CHART

Make	Model	Year	Position	Location	OTC Removal Tools	OTC Installation Tools
Honda	Civic del Sol	1993-1997	Lower	Front	554399, 554580, 314392	314428, 554397, 314392
	Civic del Sol	1993-1997	Upper	Front	29505 & 305227, 554420, 314392	38355A, 554415, 314392
	Civic Hatchback	2002-2005	Lower	Front	554398, 554416, 314392	554397, 554403, 314392
	Civic Hybrid Hatchback	2003-2005	Lower	Front	554398, 554416, 314392	554397, 554403, 314392
	Civic Hybrid Sedan & Coupe	2003-2005	Lower	Front	554398, 554416, 314392	554414, 554397, 314392
	Civic Sedan & Coupe	2001-2005	Lower	Front	554398, 554416, 314392	554414, 554397, 314392
	Prelude	1992-1999	Lower	Front	314427, 314426, 314392	314428, 554397 or 38355A, 314392

Safety Precautions



CAUTION: To prevent personal injury:

- Wear protective eyewear that meets the requirements of ANSI Z87.1 and OSHA.
- Before performing any repairs on a vehicle, block all wheels to prevent movement.
- Check the final alignment of tooling and components before using the C-frame press to exert pressure.



Component: Lower-Front

Application:

Acura CL 2.2L 1997

Acura CL 2.3L 1998-1999

Acura CL 3.0L 1997-1999

Acura CL 3.2L 2001-2003

Acura TL 3.2L 1999-2003

Honda Accord 1990-1997

Honda Accord Sedan & Coupe 1998-2002

Honda Prelude 1992-1999

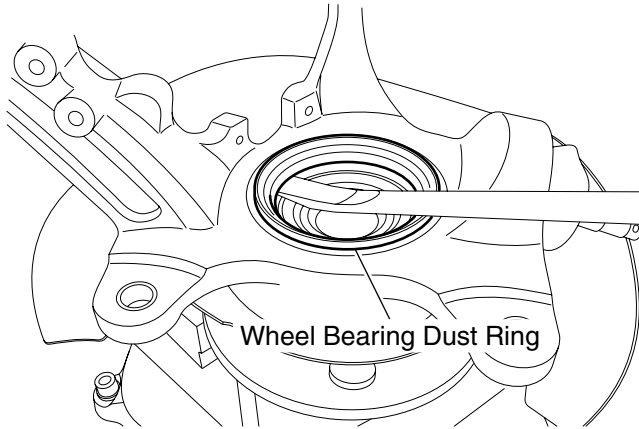


Figure 1. Wheel Bearing Dust Ring Removal

REMOVAL:

1. Remove the dust boot and wheel bearing dust ring. See Figure 1.
2. Position 314427 on spindle.
3. Position 314426 over the stem of the ball joint.
4. Position C-Frame and 314392. See Figure 2.
5. Turn the forcing screw until it meets the ball joint. Check the alignment of all components.
6. Tighten the forcing screw until the ball joint is removed.

INSTALLATION:

1. Clean the spindle ball joint bore.
2. Insert the new ball joint as straight as possible into the spindle.
3. Position either 38355A or 554397 on the ball joint as shown in Figure 3.
4. Position C-Frame, 314392, and 314428 and tighten the forcing screw.
5. Check the alignment of all the components and continue tightening the forcing screw until the ball joint is firmly seated.

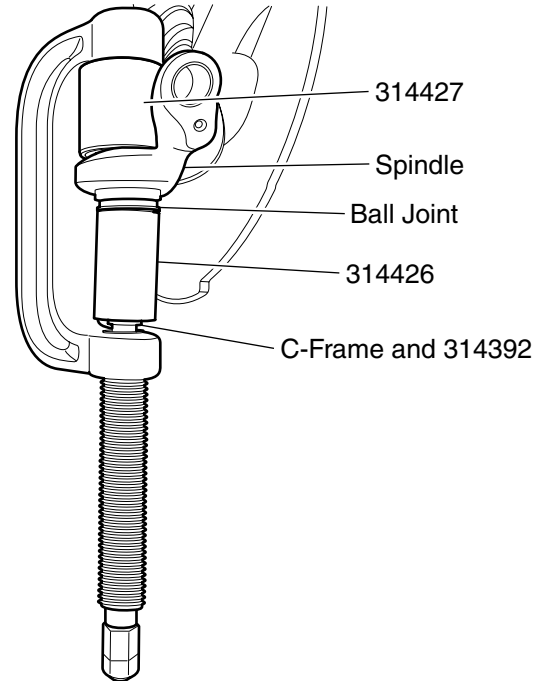


Figure 2. Ball Joint Removal

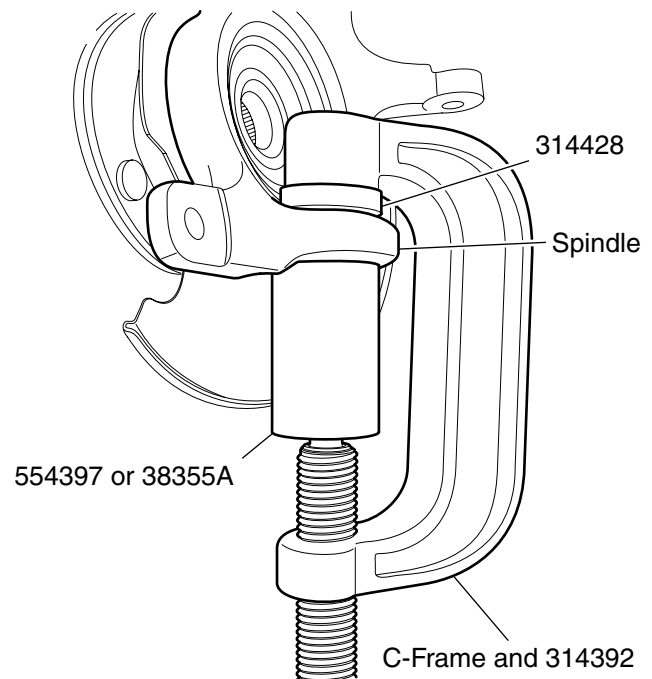


Figure 3. Ball Joint Installation

Component: Upper-Front

Application:

Acura CL 3.2L 2001-2003

Acura TL 3.2L 1999-2003

Acura TSX 2004-2008

Honda Accord 1994-1997

Honda Accord Hybrid 2005-2006

Honda Accord Sedan & Coupe 1998-2008

REMOVAL:

1. Remove the dust boot.
2. Position 305227 and 29505 on the control arm.
3. Position 554420 over the stem of the ball joint.
4. Position C-Frame and 314392.
5. Turn the forcing screw until it meets the ball joint. Check the alignment of all components.
6. Tighten the forcing screw until the ball joint is removed.

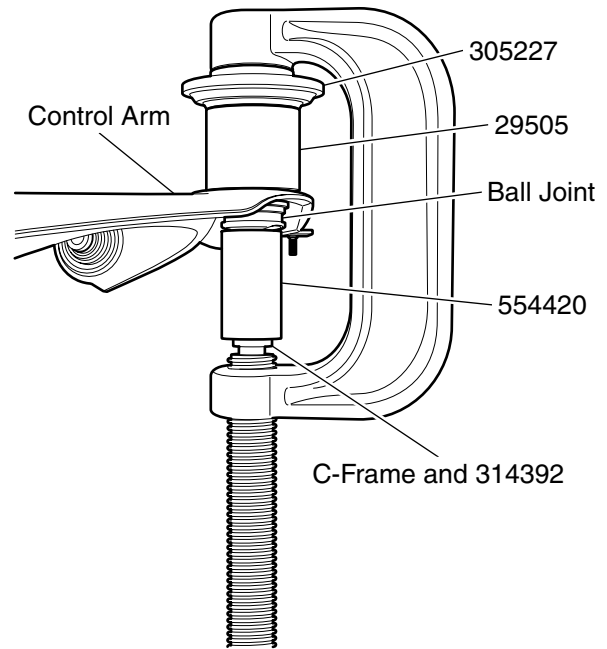


Figure 1. Ball Joint Removal

INSTALLATION:

1. Clean the control arm ball joint bore.
2. Insert the new ball joint as straight as possible into the control arm.
3. Position 554414 and 38355A on the ball joint as shown in Figure 2.
4. Position C-Frame and 314392 and tighten the forcing screw.
5. Check the alignment of all the components and continue tightening the forcing screw until the ball joint is firmly seated.

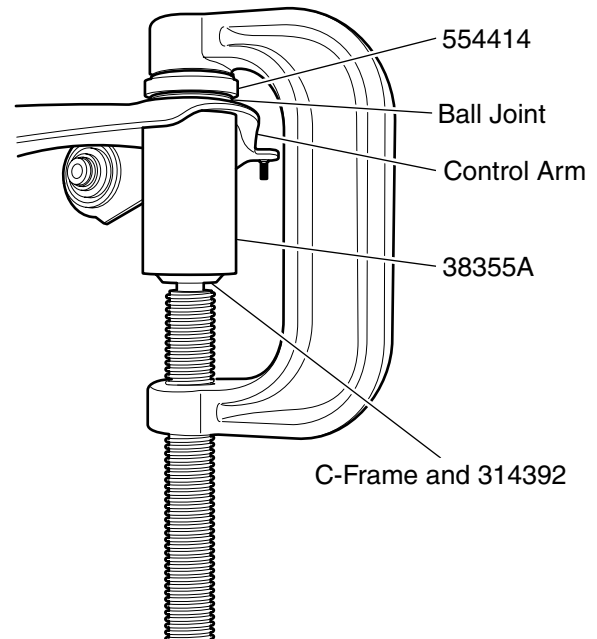


Figure 2. Ball Joint Installation

Component: Lower-Front

Application:

Acura Integra 1994-2001
Honda Civic 1992-2000

Honda Civic Del Sol 1993-1997

REMOVAL:

1. Remove the dust boot and wheel bearing dust ring.
2. Position 554580 on spindle.
3. Position 554399 over the stem of the ball joint.
4. Position C-Frame and 314392.
5. Turn the forcing screw until it meets the ball joint. Check the alignment of all components.
6. Tighten the forcing screw until the ball joint is removed.

INSTALLATION:

1. Clean the spindle ball joint bore.
2. Insert the new ball joint as straight as possible into the spindle.
3. Position 314428 and 554397 on the ball joint as shown in Figure 2.
4. Position C-Frame and 314392 plug and tighten the forcing screw.
5. Check the alignment of all the components and continue tightening the forcing screw until the ball joint is firmly seated.
6. Install the wheel bearing dust ring.

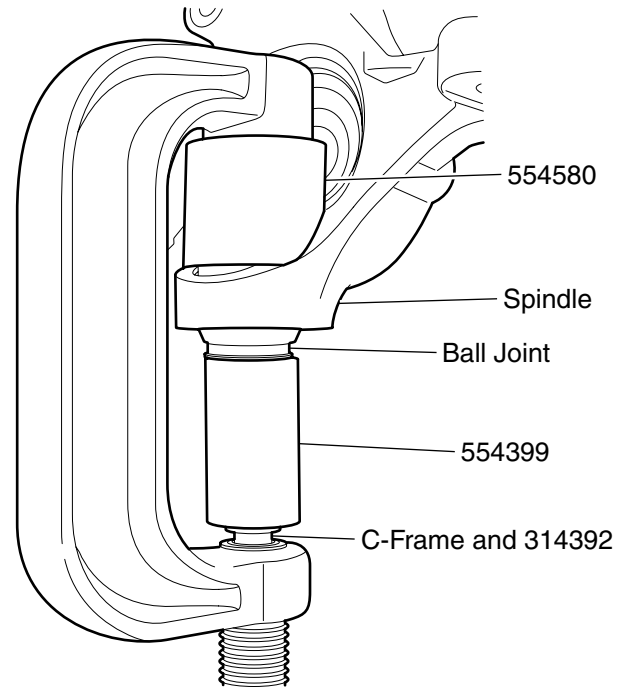


Figure 1. Ball Joint Removal

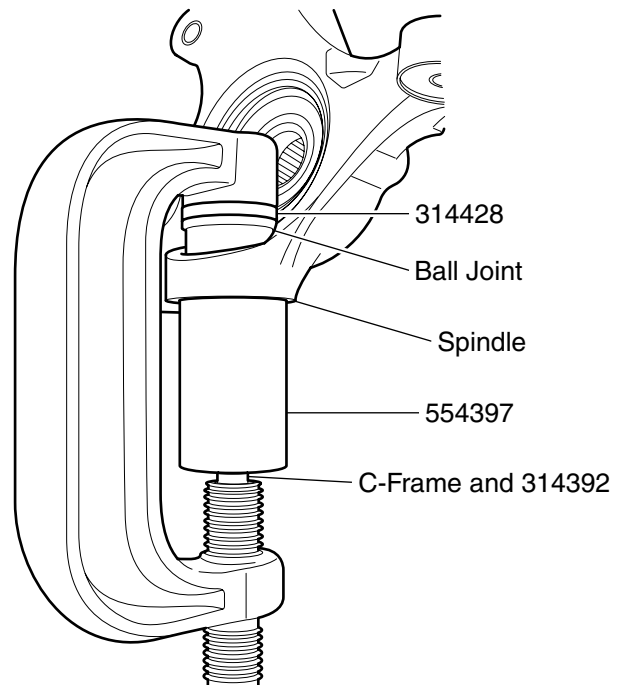


Figure 2. Ball Joint Installation

Component: Lower-Front

Application:

Acura RL 3.5L 1996-2008

REMOVAL:

1. Remove the dust boot and wheel bearing dust ring.
2. Position 554580 on spindle.
3. Position 554399 over the stem of the ball joint.
4. Position C-Frame and 314392.
5. Turn the forcing screw until it meets the ball joint. Check the alignment of all components.
6. Tighten the forcing screw until the ball joint is removed.

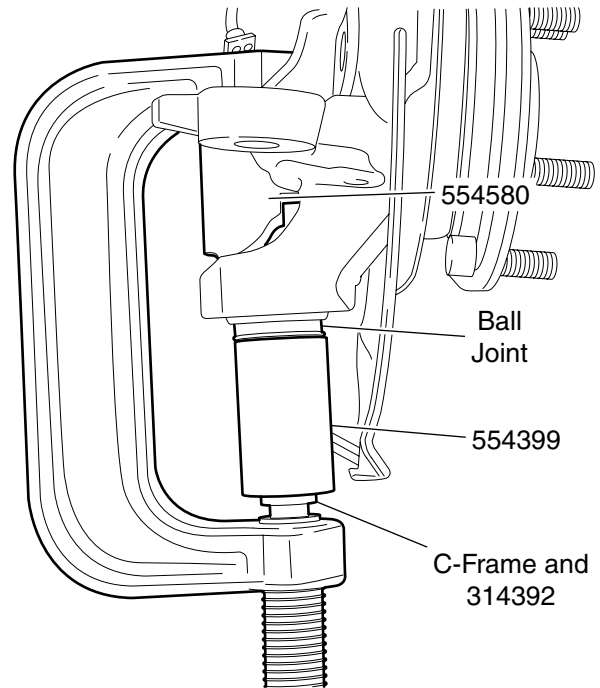


Figure 1. Ball Joint Removal

INSTALLATION:

1. Clean the spindle ball joint bore.
2. Insert the new ball joint as straight as possible into the spindle.
3. Position 554414 and 554397 on the ball joint as shown in Figure 2.
4. Position C-Frame and 314392 and tighten the forcing screw.
5. Check the alignment of all the components and continue tightening the forcing screw until the ball joint is firmly seated.

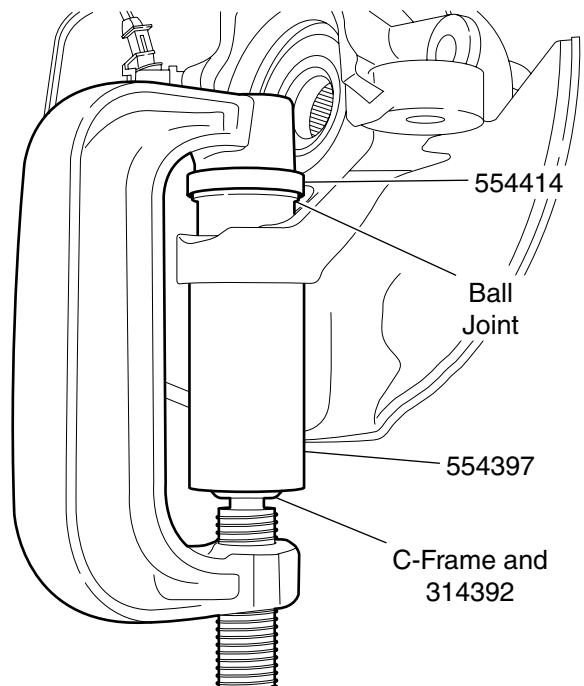


Figure 2. Ball Joint Installation

Component: Lower-Front

Application:

Acura RSX 2002-2006

REMOVAL:

1. Remove the dust boot.
2. Position 305227 and 29505 on spindle.
3. Position 554416 over the stem of the ball joint.
4. Position C-Frame and 314392.
5. Turn the forcing screw until it meets the ball joint. Check the alignment of all components.
6. Tighten the forcing screw until the ball joint is removed.

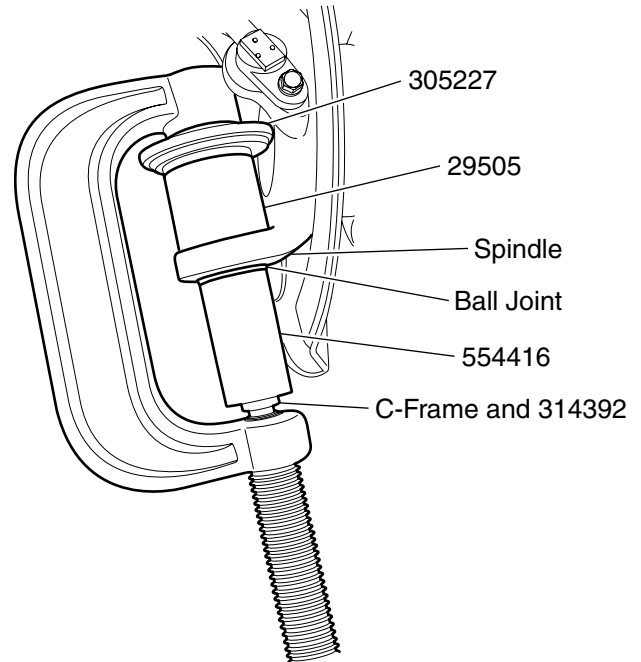


Figure 1. Ball Joint Removal

INSTALLATION:

1. Clean the spindle ball joint bore.
2. Insert the new ball joint as straight as possible into the spindle.
3. Position 554397 on the ball joint as shown in Figure 2.
4. Position C-Frame and 314392 and tighten the forcing screw.
5. Check the alignment of all the components and continue tightening the forcing screw until the ball joint is firmly seated.

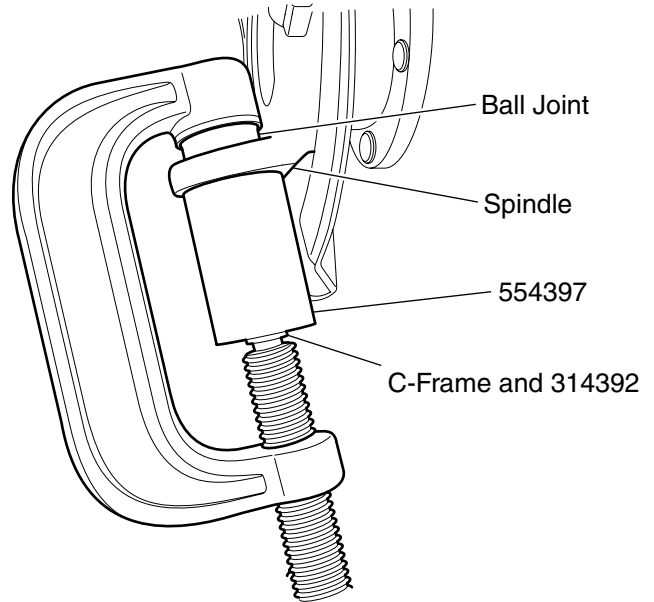


Figure 2. Ball Joint Installation

Component: Lower-Front

Application:

Acura TL 2.5L 1996-1999

REMOVAL:

1. Remove the dust boot and wheel bearing dust ring.
2. Position 554579 on spindle.
3. Position 554399 over the stem of the ball joint.
4. Position C-Frame and 314392 plug.
5. Turn the forcing screw until it meets the ball joint. Check the alignment of all components.
6. Tighten the forcing screw until the ball joint is removed.

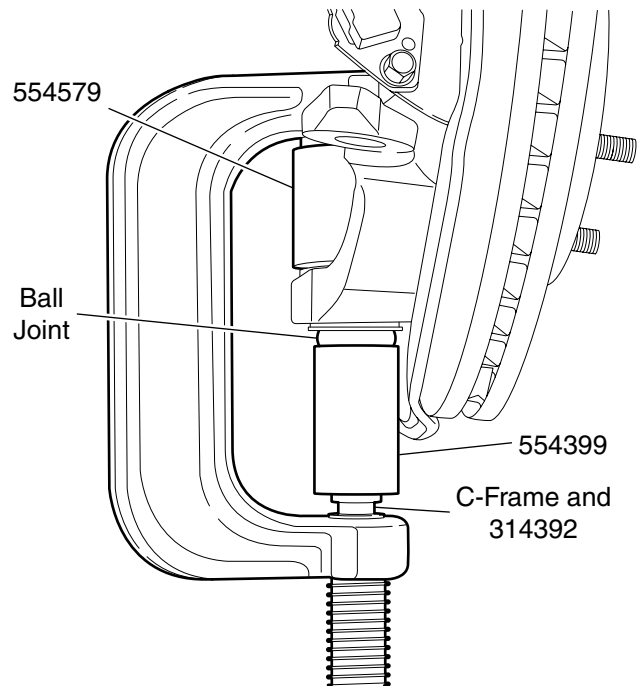


Figure 1. Ball Joint Removal

INSTALLATION:

1. Clean the spindle ball joint bore.
2. Insert the new ball joint as straight as possible into the spindle.
3. Position 554414 and 554397 on the ball joint as shown in Figure 2.
4. Position C-Frame and 314392 plug and tighten the forcing screw.
5. Check the alignment of all the components and continue tightening the forcing screw until the ball joint is firmly seated.

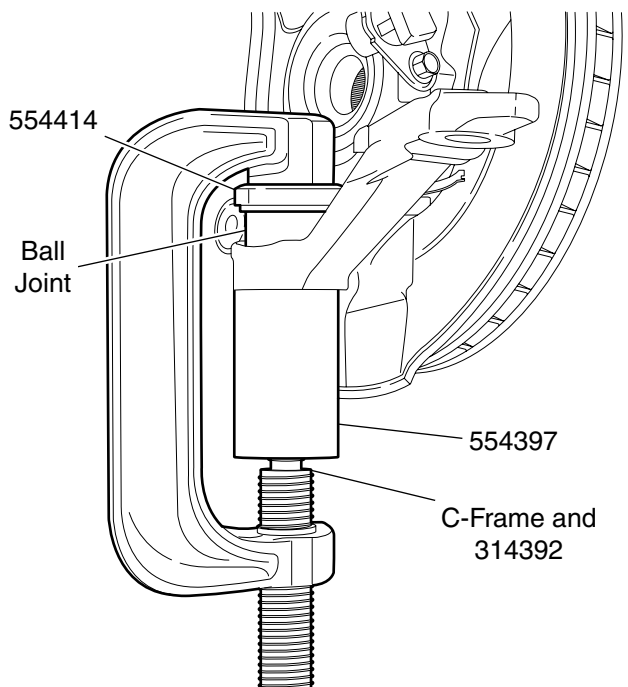


Figure 2. Ball Joint Installation

Component: Lower-Front

Application:

Acura TL 3.2L 1996-1998

REMOVAL:

1. Remove the dust boot and wheel bearing dust ring.
2. Position 554398 on spindle.
3. Position 554399 over the stem of the ball joint.
4. Position C-Frame and 314392 plug.
5. Turn the forcing screw until it meets the ball joint. Check the alignment of all components.
6. Tighten the forcing screw until the ball joint is removed.

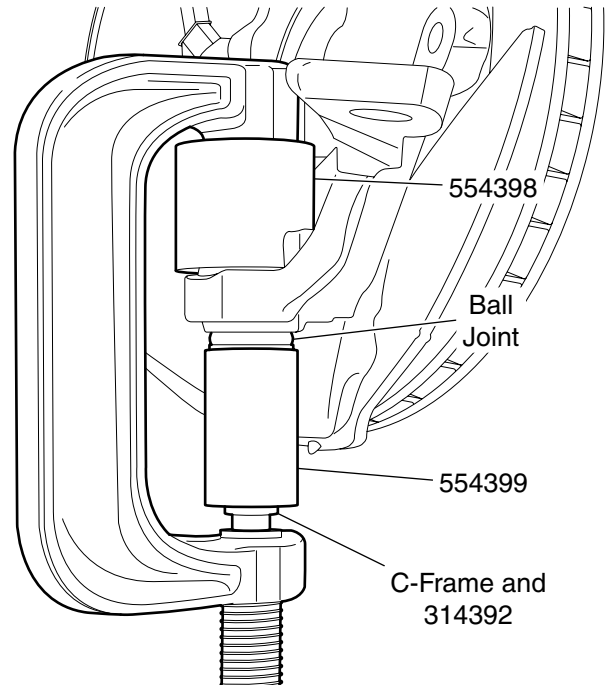


Figure 1. Ball Joint Removal

INSTALLATION:

1. Clean the spindle ball joint bore.
2. Insert the new ball joint as straight as possible into the spindle.
3. Position 554397 on the ball joint as shown in Figure 2.
4. Position C-Frame and 314392 plug and tighten the forcing screw.
5. Check the alignment of all the components and continue tightening the forcing screw until the ball joint is firmly seated.
6. Install wheel bearing dust ring.

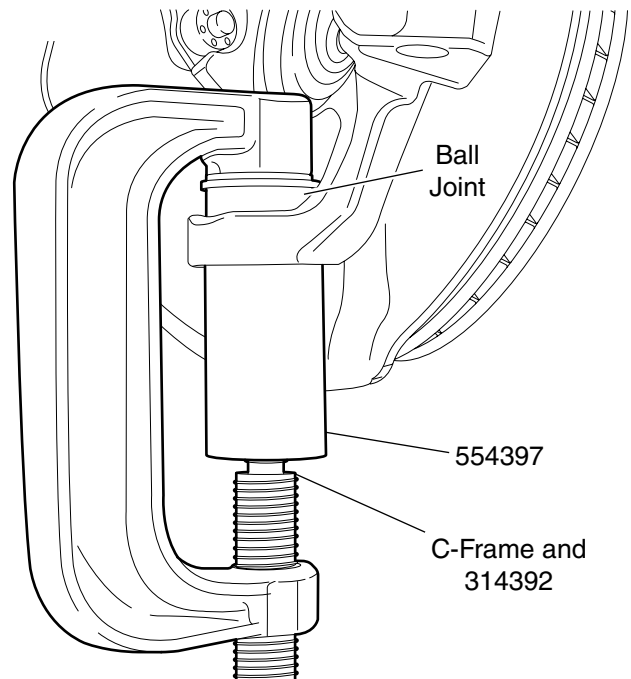


Figure 2. Ball Joint Installation

Component: Lower-Front

Application:

Acura TL 3.2L 2004-2008

REMOVAL:

1. Remove the dust boot and wheel bearing dust ring.
2. Position 554579 on spindle.
3. Position 554399 over the stem of the ball joint.
4. Position C-Frame and 314392 plug.
5. Turn the forcing screw until it meets the ball joint. Check the alignment of all components.
6. Tighten the forcing screw until the ball joint is removed.

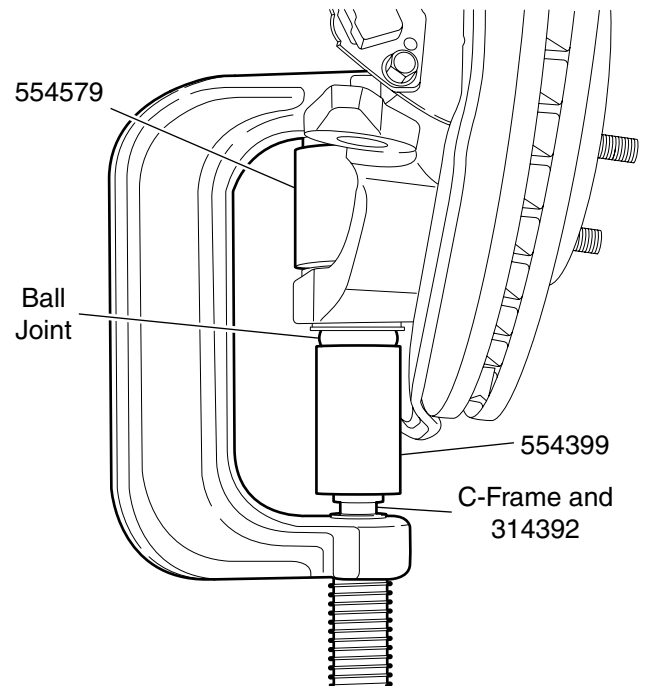


Figure 1. Ball Joint Removal

INSTALLATION:

1. Clean the spindle ball joint bore.
2. Insert the new ball joint as straight as possible into the spindle.
3. Position 38355A and 314428 (or the top of the C-Frame) on the ball joint as shown in Figure 2.
4. Position C-Frame and 314392 plug and tighten the forcing screw.
5. Check the alignment of all the components and continue tightening the forcing screw until the ball joint is firmly seated.
6. Install the dust boot and wheel bearing dust ring.

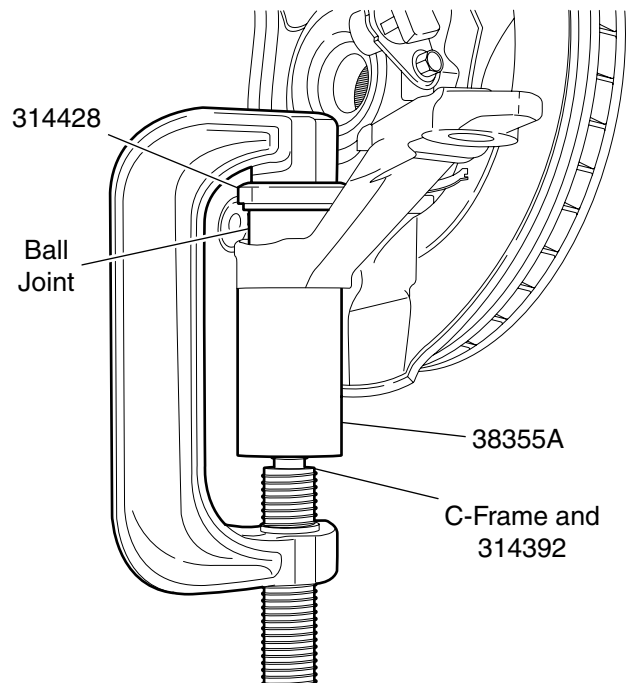


Figure 2. Ball Joint Installation

Component: Lower-Front

Application:

Acura TSX 2004-2008

Honda Accord Hybrid 2005-2006

Honda Accord Sedan & Coupe 2003-2008

REMOVAL:

1. Remove the dust boot and wheel bearing dust ring as shown in Figure 1.

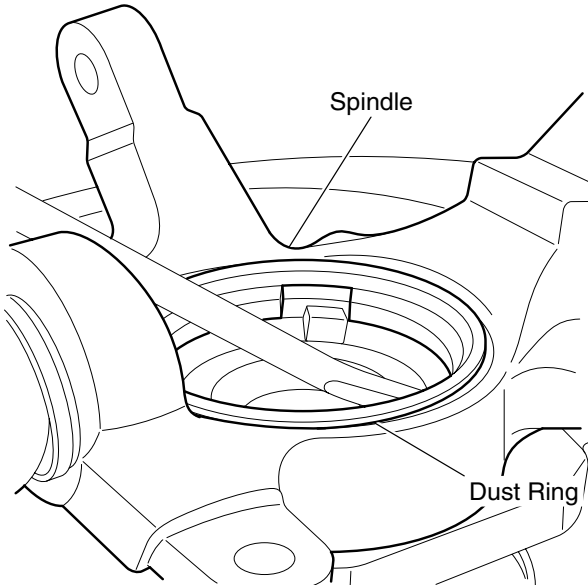


Figure 1. Ball Joint Removal

2. Position 554398 on spindle.
3. Position 554399 over the stem of the ball joint as shown in Figure 2.
4. Position C-Frame and 314392.
5. Turn the forcing screw until it meets the ball joint. Check the alignment of all components.
6. Tighten the forcing screw until the ball joint is removed.

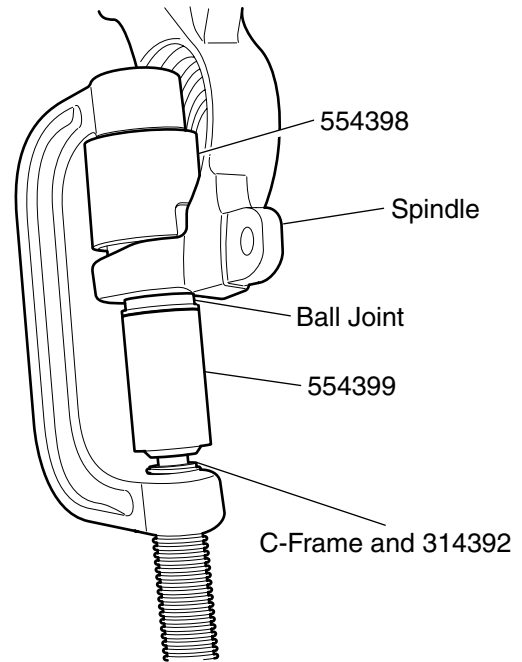


Figure 2. Ball Joint Removal

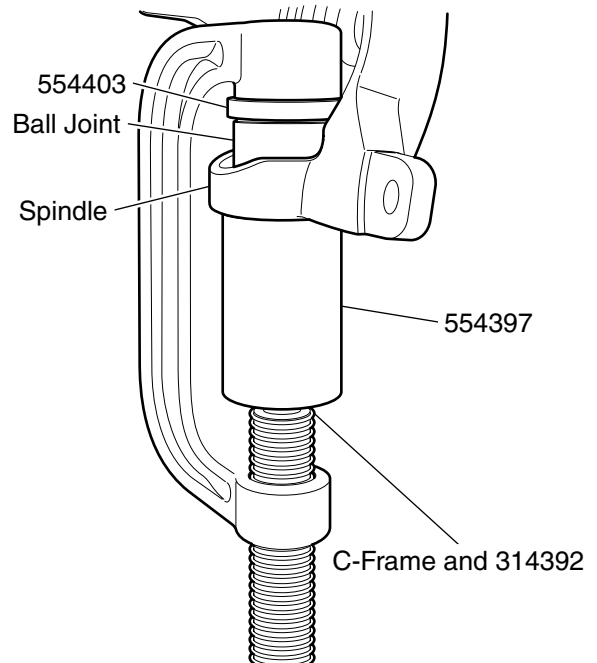


Figure 3. Ball Joint Installation

INSTALLATION:

1. Clean the spindle ball joint bore.
2. Insert the new ball joint as straight as possible into the spindle.
3. Position 554403 and 554397 on the ball joint as shown in Figure 3.
4. Position C-Frame and 314392 and tighten the forcing screw.
5. Check the alignment of all the components and continue tightening the forcing screw until the ball joint is firmly seated.

Component: Upper-Front

Application:

Honda Civic 1992-2000

REMOVAL:

1. Remove the dust boot.
2. Position 305227 and 29505 on the control arm.
3. Position 554420 over the stem of the ball joint.
4. Position C-Frame and 314392.
5. Turn the forcing screw until it meets the ball joint. Check the alignment of all components.
6. Tighten the forcing screw until the ball joint is removed.

Honda Civic Del Sol 1993-1997

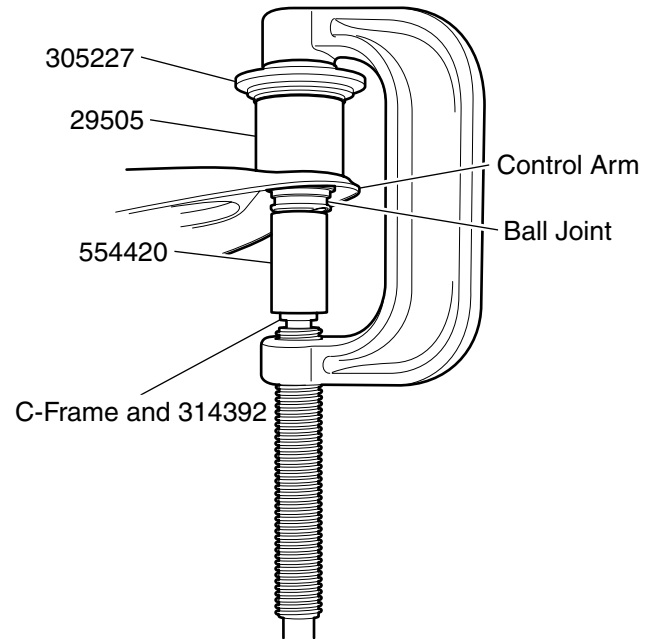


Figure 1. Ball Joint Removal

INSTALLATION:

1. Clean the control arm ball joint bore.
2. Insert the new ball joint as straight as possible into the control arm.
3. Position 554415 and 38355A on the ball joint as shown in Figure 2.
4. Position C-Frame and 314392 and tighten the forcing screw.
5. Check the alignment of all the components and continue tightening the forcing screw until the ball joint is firmly seated.

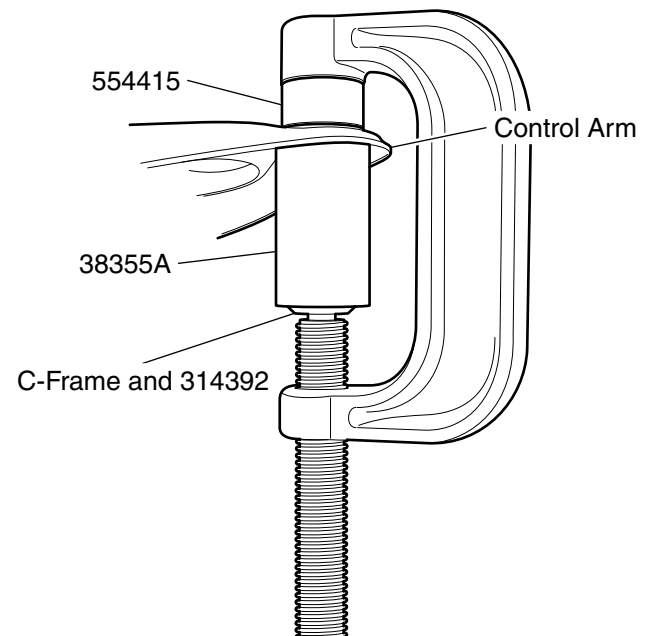


Figure 2. Ball Joint Installation

Component: Lower-Front

Application:

Honda Civic Hatchback 2002-2005

REMOVAL:

1. Remove the dust boot.
2. Position 554398 on spindle.
3. Position 554416 over the stem of the ball joint.
4. Position C-Frame and 314392.
5. Turn the forcing screw until it meets the ball joint. Check the alignment of all components.
6. Tighten the forcing screw until the ball joint is removed.

Honda Civic Hatchback Hybrid 2003-2005

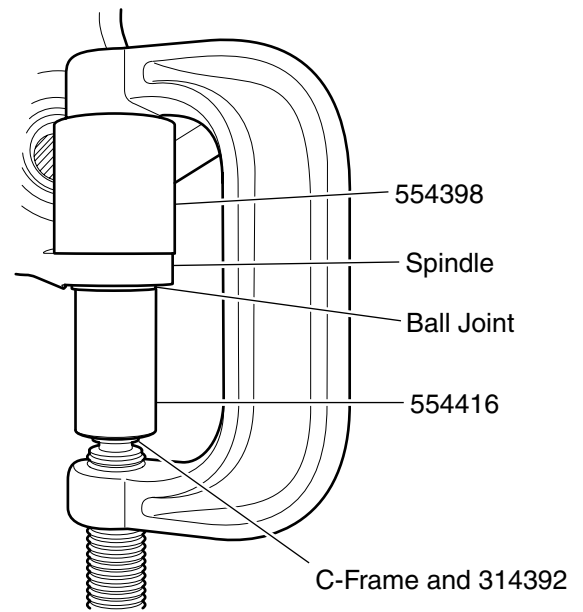


Figure 1. Ball Joint Removal

INSTALLATION:

1. Clean the spindle ball joint bore.
2. Insert the new ball joint as straight as possible into the spindle.
3. Position 554403 and 554397 on the ball joint as shown in Figure 2.
4. Position C-Frame and 314392 and tighten the forcing screw.
5. Check the alignment of all the components and continue tightening the forcing screw until the ball joint is firmly seated.

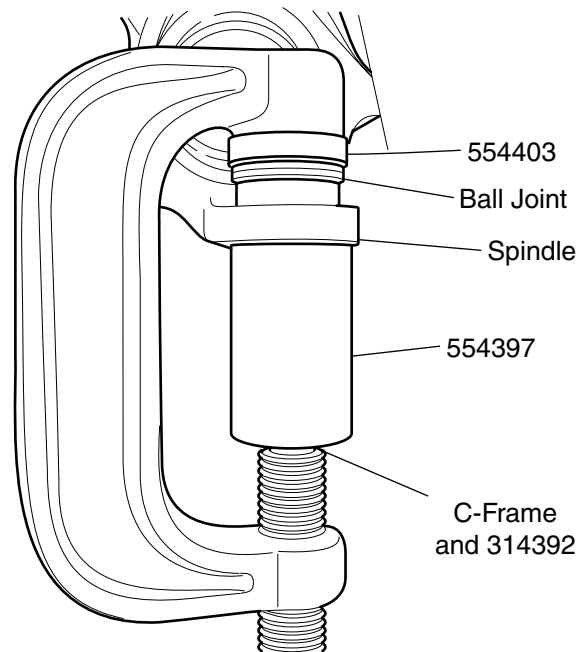


Figure 2. Ball Joint Installation

Component: Lower-Front

Application:

Honda Civic Sedan & Coupe 2001-2005

Honda Civic Sedan & Coupe Hybrid 2003-2005

REMOVAL:

1. Remove the dust boot and wheel bearing dust ring.
2. Position 554416 over the stem of the ball joint.
3. Position 554398 on spindle.
4. Position C-Frame and 314392.
5. Turn the forcing screw until it meets the ball joint. Check the alignment of all components.
6. Tighten the forcing screw until the ball joint is removed.

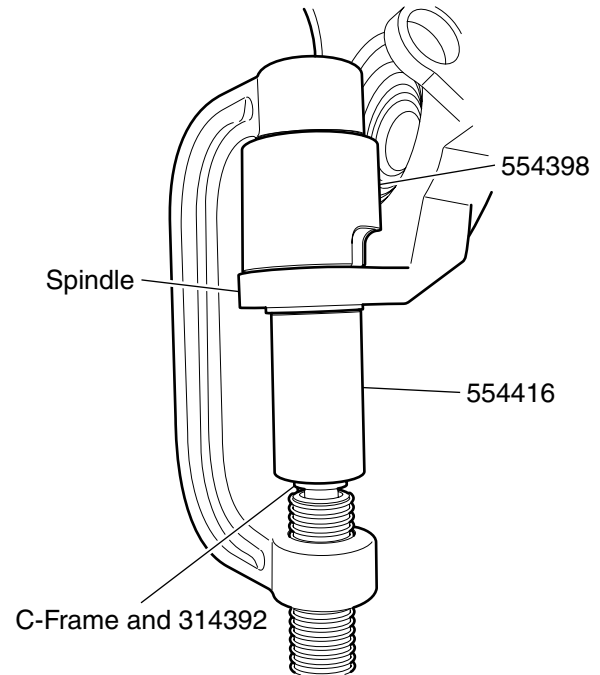


Figure 1. Ball Joint Removal

INSTALLATION:

1. Clean the spindle ball joint bore.
2. Insert the new ball joint as straight as possible into the spindle.
3. Position 554414 and 554397 on the ball joint as shown in Figure 2.
4. Position C-Frame and 314392 and tighten the forcing screw.
5. Check the alignment of all the components and continue tightening the forcing screw until the ball joint is firmly seated.

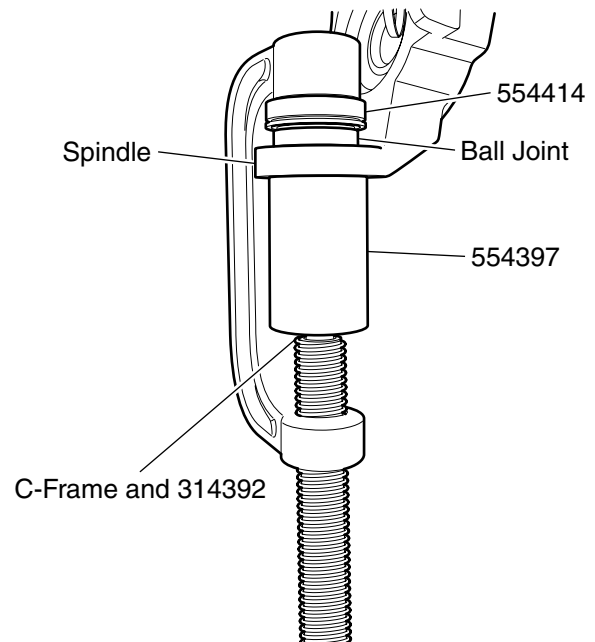


Figure 2. Ball Joint Installation

BRAKE ANCHOR PIN REMOVAL:

1. Remove all lock ring retainers from the brake anchor pins.
2. Position the C-Frame over the brake spider as shown in Figure 1.
3. Tighten the forcing screw until the anchor pin is removed.

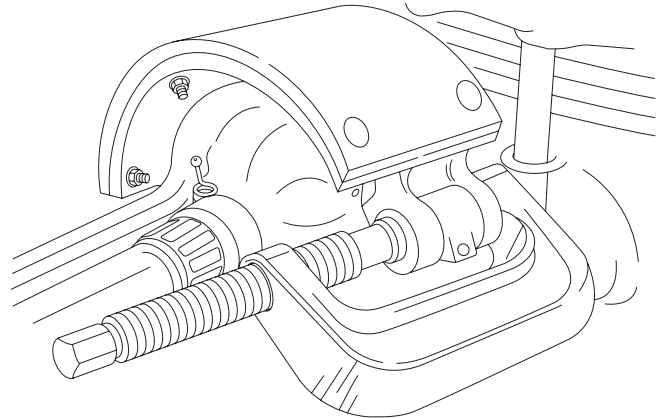


Figure 1. Brake Anchor Pin Removal

U-JOINT DISASSEMBLY AND ASSEMBLY:

The basic C-Frame is used to service the U-Joints on most cars and light trucks. The U-Joints can be serviced either on or off the vehicle.

Disassembly:

1. Remove any external/internal lock rings.
2. Position the C-Frame around the driveshaft yoke. Tighten the forcing screw until the first bearing is removed.
3. Position the C-Frame on the second bearing and tighten the forcing screw until the second bearing is removed.

Assembly:

1. Clean all dirt and oil from the yoke area.
2. Align the new bearing and C-Frame as straight as possible over the yoke. Press the new bearing into the yoke and install the new lock rings.
3. Position the C-Frame and second bearing as straight as possible over the yoke and press the bearing into the yoke and install the new lock rings.

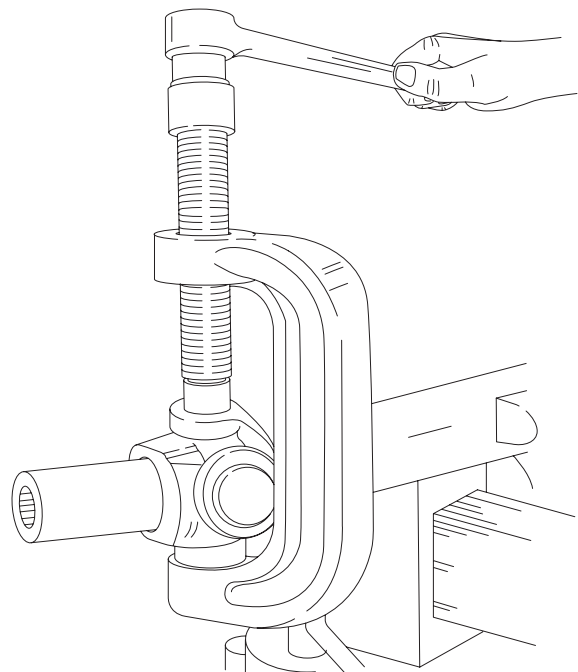


Figure 2. U-Joint Removal and Installation



BALL JOINT QUICK REFERENCE

Make	Model	Year	OEM Kit P/N	Make	Model	Year	OEM Kit P/N
Acura	CL 2.2L	1997	6529-5	Chevrolet	3500 4WD	1996-1999	6539-4
	CL 2.3L	1998-1999	6529-5		Astro 2WD	1985-2005	6539-4
	CL 3.0L	1997-1999	6529-5		Avalanche 1500 2WD/4WD	2002-2008	6539-4
	CL 3.2L	2001-2003	6529-5		Avalanche 2500 2WD/4WD	2002-2006	6539-4
	Integra	1994-2001	6529-5		Blazer 2WD	1982-2005	6539-4
	MDX	2001-2006	6539-1		Camaro	1993-2002	6529-4
	RL 3.5L	1996-2008	6529-5		Caprice	1991-1996	6529-4
	RSX	2002-2006	6529-5		Corvette	1984-2004	6529-4
	TL 2.5L	1996-1999	6529-5		Express 1500	1996-2008	6539-4
	TL 3.2L	1996-2008	6529-5		Express 2500	1996-2008	6539-4
	TSX	2004-2008	6529-5		Express 3500	2003-2008	6539-4
BMW	3 Series (318, 323, 328, M3)	1992-1999	6529-1	G10	1971-1995	6539-4	
Buick	LeSabre	1986-1999	6529-4	G20	1973-1995	6539-4	
	Park Avenue	1991-1997	6529-4	G30	1973-1996	6539-4	
	Rainier	2004-2007	6539-4	Impala	1994-1996	6529-4	
	Roadmaster	1991-1996	6529-4	S-10 2WD	1982-2005	6539-4	
Cadillac	CTS	2003-2008	6529-4	Silverado 1500 2WD/4WD	1999-2007	6539-4	
	DeVille	1996-1999	6529-4	Silverado 1500 HD 2WD/4WD	2001-2007	6539-4	
	Escalade	1999-2007	6539-4	Silverado 2500 & 2500 HD 4WD	1999	6539-4	
	Fleetwood	1991-1996	6529-4	Silverado 2500 2WD	1999-2000	6539-4	
Chevrolet	1500 2WD	1991-2000	6539-4	Silverado 2500 2WD/4WD	2001-2007	6539-4	
	1500 4WD	1996-1999	6539-4	Silverado 2500 4WD	2000	6539-4	
	2500 2WD	1991-2000	6539-4	Silverado 2500 HD 2WD/4WD	2001-2008	6539-4	
	2500 4WD	1996-1999	6539-4	Silverado 3500 2WD/4WD	2001-2008	6539-4	
	30 Motorhome With IFS	1973-1997	6539-4	SSR	2003-2006	6539-4	
	30 Step Van With IFS	1973-1997	6539-4	Suburban 1500 2WD	1992-1999	6539-4	
	3500 2WD With IFS	1991-2000	6539-4	Suburban 1500 2WD/4WD	2000-2008	6539-4	



BALL JOINT QUICK REFERENCE

Make	Model	Year	OEM Kit P/N	Make	Model	Year	OEM Kit P/N
Chevrolet	Suburban 1500 4WD	1996-1999	6539-4	Dodge	Dakota 2WD/4WD	2005-2009	6539-2
	Suburban 2500 2WD	1992-2000	6539-4		Dakota 4x4	1987-2004	6539-2
	Suburban 2500 2WD/4WD	2001-2008	6539-4		Durango 4x2/4x4	2004-2008	6539-2
	Suburban 2500 4WD	1996-2000	6539-4		Durango 4x4	1998-2003	6539-2
	Tahoe 2WD	1995-2000	6539-4		Grand Caravan	1988-2007	6539-2
	Tahoe 2WD/4WD	2001-2008	6539-4		Magnum RWD	2005-2008	6529-2
	Tahoe 4WD	1996-2000	6539-4		Neon	1995-2005	6529-2
	Trailblazer 2WD/4WD	2002-2008	6539-4		Nitro 4x2/4x4	2007-2009	6539-2
	Trailblazer EXT 2WD/4WD	2003-2007	6539-4		Ram 1500 4x2	1994-1999	6539-2
Chrysler	300C RWD	2005-2008	6529-2	Ram 1500 4x2/4x4	2000-2008	6539-2	
	Aspen 2WD/4WD	2007-2008	6539-2	Ram 2500 4x2	1994-2008	6539-2	
	Cirrus	1995-2000	6529-2	Ram 2500 4x4	1994-2008	6539-2	
	Grand Voyager	2000	6539-2	Ram 3500 4x2	1994-2008	6539-2	
	Pacifica FWD/AWD	2005-2008	6539-2	Ram 3500 4x4	1996-2008	6539-2	
	PT Cruiser	2001-2008	6529-2	Ram SRT-10	2004-2006	6539-2	
	Sebring Convertible	1996-2008	6529-2	Ram Van 1500	1995-2003	6539-2	
	Sebring Coupe	2001-2005	6529-2	Ram Van 2500	1995-2003	6539-2	
	Sebring Sedan	1996-2008	6529-2	Ram Van 3500	1995-2003	6539-2	
	Town & Country	1990-2008	6539-2	Ram Van B100	1971-1980	6539-2	
	Voyager	2000-2003	6539-2	Ram Van B150	1981-1994	6539-2	
	Dodge	Avenger	2008	6529-2	Ram Van B200	1971-1980	6539-2
Caliber		2007-2008	6529-2	Ram Van B250	1981-1994	6539-2	
Caravan		1984-2006	6539-2	Ram Van B300	1971-1980	6539-2	
Challenger		2008	6529-2	Ram Van B350	1981-1994	6539-2	
Charger RWD		2005-2008	6529-2	Sprinter 2500	2003-2008	6539-2	
Colt		1984-1994	6539-2	Sprinter 3500	2003-2008	6539-2	
Dakota 2WD		1987-1996	6539-2	Stratus	1995-2008	6529-2	



BALL JOINT QUICK REFERENCE

Make	Model	Year	OEM Kit P/N	Make	Model	Year	OEM Kit P/N
Eagle	2000 GTX (Canada only)	1991-1993	6529-2	Ford	F-350 2WD	1987-1997	6539-3
	Summit	1991-1996	6529-2		F-350 4WD	1992-1997	6539-3
	Talon	1990-1994	6529-2		Fusion	2006-2008	6529-3
Ford	Aerostar 2WD	1986-1997	6539-3		Mustang	1994-2008	6529-3
	Aerostar 4WD	1986-1997	6539-3		Probe	1989-1997	6529-3
	Bronco	1980-1996	6539-3		Ranger 2WD	1989-2008	6539-3
	Bronco II	1984-1990	6539-3		Ranger 2WD/4WD	1998-2008	6539-3
	Crown Victoria	1995-2008	6529-3		Ranger 4WD	1983-1997	6539-3
	E-150	1992-2008	6539-3		Taurus	1996-2007	6529-3
	E-250, E-350, E-450	1996-2008	6539-3		Thunderbird	1989-1997	6529-3
	Escape 2WD/4WD	2001-2008	6539-3	GMC	1500 2WD	1991-2000	6539-4
	Excursion 2WD	2000-2005	6539-3		1500 4WD	1996-1999	6539-4
	Excursion 4WD	2000-2005	6539-3		2500 2WD	1991-2000	6539-4
	Expedition 2WD/4WD	1997-2008	6539-3		2500 4WD	1996-2000	6539-4
	Explorer 2WD/4WD	1995-2008	6539-3		3500 2WD With IFS	1991-2000	6539-4
	Explorer 4WD	1991-1994	6539-3		3500 4WD	1996-2000	6539-4
	Explorer Sport Trac	2007-2008	6539-3		3500 Motorhome With IFS	1973-1997	6539-4
	Explorer/Sport/Sport Trac 2WD/4WD	2001-2005	6539-3		3500 Step Van With IFS	1973-1997	6539-4
	F-150 2WD	1987-1996	6539-3		Envoy 2WD/4WD	2002-2008	6539-4
	F-150 2WD/4WD	1997-2008	6539-3		G1500	1971-1995	6539-4
F-150 4WD	1980-1996	6539-3	G2500		1973-1995	6539-4	
F-150 Heritage and Lightning	2004	6539-3	G3500		1973-1996	6539-4	
F-250 2WD	1987-1997	6539-3	Jimmy 2WD		1982-2002	6539-4	
F-250 4WD	1980-1997	6539-3	S-15 Sonoma 2WD		1982-2004	6539-4	
F-250 4WD (Under 8500 lb. GVW)	1997-1999	6539-3	Safari 2WD		1985-2005	6539-4	
F-250 Super Duty 2WD With Twin I-Beam Axle	1999-2008	6539-3	Savana 1500		1996-2008	6539-4	
F-250, F-350, F-450, F-550 Super Duty 2WD/4WD	1999-2008	6539-3	Savana 2500		1996-2008	6539-4	



BALL JOINT QUICK REFERENCE

Make	Model	Year	OEM Kit P/N	Make	Model	Year	OEM Kit P/N	
GMC	Savana 3500	1996-2008	6539-4	Honda	Civic	1992-2000	6529-5	
	Sierra 1500 2WD/4WD	1999-2007	6539-4		Civic Del Sol	1993-1997	6529-5	
	Sierra 1500 4WD	1999-2007	6539-4		Civic Del Sol	1993-1997	6529-5	
	Sierra 1500 HD 2WD/4WD	2000-2007	6539-4		Civic Hatchback	2002-2005	6529-5	
	Sierra 2500 2WD/4WD	1999-2004	6539-4		Civic Hatchback Hybrid	2003-2005	6529-5	
	Sierra 2500 HD 2WD/4WD	2001-2008	6539-4		Civic Sedan & Coupe	2001-2005	6529-5	
	Sierra 3500 2WD/4WD	2001-2008	6539-4		Civic Sedan & Coupe Hybrid	2003-2005	6529-5	
	Sierra Denali	2002-2007	6539-4		CR-V	1997-2001	6539-1	
	Suburban 1500 2WD	1992-1999	6539-4		CR-V	1997-2001	6539-1	
	Suburban 1500 4WD	1996-1999	6539-4		CR-V	2002-2006	6539-1	
	Suburban 2500 2WD	1992-1999	6539-4		Element	2003-2008	6539-1	
	Suburban 2500 4WD	1996-1999	6539-4		Odyssey	1994-1998	6539-1	
	Yukon	2001-2007	6539-4		Odyssey	1995-1998	6539-1	
	Yukon 2WD	1995-2000	6539-4		Odyssey	1999-2006	6539-1	
	Yukon 4WD	1996-2000	6539-4		Pilot	2003-2006	6539-1	
	Yukon Denali	1999-2000	6539-4		Prelude	1992-1999	6529-5	
	Yukon Denali & Denali XL	2001-2005	6539-4		Hummer	H2	2003-2008	6539-4
	Yukon XL 1500	2000-2007	6539-4		Hyundai	Accent	1995-2005	6529-6
	Yukon XL 2500	2000-2008	6539-4			Elantra	1996-2006	6529-6
				SantaFe		2001-2008	6539-1	
Honda	Accord	1990-1997	6529-5		Sonata	1995-1998	6529-6	
	Accord	1994-1997	6529-5		Tiburon	1997-2008	6529-6	
	Accord Hybrid	2005-2006	6529-5	Infiniti	G20	1991-1996	6529-6	
	Accord Hybrid	2005-2006	6529-5		I30	1996-2001	6529-6	
	Accord Sedan & Coupe	1998-2002	6529-5		I35	2002-2004	6529-6	
	Accord Sedan & Coupe	1998-2008	6529-5		QX56	2004-2006	6539-1	
	Accord Sedan & Coupe	2003-2008	6529-5					
	Civic	1992-2000	6529-5	Isuzu	Ascender 2WD/4WD	2003-2008	6539-1	



BALL JOINT QUICK REFERENCE

Make	Model	Year	OEM Kit P/N	Make	Model	Year	OEM Kit P/N
Isuzu	Hombre 2WD	1996-2000	6539-1	Mazda	B-2300 4WD	1995-1997	6539-3
	Oasis	1996-1999	6539-1		B-2300 4WD With Torsion Bar Suspension	2001	6539-3
Jeep	Cherokee	1990-2001	6539-2		B-2500 2WD With Coil Spring Suspension	1998-2001	6539-3
	Cherokee (RHD)	1996-1998	6539-2		B-2500 2WD/4WD With Torsion Bar Suspension	1998-2001	6539-3
	Commander 2WD/4WD	2006-2009	6539-2		B-2500 4WD With Torsion Bar Suspension	1998-2001	6539-3
	Compass 2WD	2007-2008	6539-2		B-3000 2WD	1994-1996	6539-3
	Compass 4WD	2007-2008	6539-2		B-3000 2WD With Coil Spring Suspension	1998-2004	6539-3
	Grand Cherokee	1993-2004	6539-2		B-3000 2WD With Torsion Bar Suspension	1998-2001	6539-3
	Grand Cherokee 2WD/4WD	2005-2009	6539-2		B-3000 2WD/4WD With Torsion Bar Suspension	1998-2007	6539-3
	Grand Wagoneer	1993-1994	6539-2		B-3000 4WD	1994-1996	6539-3
	Liberty 2WD/4WD	2002-2009	6539-2	B-3000 4WD With Torsion Bar Suspension	1998-2001	6539-3	
	Wrangler	1987-2008	6539-2	B-4000 2WD	1994-1997	6539-3	
Kia	Spectra	2005-2008	6529-6	B-4000 2WD	1994-2004	6539-3	
	Spectra 5	2006-2008	6529-6	B-4000 2WD/4WD With Torsion Bar Suspension	1998-2008	6539-3	
Lincoln	Aviator 2WD/4WD	2003-2005	6539-3	B-4000 4WD	1994-2001	6539-3	
	Blackwood	2002	6539-3	MX-6	1988-1997	6529-3	
	Continental	1995-2002	6529-3	Navajo 2WD	1992-1994	6539-3	
	Mark VIII	1993-1998	6529-3	Navajo 4WD	1991-1994	6539-3	
	MKZ	2007-2008	6529-3	Mercury	Cougar	1989-1997	6529-3
	Navigator 2WD/4WD	1998-2006	6539-3		Grand Marquis	1995-2008	6529-3
	Town Car	1995-2008	6529-3		Marauder	2003-2004	6529-3
	Zephyr	2006	6529-3		Mariner 2WD/4WD	2005-2008	6539-3
Mazda	626	1983-1997	6529-3		Milan	2006-2008	6529-3
	B-2300 2WD	1994-1997	6539-3		Mountaineer	1997-2008	6539-3
	B-2300 2WD	2001-2004	6539-3		Sable	1996-2005	6529-3
	B-2300 2WD/4WD	2001-2004	6539-3		Tribute 2WD/4WD	2008	6539-3
	B-2300 2WD/4WD	2005-2008	6539-3	Tribute 2WD/4WD	2001-2006	6539-3	



BALL JOINT QUICK REFERENCE

Make	Model	Year	OEM Kit P/N	Make	Model	Year	OEM Kit P/N
Mitsubishi	Eclipse	1990-2005	6529-2	Pontiac	Bonneville	1987-1999	6529-4
	Galant	1985-2008	6529-2		Firebird	1993-2002	6529-4
	Mighty Max	1983-1996	6539-2	Saab	9-7x	2005-2008	6529-6
	Raider	2006-2009	6539-2	Toyota	4-Runner	1996-2002	6539-1
Nissan	200SX	1995-1998	6529-6		Echo	2000-2005	6529-6
	240SX	1994-1998	6529-6		Sequoia	2001-2008	6539-1
	300ZX	1990-1996	6529-6		Tacoma	2005-2008	6539-1
	Altima	1993-2001	6529-6		Tacoma 4WD	1995-2004	6539-1
	Armada	2005-2008	6539-1		Tacoma Prerunner 2WD	1995-2004	6539-1
	D21 Pickup 2WD	1991-1997	6539-1		Tundra	2000-2006	6539-1
	Frontier	1998-2008	6539-1				
	Maxima	1995-2003	6529-6				
	Pathfinder	2005-2008	6539-1				
	Sentra	1991-2006	6529-6				
Titan	2004-2008	6539-1					
Versa	2007-2008	6529-6					
Xterra	2000-2008	6539-1					
Oldsmobile	88	1985-1999	6529-4				
	98	1985-1996	6529-4				
	Bravada 2WD/4WD	2002-2004	6539-4				
	LSS	1996-1999	6529-4				
	Regency	1997-1998	6529-4				
Plymouth	Breeze	1995-2000	6529-2				
	Grand Voyager	1988-2000	6539-2				
	Laser	1990-1994	6529-2				
	Neon	1995-2001	6529-2				
	Voyager	1984-2003	6539-2				