

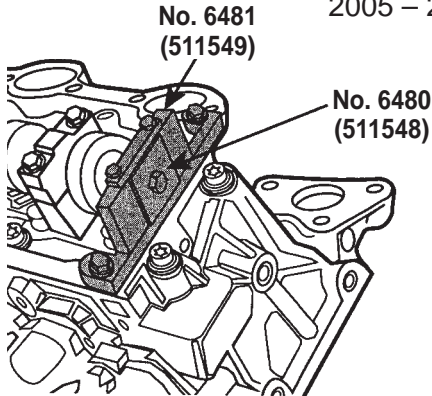


Operating Instructions
for:

6480
(511548)

Ford Camshaft Holding Tool Adapter

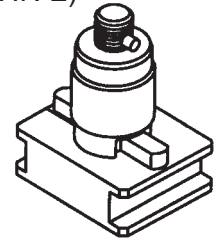
Application: 1997 – 2011 4.0L SOHC Explorer (V6), Mountaineer (V6), Ranger (VIN E)
1997 – 2008 4.0L SOHC Explorer, Mountaineer, Ranger (VIN X)
2005 – 2010 4.0L SOHC Mustang (VIN N)



NOTE:

- Same as Ford No. 303-576 (T97T-6256-D).
- This tool is used with No. 6481 (511549) Ford Camshaft Holding Tool.

1. Install tool Nos. 6480 (511548) and 6481 (511549) on the camshaft as shown.
2. Secure tool No. 6481 (511549) to the cylinder head.
3. Service the timing chain as required according to instructions in the vehicle service manual.
4. Torque fasteners to factory specifications.



WARNING: Wear eye protection that meets ANSI Z87.1 and OSHA standards.